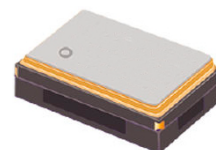


# Programmable - High Performance SMD XO & VCXO (LVPECL Output)



2.5 x 2.0 x 1.0 mm

**ASG2-P**



Moisture Sensitivity Level (MSL) – 1

## FEATURES:

- +2.5V or +3.3V operation
- -40°C to +85°C standard operating temperature range
- Miniature size 2.5 x 2.0 x 1.0 mm Ceramic SMT Package
- Short lead time

## APPLICATIONS:

- Networking
- SONET/SDH
- WiMax / WLAN
- Computing
- Phase Locked Loops
- Direct Digital Synthesis (DDS)
- DSL/ADSL
- Base Terminal Stations

## STANDARD SPECIFICATIONS:

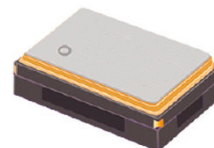
Parameters		Minimum	Typical	Maximum	Units	Notes
Frequency Range		8		1500	MHz	
Operating Temperature		-40		+85	°C	
Storage Temperature		-55		+125	°C	
Overall Frequency Stability		-50		+50	ppm	<i>See Note # 1</i>
Initial Tolerance + Stability over operating temperature		-35.00		+35.00	ppm	
Supply Voltage (V <sub>dd</sub> )	V <sub>dd</sub> = 3.3V	3.135	3.300	3.465	V	
	V <sub>dd</sub> = 2.5V	2.375	2.500	2.625	V	
Input Current				65	mA	Frequency dependent
LVPECL Output (OUT & OUT)	Output High Voltage	V <sub>dd</sub> - 1.025			V	50Ω nominal load
	Output Low Voltage			V <sub>dd</sub> - 1.62	V	50Ω nominal load
	Duty Cycle	45		55	%	@V <sub>dd</sub> -1.3V
	Rise Time			600	ps	80%/20%
	Fall Time			600	ps	80%/20%
Enable/Disable Function :		"1" (V <sub>IH</sub> ≥ 0.7*V <sub>dd</sub> ) or Open: Oscillation "0" (V <sub>IL</sub> < 0.3*V <sub>dd</sub> ) : High Z				
Control Voltage Range		0		V <sub>dd</sub>	V	For VCXO Only
Absolute Pull Range		±35			ppm	For VCXO Only
Control Port Bandwidth		10			kHz	For VCXO Only
Linearity				15	%	For VCXO Only
Slope		Positive				For VCXO Only
Phase jitter RMS (12kHz to 20MHz offset)			1.0	1.8	ps	<i>See Note #2</i>

**Note #1:** Inclusive of initial tolerance at 25°C±3°C, operating temperature range, input voltage variation, load variation & 15 years aging at 25°C.

**Note #2:** The rms jitter integrated over 12kHz to 20MHz Bandwidth is dependent on the carrier and whether or not the final frequency is achieved without engaging the Fractional Mode



# Programmable - High Performance SMD XO & VCXO (LVPECL Output)



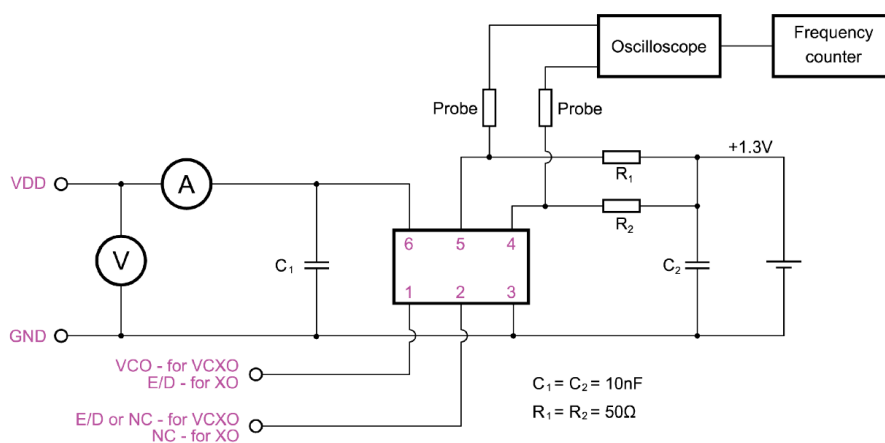
2.5 x 2.0 x 1.0 mm

ASG2-P

ESD Sensitive

RoHS / RoHS II Compliant

## TEST CIRCUIT



## OPTIONS & PART IDENTIFICATION:

ASG2 - P -  -  -  MHz -

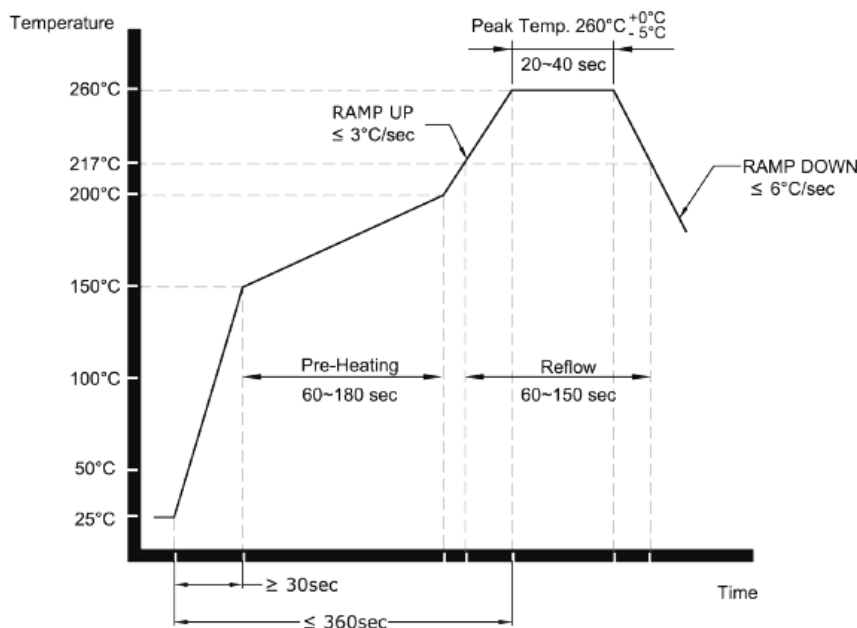
Fixed or Pull-able
X = Fixed Oscillator
V = VCXO

Operating Voltage
3.30V = A
2.50V = B

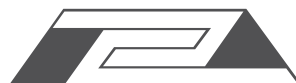
Frequency in MHz
Please specify the Frequency in MHz e.g. 100.000 MHz

Packaging
Blank = Bulk
T = Tape & Reel

## RECOMMENDED REFLOW PROFILE



ABRACON IS  
ISO9001:2008  
CERTIFIED

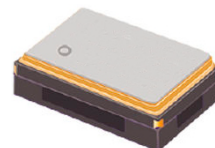


**ABRACON  
CORPORATION**

Visit [www.abracon.com](http://www.abracon.com) for Terms & Conditions of Sale  
30332 Esperanza, Rancho Santa Margarita, California 92688  
tel 949-546-8000 | fax 949-546-8001 | [www.abracon.com](http://www.abracon.com)

Revised: 07.01.14

# Programmable - High Performance SMD XO & VCXO (LVPECL Output)



2.5 x 2.0 x 1.0 mm

ASG2-P

ESD Sensitive

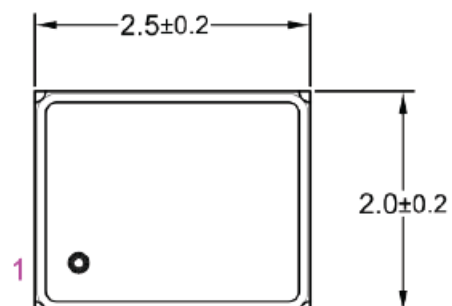
RoHS / RoHS II Compliant

## OUTLINE DIMENSION:

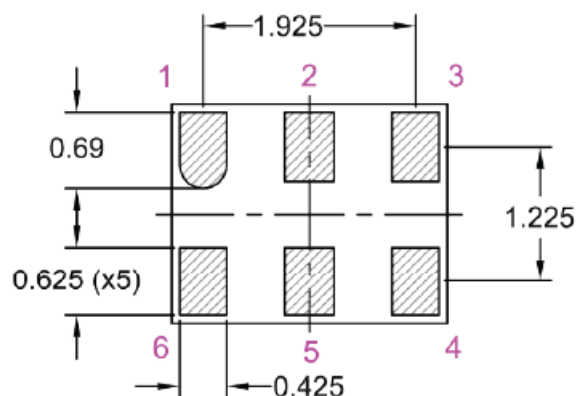
Pin #	Pin Description For VCXO configuration
1	Voltage Control for VCXO
2	Output Enable (OE) <i>or</i> No Connect (N/C)
3	GND
4	RF Output
5	Complimentary Output
6	Vdd

Pin #	Pin Description For XO configuration
1	Output Enable (OE)
2	No Connect (N/C) for XO
3	GND
4	RF Output
5	Complimentary Output
6	Vdd

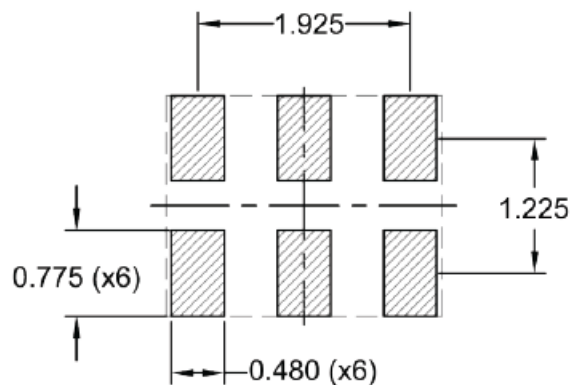
Top View



Bottom View



Recommended Land Pattern



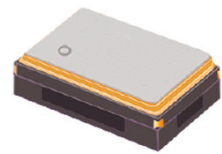
Side View



Dimensions: mm



# Programmable - High Performance SMD XO & VCXO (LVPECL Output)



2.5 x 2.0 x 1.0 mm

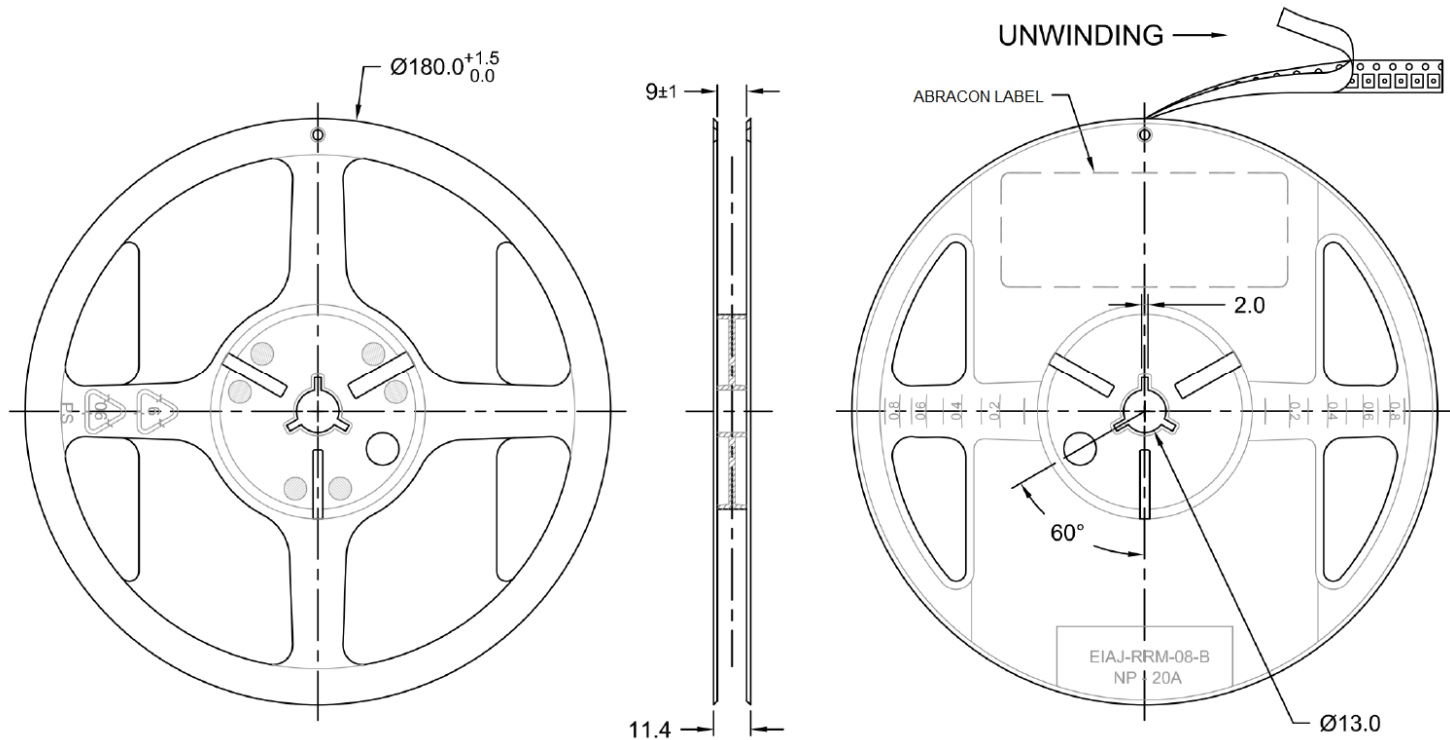
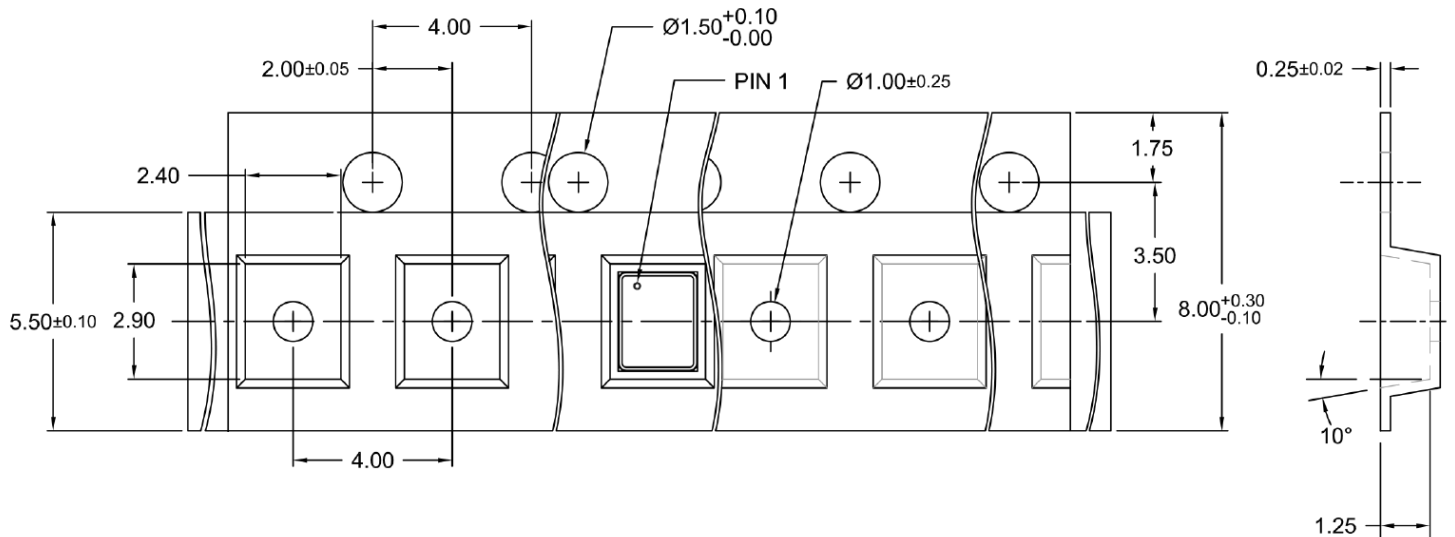
ASG2-P

 **ESD Sensitive**

 **RoHS / RoHS II Compliant**

## TAPE & REEL:

T= Tape and reel (3,000pcs/reel)



**Dimensions: mm**

**ATTENTION:** Abracon Corporation's products are COTS – Commercial-Off-The-Shelf products; suitable for Commercial, Industrial and, where designated, Automotive Applications. Abracon's products are not specifically designed for Military, Aviation, Aerospace, Life-dependant Medical applications or any application requiring high reliability where component failure could result in loss of life and/or property. For applications requiring high reliability and/or presenting an extreme operating environment, written consent and authorization from Abracon Corporation is required. Please contact Abracon Corporation for more information.

ABRACON IS  
ISO9001:2008  
CERTIFIED



**ABRACON  
CORPORATION**

Visit [www.abracon.com](http://www.abracon.com) for Terms & Conditions of Sale  
30332 Esperanza, Rancho Santa Margarita, California 92688  
tel 949-546-8000 | fax 949-546-8001 | [www.abracon.com](http://www.abracon.com)

**Revised: 07.01.14**

# Mouser Electronics

Authorized Distributor

Click to View Pricing, Inventory, Delivery & Lifecycle Information:

## ABRACON:

[ASG2-P-X-A-120.000MHz](#) [ASG2-P-X-A-120.000MHz-T](#) [ASG2-P-X-B-120.000MHz](#) [ASG2-P-X-B-120.000MHz-T](#)  
[ASG2-P-V-A-120.000MHz](#) [ASG2-P-V-A-120.000MHz-T](#) [ASG2-P-V-B-120.000MHz](#) [ASG2-P-V-B-120.000MHz-T](#)  
[ASG2-P-X-A-320.000MHz](#) [ASG2-P-X-A-320.000MHz-T](#) [ASG2-P-X-B-320.000MHz](#) [ASG2-P-X-B-320.000MHz-T](#)  
[ASG2-P-V-A-320.000MHz](#) [ASG2-P-V-A-320.000MHz-T](#) [ASG2-P-V-B-320.000MHz](#) [ASG2-P-V-B-320.000MHz-T](#)  
[ASG2-P-X-A-500.000MHz](#) [ASG2-P-X-A-500.000MHz-T](#) [ASG2-P-X-B-500.000MHz](#) [ASG2-P-X-B-500.000MHz-T](#)  
[ASG2-P-V-A-500.000MHz](#) [ASG2-P-V-A-500.000MHz-T](#) [ASG2-P-V-B-500.000MHz](#) [ASG2-P-V-B-500.000MHz-T](#)  
[ASG2-P-X-A-644.53125MHz](#) [ASG2-P-X-A-644.53125MHz-T](#) [ASG2-P-X-B-644.53125MHz](#) [ASG2-P-X-B-](#)  
[644.53125MHz-T](#) [ASG2-P-V-A-644.53125MHz](#) [ASG2-P-V-A-644.53125MHz-T](#) [ASG2-P-V-B-644.53125MHz](#) [ASG2-P-](#)  
[V-B-644.53125MHz-T](#) [ASG2-P-X-A-698.812334MHz](#) [ASG2-P-X-A-698.812334MHz-T](#) [ASG2-P-X-B-698.812334MHz](#)  
[ASG2-P-X-B-698.812334MHz-T](#) [ASG2-P-V-A-698.812334MHz](#) [ASG2-P-V-A-698.812334MHz-T](#) [ASG2-P-V-B-](#)  
[698.812334MHz](#) [ASG2-P-V-B-698.812334MHz-T](#) [ASG2-P-X-A-1000.000MHz](#) [ASG2-P-X-A-1000.000MHz-T](#) [ASG2-P-](#)  
[X-B-1000.000MHz](#) [ASG2-P-X-B-1000.000MHz-T](#) [ASG2-P-V-A-1000.000MHz](#) [ASG2-P-V-A-1000.000MHz-T](#) [ASG2-P-](#)  
[V-B-1000.000MHz](#) [ASG2-P-V-B-1000.000MHz-T](#)