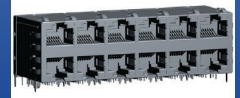


# RJ45 2x6 Multiport 100/1000/2.5G/5G Base-T



ARJM26



87.0 x 28.1 x 25.5 mm  
 UL Certification Number: E503350  
 RoHS/RoHS II Compliant  
 MSL = 1

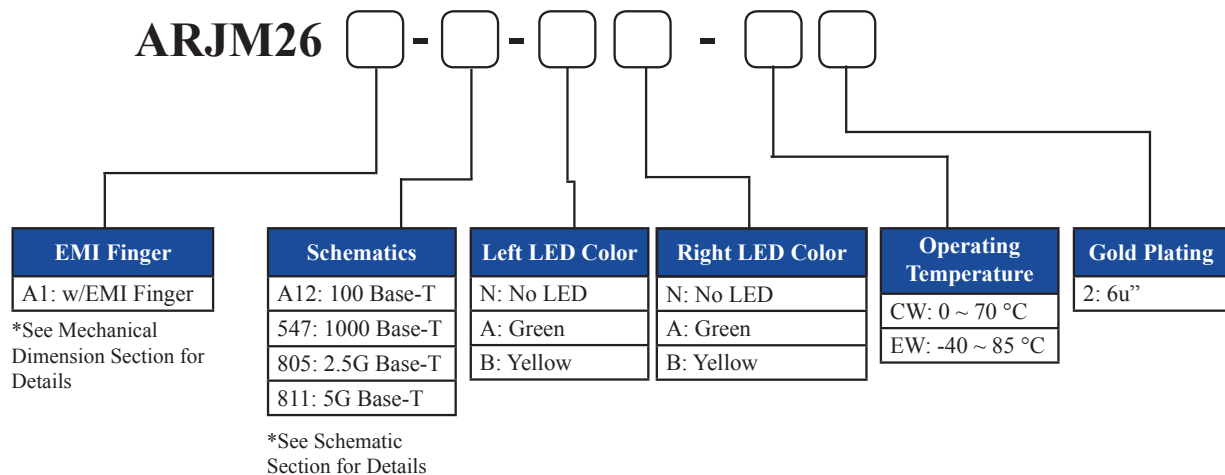
## Features

- IEEE 802.3 compliant and UL certified
- High performance integrated magnetics for EMI suppression
- Suitable for CAT5 and CAT6 UTP cabling
- RoHS peak wave solder temperature rating 265°C
- Extended operating temperature -40 to 85°C option

## Applications

- 10, 100, 1000, 2.5G and 5G Base-T Ethernet
- Servers, switches and routers

## Options and Part Identification



### Example Configurations

**ARJM26 A1-547 -AB- CW2**

(2 x 6, w/ EMI, 1000Base-T, w/LED G/Y, commercial grade, 6µ" Gold)

\*For additional schematics, gold plating, and LED configurations, contact Abracon Sales.



5101 Hidden Creek Ln Spicewood TX 78669  
 Phone: 512-371-6159 | Fax: 512-351-8858  
 For terms and conditions of sales, please visit:  
[www.abracon.com](http://www.abracon.com)

REVISED: 01.28.2019

ABRACON IS  
 ISO9001-2015  
 CERTIFIED

# RJ45 2x6 Multiport 100/1000/2.5G/5G Base-T



ARJM26



87.0 x 28.1 x 25.5 mm  
 UL Certification Number: E503350  
 RoHS/RoHS II Compliant  
 MSL = 1

## Electrical Specifications

| Parameters               | Minimum | Typical | Maximum              | Units              | Notes                               |
|--------------------------|---------|---------|----------------------|--------------------|-------------------------------------|
| Turn Ratio ( $\pm 3\%$ ) | 1CT:1CT |         |                      |                    | 100kHz, 0.1V                        |
| Inductance               | 350     |         |                      | $\mu\text{H}$      | 100kHz, 0.1V, 8mADC                 |
|                          | 200     |         |                      |                    | For 2.5G Base-T only                |
|                          | 160     |         |                      |                    | For 5G Base-T only                  |
| Leakage Inductance       |         |         | 0.5                  | $\mu\text{H}$      | 100kHz, 0.1V                        |
|                          |         |         | 0.3                  |                    | For 2.5G Base-T and 5G Base-T       |
| DC Resistance            |         |         | 1.5                  | $\Omega$           |                                     |
| Hipot                    | 2250    |         |                      | VDC                | 1mA Max<br>Complies with IEEE 802.3 |
| Operating Temperature    | -40     |         | +85                  | $^{\circ}\text{C}$ | See options                         |
| Storage Temperature      | -40     |         | +85                  | $^{\circ}\text{C}$ |                                     |
| <b>100 Base-T</b>        |         |         |                      |                    |                                     |
| Insertion Loss           | -1.1    |         |                      | dB                 | 0.5-100MHz                          |
| Return Loss              |         |         | -18                  | dB                 | 0.5-30MHz                           |
|                          |         |         | $-18+20\log(f/30)^*$ |                    | 30.1-60MHz                          |
|                          |         |         | -12                  |                    | 60.1-80MHz                          |
| Crosstalk                |         |         | -35                  | dB                 | 0.5-40MHz                           |
|                          |         |         | $-33+20\log(f/50)^*$ |                    | 40.1-100MHz                         |
| CMRR                     |         |         | -30                  | dB                 | 0.5-100MHz                          |
| <b>1000 Base-T</b>       |         |         |                      |                    |                                     |
| Insertion Loss           | -1.1    |         |                      | dB                 | 0.5-100MHz                          |
| Return Loss              |         |         | -18                  | dB                 | 0.5-40MHz                           |
|                          |         |         | $-12+20\log(f/80)^*$ |                    | 40.1-100MHz                         |
| Crosstalk                |         |         | -35                  | dB                 | 0.5-40MHz                           |
|                          |         |         | $-33+20\log(f/50)^*$ |                    | 40.1-100MHz                         |
| CMRR                     |         |         | -30                  | dB                 | 0.5-100MHz                          |
| <b>2.5G Base-T</b>       |         |         |                      |                    |                                     |
| Insertion Loss           | -0.5    |         |                      | dB                 | 1-50MHz                             |
|                          | -1.0    |         |                      |                    | 50-125MHz                           |
| Return Loss              |         |         | -20                  | dB                 | 1-40MHz                             |
|                          |         |         | $-20+15\log(f/40)^*$ |                    | 40-200MHz                           |
| Crosstalk                |         |         | -30                  | dB                 | 25-125MHz                           |
| <b>5G Base-T</b>         |         |         |                      |                    |                                     |
| Insertion Loss           | -0.5    |         |                      | dB                 | 1-50MHz                             |
|                          | -1.0    |         |                      |                    | 50-125MHz                           |
|                          | -2.0    |         |                      |                    | 125-250MHz                          |
| Return Loss              |         |         | -20                  | dB                 | 1-40MHz                             |
|                          |         |         | $-20+15\log(f/40)^*$ |                    | 40-250MHz                           |
| Crosstalk                |         |         | -30                  | dB                 | 1-125MHz                            |
|                          |         |         | -25                  |                    | 125-250MHz                          |

\*f represents the test frequency specified in MHz

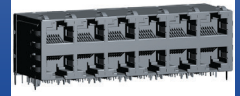


5101 Hidden Creek Ln Spicewood TX 78669  
 Phone: 512-371-6159 | Fax: 512-351-8858  
 For terms and conditions of sales, please visit:  
[www.abracon.com](http://www.abracon.com)

REVISED: 01.28.2019

ABRACON IS  
 ISO9001-2015  
 CERTIFIED

# RJ45 2x6 Multiport 100/1000/2.5G/5G Base-T



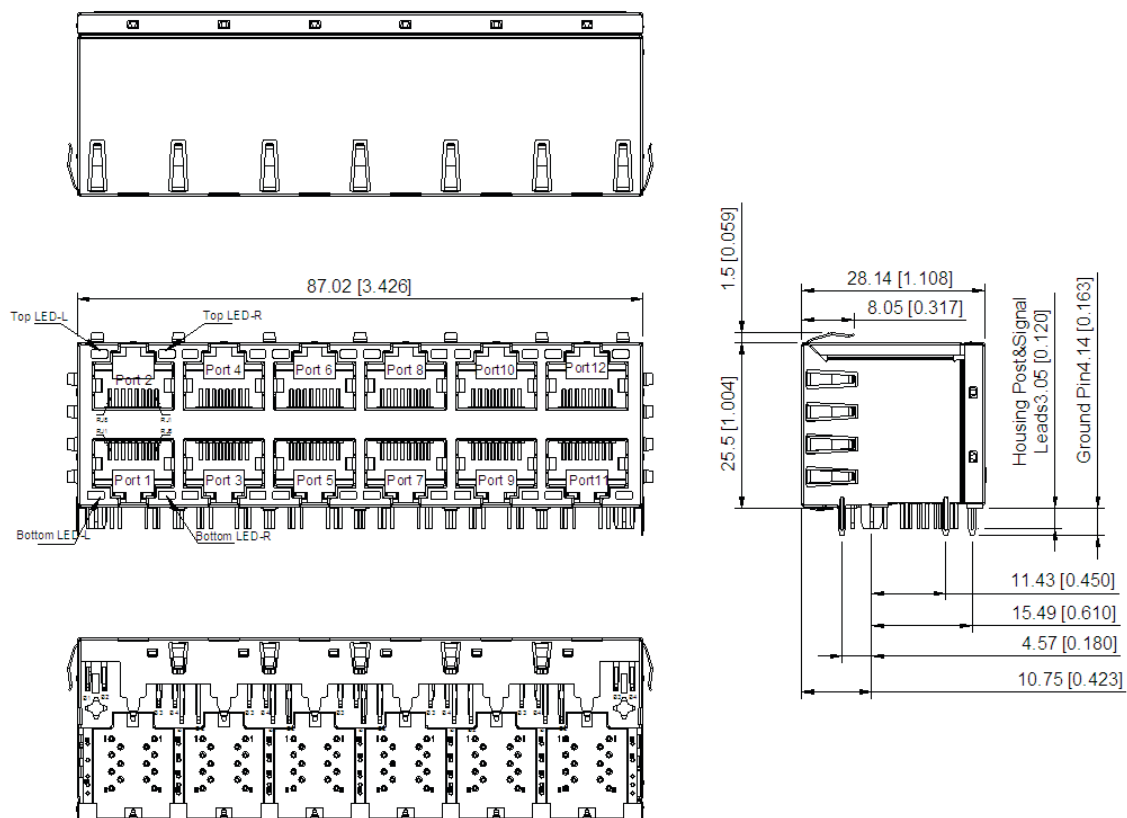
ARJM26



87.0 x 28.1 x 25.5 mm  
UL Certification Number: E503350  
RoHS/RoHS II Compliant  
MSL = 1

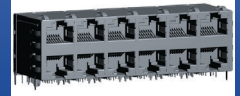
## Mechanical Dimensions

A1: 2 x 6, w/ EMI Fingers



Dimensions: mm[inch] (Unless otherwise specified, all tolerances are  $\pm 0.25$ [0.010])

# RJ45 2x6 Multiport 100/1000/2.5G/5G Base-T



ARJM26

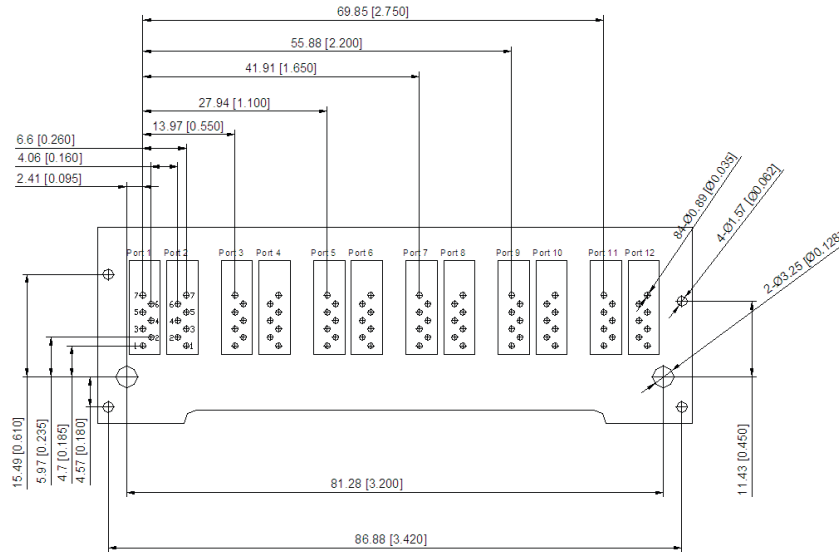


87.0 x 28.1 x 25.5 mm  
 UL Certification Number: E503350  
 RoHS/RoHS II Compliant  
 MSL = 1

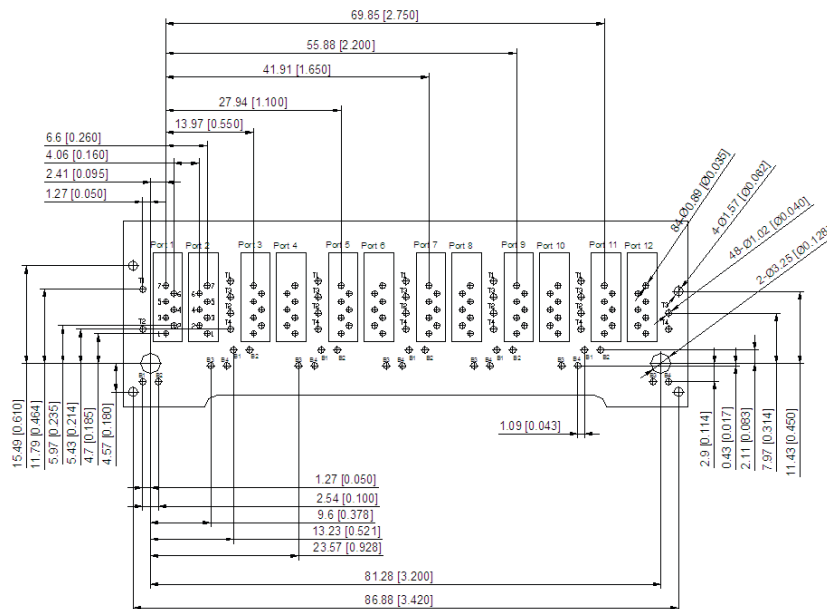
## Mechanical Dimensions

### Recommended Land Pattern

#### 8 Pins, no LED For 100 Base-T

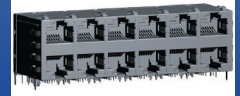


#### 8 Pins, w/ LED For 100 Base-T



Dimensions: mm[inch]

# RJ45 2x6 Multiport 100/1000/2.5G/5G Base-T



ARJM26

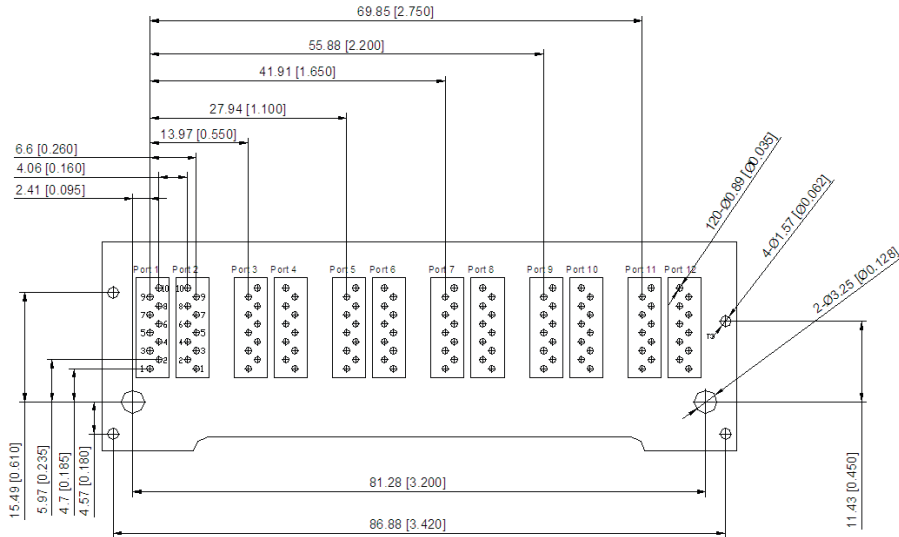


87.0 x 28.1 x 25.5 mm  
 UL Certification Number: E503350  
 RoHS/RoHS II Compliant  
 MSL = 1

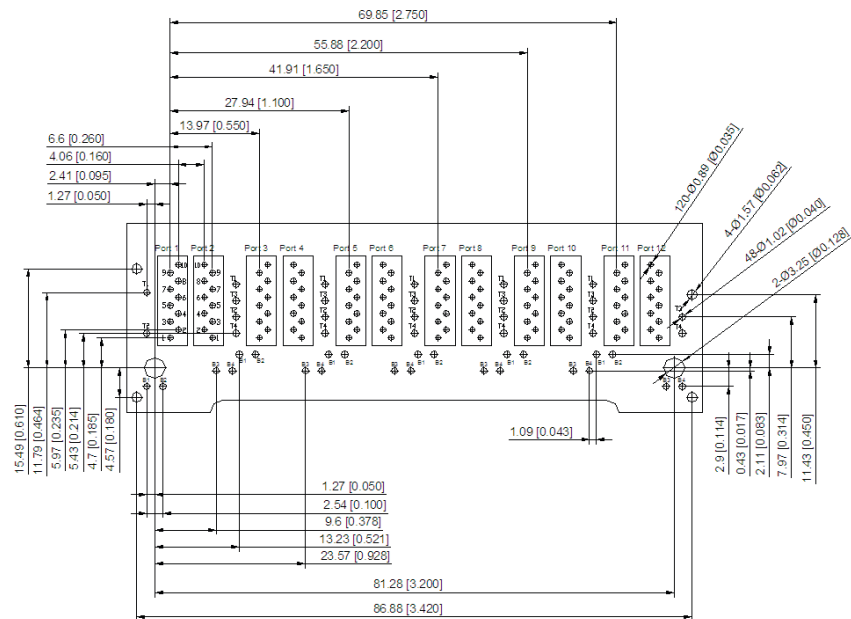
## Mechanical Dimensions

### Recommended Land Pattern

10 Pins, no LED  
 For 1000/2.5G/5G Base-T



10 Pins, w/ LED  
 For 1000/2.5G/5G Base-T



Dimensions: mm[inch]

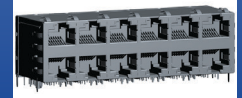


5101 Hidden Creek Ln Spicewood TX 78669  
 Phone: 512-371-6159 | Fax: 512-351-8858  
 For terms and conditions of sales, please visit:  
[www.abracon.com](http://www.abracon.com)

REVISED: 01.28.2019

ABRACON IS  
 ISO9001-2015  
 CERTIFIED

# RJ45 2x6 Multiport 100/1000/2.5G/5G Base-T



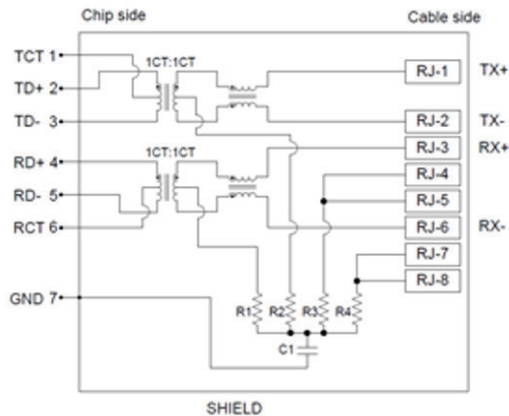
ARJM26



87.0 x 28.1 x 25.5 mm  
 UL Certification Number: E503350  
 RoHS/RoHS II Compliant  
 MSL = 1

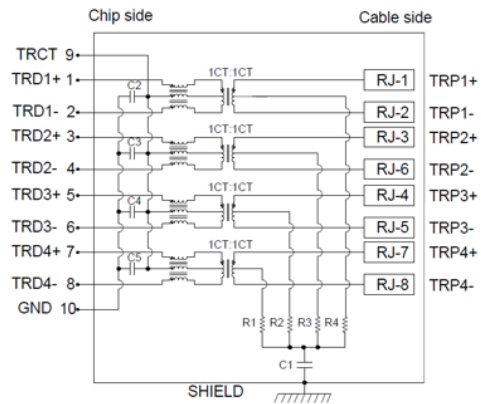
## Schematic

A12 (100 Base-T)



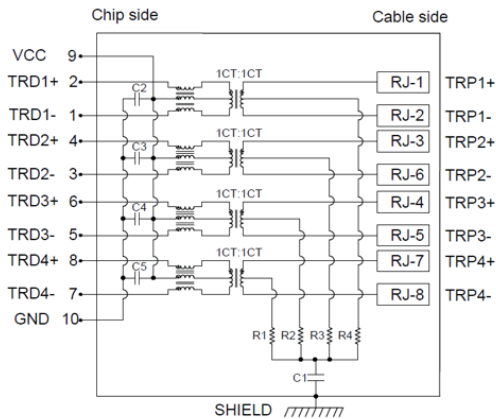
Note:  
 R1-R4=75 OHMS, Resistors.  
 C1=2KV 1000pF, Capacitor.

805 (2.5G Base-T)



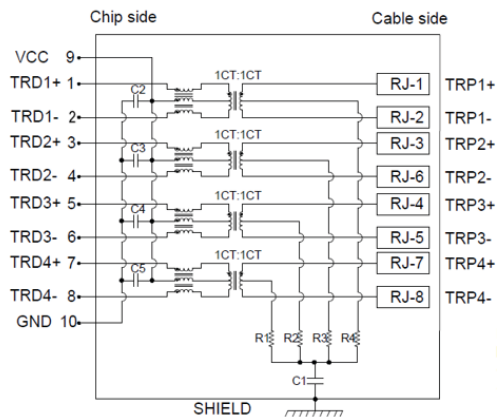
Note:  
 R1-R4=75 OHMS, Resistors.  
 C1=2KV 1000pF, Capacitor.  
 C2-C5=100V 100nF, Capacitor.

547 (1000 Base-T)



Note:  
 R1-R4=75 OHMS, Resistors.  
 C1=2KV 1000pF, Capacitor.  
 C2-C5=50V 470pF, Capacitor.

811 (5G Base-T)



Note:  
 R1-R4=75 OHMS, Resistors.  
 C1=2KV 1000pF, Capacitor.  
 C2-C5=50V 100nF, Capacitor.

Contact Abracon Sales for additional configurations.

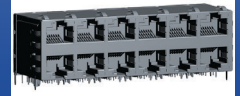


5101 Hidden Creek Ln Spicewood TX 78669  
 Phone: 512-371-6159 | Fax: 512-351-8858  
 For terms and conditions of sales, please visit:  
[www.abracon.com](http://www.abracon.com)

REVISED: 01.28.2019

ABRACON IS  
 ISO9001-2015  
 CERTIFIED

# RJ45 2x6 Multiport 100/1000/2.5G/5G Base-T



ARJM26



87.0 x 28.1 x 25.5 mm  
UL Certification Number: E503350  
RoHS/RoHS II Compliant  
MSL = 1

## Materials

### Housing:

Material:  
PBT, UL94V-0  
Standard Color: Black

### Insert:

Material:  
PBT, UL94V-0  
Contact Material: Phosphor Bronze  
Plating (1): Nickel  
Plating (2): Gold, 6u"

### Metal Shell:

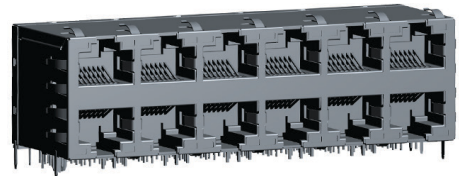
Material: Brass  
Plating (1): Nickel

### Contact Pin:

Material: Phosphor Bronze  
Plating (1): Nickel  
Plating (2): 100%Sn

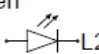
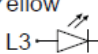
### LED:

Material: Diffused Epoxy Lens, 0.5x0.5mm Carbon Steel wireframe leads



**Note: Abracon LLC will not alter any material composition, without prior written notification.**

**LED Specification. @20mA Forward Current  
AB (Left: Green – Right: Yellow) :**

| LED-L  | LED-R   |
|--|---|
| Green<br>L1 →  → L2 | Yellow<br>L3 →  → L4 |

| Color           | Green     | Yellow    |
|-----------------|-----------|-----------|
| Wavelength      | 565nm Typ | 585nm Typ |
| Forward Voltage | 2.2V Typ  | 2.1V Typ  |

**Contact Abracon Sales for additional configurations.**

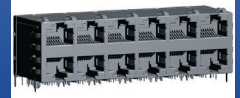


5101 Hidden Creek Ln Spicewood TX 78669  
Phone: 512-371-6159 | Fax: 512-351-8858  
For terms and conditions of sales, please visit:  
[www.abracon.com](http://www.abracon.com)

REVISED: 01.28.2019

ABRACON IS  
ISO9001-2015  
CERTIFIED

# RJ45 2x6 Multiport 100/1000/2.5G/5G Base-T

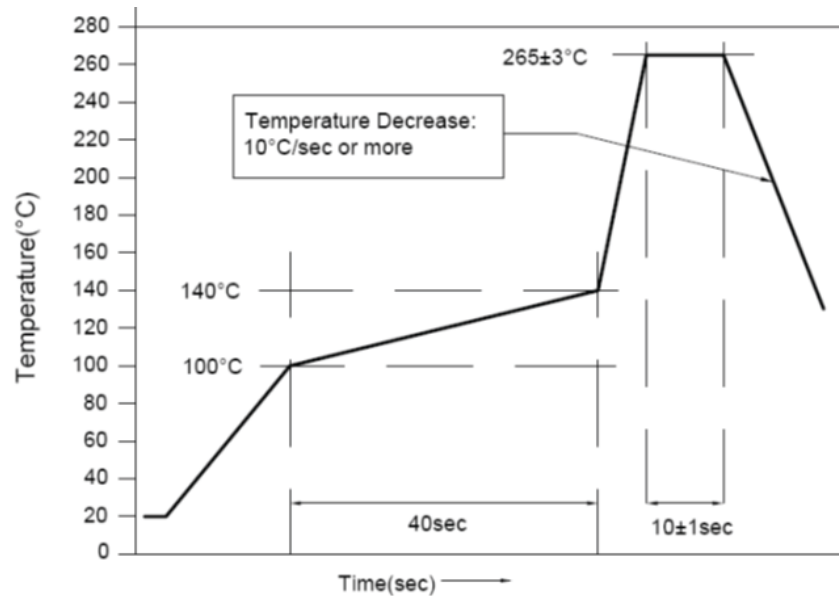


ARJM26



87.0 x 28.1 x 25.5 mm  
UL Certification Number: E503350  
RoHS/RoHS II Compliant  
MSL = 1

## Wave Soldering Profile



## Packaging

| Series | Approximate Weight / Pc | Approximate Weight / Carton | Qty / Carton (pcs) | Carton Dimensions (LxWxH) |
|--------|-------------------------|-----------------------------|--------------------|---------------------------|
| ARJM26 | 63.70 g                 | 6477 g                      | 96                 | 340 x 215 x 275 mm        |

**ATTENTION:** Abracon LLC's products are COTS – Commercial-Off-The-Shelf products; suitable for Commercial, Industrial and, where designated, Automotive Applications. Abracon's products are not specifically designed for Military, Aviation, Aerospace, Life-dependent Medical applications or any application requiring high reliability where component failure could result in loss of life and/or property. For applications requiring high reliability and/or presenting an extreme operating environment, written consent and authorization from Abracon LLC is required. Please contact Abracon LLC for more information.



5101 Hidden Creek Ln Spicewood TX 78669  
Phone: 512-371-6159 | Fax: 512-351-8858  
For terms and conditions of sales, please visit:  
[www.abracon.com](http://www.abracon.com)

REVISED: 01.28.2019

ABRACON IS  
ISO9001-2015  
CERTIFIED



# Mouser Electronics

Authorized Distributor

Click to View Pricing, Inventory, Delivery & Lifecycle Information:

## ABRACON:

[ARJM26A1-547-AA-CW2](#) [ARJM26A1-547-AA-EW2](#) [ARJM26A1-547-AB-CW2](#) [ARJM26A1-547-AB-EW2](#) [ARJM26A1-547-BA-CW2](#) [ARJM26A1-547-BA-EW2](#) [ARJM26A1-A12-BB-CW2](#) [ARJM26A1-A12-BB-EW2](#) [ARJM26A1-A12-NN-CW2](#) [ARJM26A1-A12-NN-EW2](#) [ARJM26A1-A12-AA-CW2](#) [ARJM26A1-A12-AA-EW2](#) [ARJM26A1-A12-AB-CW2](#) [ARJM26A1-A12-AB-EW2](#) [ARJM26A1-A12-BA-CW2](#) [ARJM26A1-A12-BA-EW2](#) [ARJM26A1-811-BA-CW2](#) [ARJM26A1-811-BA-EW2](#) [ARJM26A1-811-BB-CW2](#) [ARJM26A1-811-BB-EW2](#) [ARJM26A1-811-NN-CW2](#) [ARJM26A1-811-NN-EW2](#) [ARJM26A1-805-NN-CW2](#) [ARJM26A1-805-NN-EW2](#) [ARJM26A1-811-AA-CW2](#) [ARJM26A1-811-AA-EW2](#) [ARJM26A1-811-AB-CW2](#) [ARJM26A1-811-AB-EW2](#) [ARJM26A1-805-AB-CW2](#) [ARJM26A1-805-AB-EW2](#) [ARJM26A1-805-BA-CW2](#) [ARJM26A1-805-BA-EW2](#) [ARJM26A1-805-BB-CW2](#) [ARJM26A1-805-BB-EW2](#) [ARJM26A1-547-BB-CW2](#) [ARJM26A1-547-BB-EW2](#) [ARJM26A1-547-NN-CW2](#) [ARJM26A1-547-NN-EW2](#) [ARJM26A1-805-AA-CW2](#) [ARJM26A1-805-AA-EW2](#)