

RJ45, 1x2 Multi Port, 10/100/1G/5G Base-T Magnetics Module

ARJM12 Series

Request Samples



Check Inventory



31.0 x 21.3 x 13.6 mm

RoHS/RoHS II Compliant

MSL Level = 1

Features

- IEEE 802.3 compliant and UL certified
- High performance integrated magnetics for EMI suppression
- Suitable for CAT5 and CAT6 UTP cabling
- RoHS peak wave solder temperature rating 265°C
- Extended operating temperature -40 to 85°C option

Applications

- Multiport 10/100/1G/5G Base-T LAN
- Network Interface Cards
- High Density Data Center Switches
- NAS / Expander storage
- Data Center Servers, Routers
- Media converters

Electrical Specifications

Parameters	Minimum	Typical	Maximum	Units	Notes
Turn Ratio (±3%)	1CT:1CT				100kHz, 0.1V
Inductance	350			μH	100kHz, 0.1V, 8mADC
	160				
Hipot	2250			VDC	1mA Max Complies with IEEE 802.3
Operating Temperature	-40		+85	°C	See options
Storage Temperature	-40		+85	°C	
10/100/1G Base-T					
Insertion Loss	-1.0			dB	0.3-100MHz
Return Loss			-18	dB	1-30MHz
			-16		30-60MHz
			-12		60-80MHz
			-10		80-100MHz
Crosstalk			-30	dB	1-100MHz
CMRR			-30	dB	1-100MHz
5G Base-T					
Insertion Loss	-0.5			dB	1-50MHz
	-1.0				50-125MHz
	-2.0				125-200MHz
	-2.5				200-250MHz
Return Loss			-20	dB	1-50MHz
			$-20+15\log(f/40)^\dagger$		50-250MHz
Crosstalk			-25	dB	1-125MHz
			-20		125-250MHz
CMRR			-23	dB	1-250MHz

[†] f refers to the frequency of the test

ARJM12 Series is RoHS/RoHS II Compliant

MSL level: 1

UL Certification Number: E503350



5101 Hidden Creek Ln Spicewood TX 78669
 Phone: 512-371-6159 | Fax: 512-351-8858
 For terms and conditions of sales, please visit:
www.abracon.com

REVISED: 01-21-21

ABRACON IS
 ISO9001-2015
 CERTIFIED

RJ45, 1x2 Multi Port, 10/100/1G/5G Base-T Magnetics Module

ARJM12 Series

Request Samples

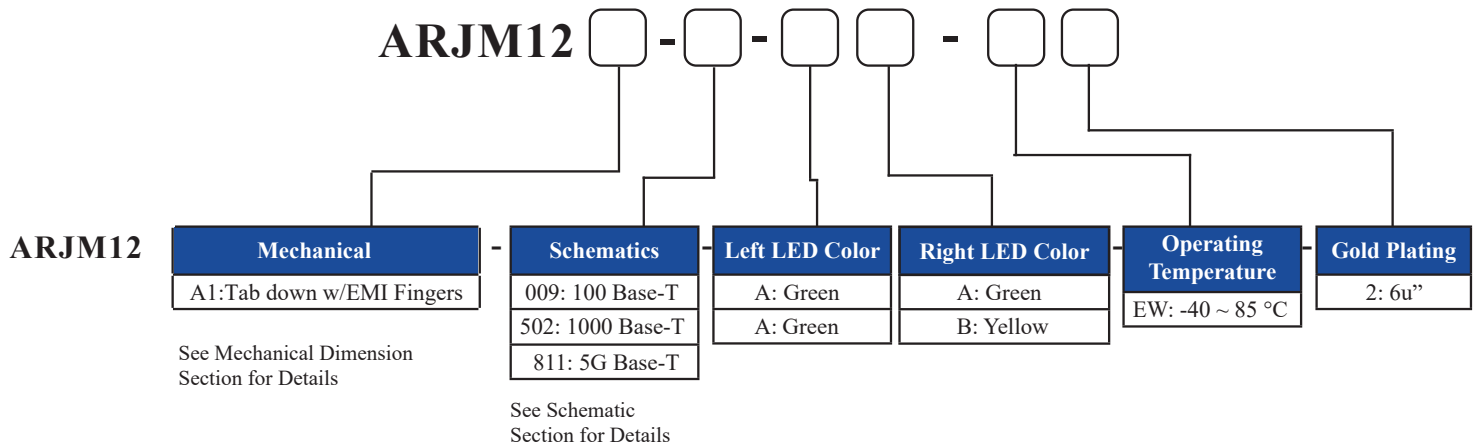


Check Inventory



31.0 x 21.3 x 13.6 mm
RoHS/RoHS II Compliant
MSL Level = 1

Part Number Identification



Available Part Numbers

Part Number	Speed	Tab Direction	LED (Left:Right)	Operating Temperature	Solder Method	Gold Plating
ARJM12A1-009-AB-EW2	10/100 Base-T	Down	G : Y	-40°C ~ 85°C	Wave	6μ"
ARJM12A1-502-AB-EW2	1000 Base-T	Down	G : Y	-40°C ~ 85°C	Wave	6μ"
ARJM12A1-811-AA-EW2	5G Base-T	Down	G : G	-40°C ~ 85°C	Wave	6μ"



5101 Hidden Creek Ln Spicewood TX 78669
Phone: 512-371-6159 | Fax: 512-351-8858
For terms and conditions of sales, please visit:
www.abracon.com

REVISED: 01-21-21

ABRACON IS
ISO9001-2015
CERTIFIED

RJ45, 1x2 Multi Port, 10/100/1G/5G Base-T Magnetics Module

ARJM12 Series

Request Samples



Check Inventory



31.0 x 21.3 x 13.6 mm
RoHS/RoHS II Compliant
MSL Level = 1

Materials

1. Housing:

Material:
PBT, UL94V-0
Standard Color: Black

2. Contact Pin:

Material: Phosphor Bronze
Plating (1): Nickel
Plating (2): 100%Sn

3. Insert:

Material:
PBT, UL94V-0

Contact Material: Phosphor Bronze
Plating (1): Nickel
Plating (2): Gold, 6u"

4. LED:

Material: Diffused Epoxy Lens, 0.5x0.5mm
Carbon Steel wireframe leads

5. Metal Shell:

Material: Brass
Plating (1): Nickel

Note: Abracon LLC will not alter any material composition, without prior written notification.



5101 Hidden Creek Ln Spicewood TX 78669
Phone: 512-371-6159 | Fax: 512-351-8858
For terms and conditions of sales, please visit:
www.abracon.com

REVISED: 01-21-21

ABRACON IS
ISO9001-2015
CERTIFIED

RJ45, 1x2 Multi Port, 10/100/1G/5G Base-T Magnetics Module

ARJM12 Series

Request Samples



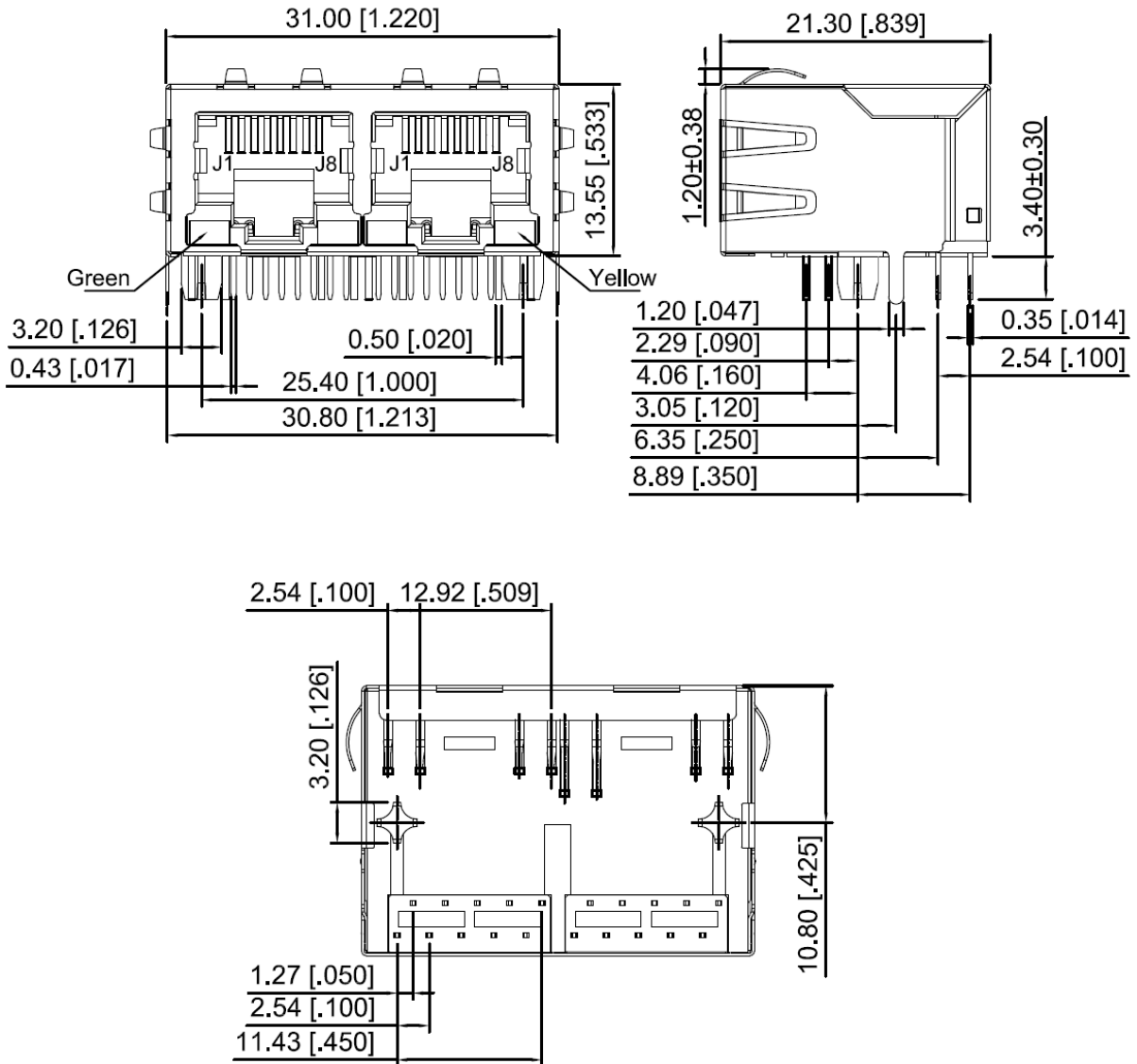
Check Inventory



31.0 x 21.3 x 13.6 mm
 RoHS/RoHS II Compliant
 MSL Level = 1

Mechanical Specifications

A1: 1 x 2, w/ EMI Fingers



Dimensions are in mm[inches]. Unless otherwise noted, tolerance is ±0.25mm[0.010]



5101 Hidden Creek Ln Spicewood TX 78669
 Phone: 512-371-6159 | Fax: 512-351-8858
 For terms and conditions of sales, please visit:
www.abracon.com

REVISED: 01-21-21

ABRACON IS
 ISO9001-2015
 CERTIFIED

RJ45, 1x2 Multi Port, 10/100/1G/5G Base-T Magnetics Module

ARJM12 Series

Request Samples



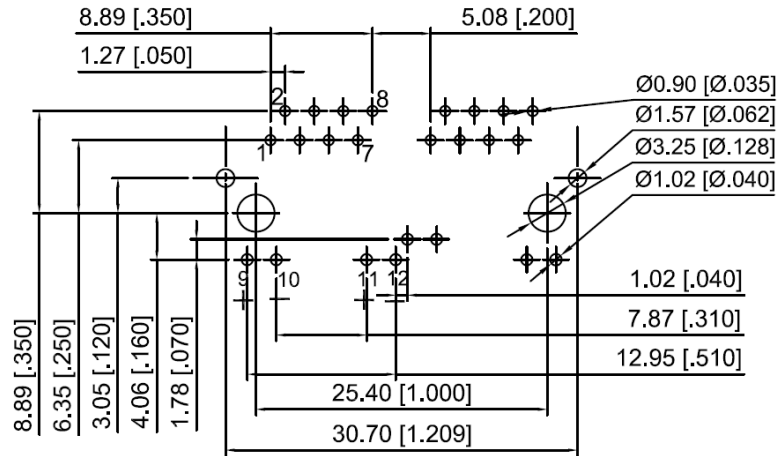
Check Inventory



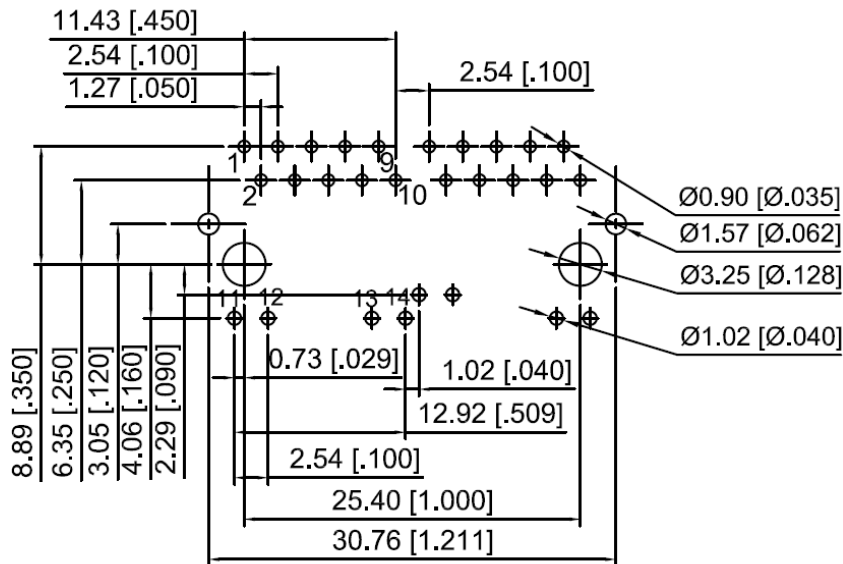
31.0 x 21.3 x 13.6 mm
RoHS/RoHS II Compliant
MSL Level = 1

Recommended Layout

10/100 Base-T



1000 Base-T
5G Base-T



Dimensions are in mm[inches]. Unless otherwise noted, tolerance is $\pm 0.25\text{mm}$ [0.010]



5101 Hidden Creek Ln Spicewood TX 78669
Phone: 512-371-6159 | Fax: 512-351-8858
For terms and conditions of sales, please visit:
www.abracon.com

REVISED: 01-21-21

ABRACON IS
ISO9001-2015
CERTIFIED

RJ45, 1x2 Multi Port, 10/100/1G/5G Base-T Magnetics Module

ARJM12 Series

Request Samples



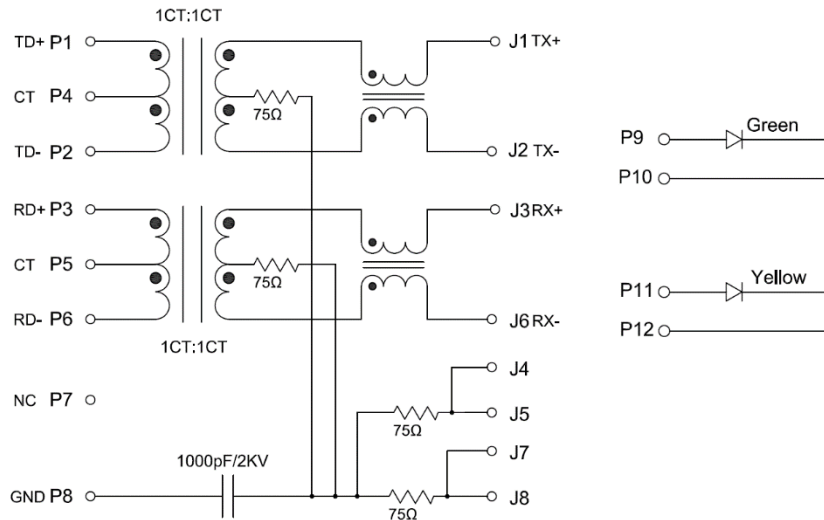
Check Inventory



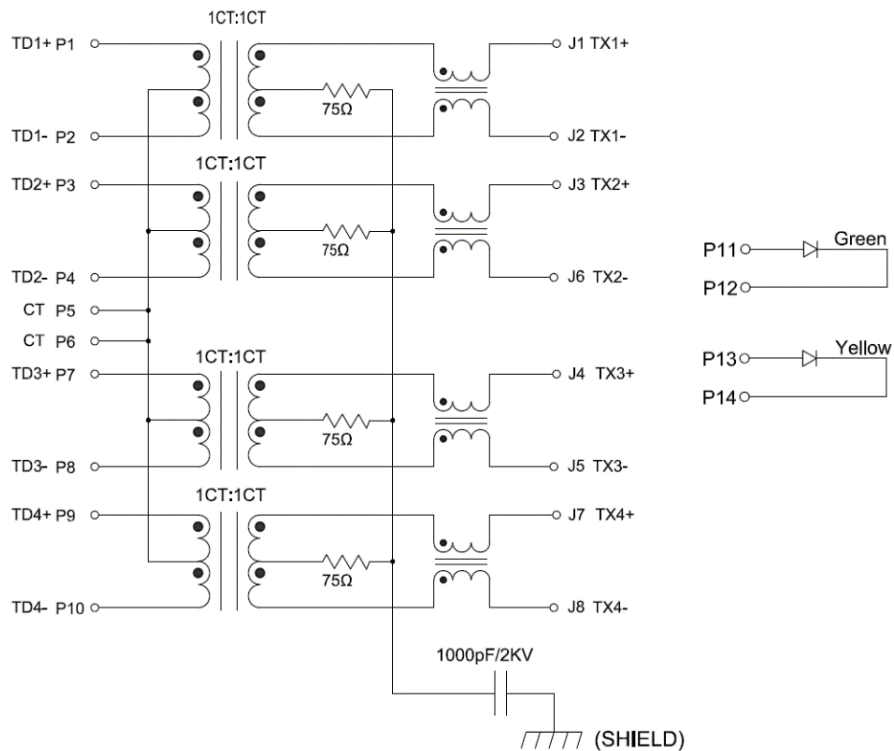
31.0 x 21.3 x 13.6 mm
RoHS/RoHS II Compliant
MSL Level = 1

Schematic

009 (10/100 Base-T)



502 (1000 Base-T)



RJ45, 1x2 Multi Port, 10/100/1G/5G Base-T Magnetics Module

ARJM12 Series

Request Samples



Check Inventory

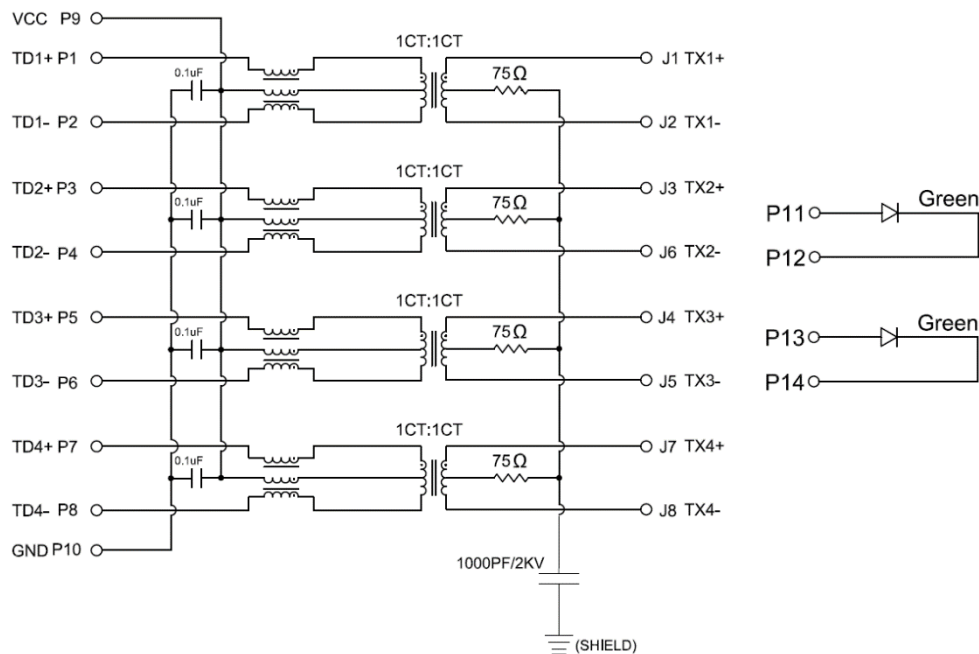


31.0 x 21.3 x 13.6 mm

RoHS/RoHS II Compliant

MSL Level = 1

811 (5G Base-T)



LED SPECIFICATION. @20mA Forward Current

AA option (Left: Green – Right: Yellow)

AB option (Left: Green – Right: Yellow)

Color	Green	Yellow
Wavelength	565nm Typ	585nm Typ
Forward Voltage	2.2V Typ	2.1V Typ



5101 Hidden Creek Ln Spicewood TX 78669
 Phone: 512-371-6159 | Fax: 512-351-8858
 For terms and conditions of sales, please visit:
www.abracon.com

REVISED: 01-21-21

ABRACON IS
 ISO9001-2015
 CERTIFIED

RJ45, 1x2 Multi Port, 10/100/1G/5G Base-T Magnetics Module

ARJM12 Series

Request Samples



Check Inventory



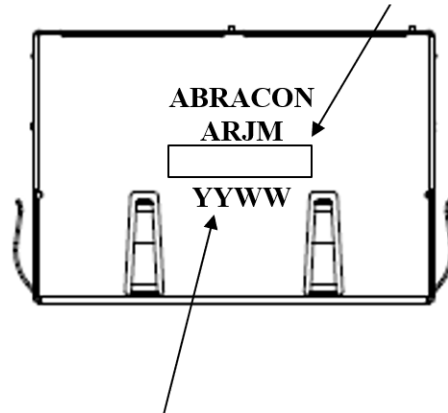
31.0 x 21.3 x 13.6 mm
RoHS/RoHS II Compliant
MSL Level = 1

Part Marking

Part number

XXXX-XXX-XX-XXX

e.g. 12A1-009-AB-EW2



YY: Year: E.g. 21 for 2021

WW: Week: E.g. 05 for
the 5th week of the year.

Marking Method = Laser Marking

RJ45, 1x2 Multi Port, 10/100/1G/5G Base-T Magnetics Module

ARJM12 Series

Request Samples

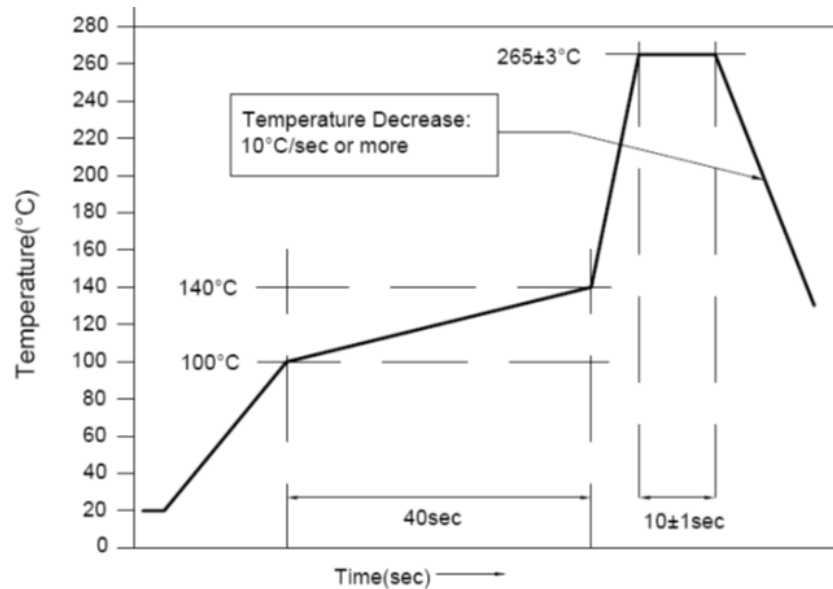


Check Inventory



31.0 x 21.3 x 13.6 mm
RoHS/RoHS II Compliant
MSL Level = 1

Wave Profile



Packaging

Series	Approx. Weight / Pc	Approx. Weight / Carton	Qty / Carton (pcs)	Tray / Carton	Pcs/ Tray	Carton Dimensions (LxWxH)
ARJM12A1-009	11g	14.5Kg	1040	26	40	340 x 215 x 275 mm
ARJM12A1-502 ARJM12A1-811	11g	19.0Kg	1500	30	50	340 x 215 x 275 mm

ATTENTION: Abracon LLC's products are COTS – Commercial-Off-The-Shelf products; suitable for Commercial, Industrial and, where designated, Automotive Applications. Abracon's products are not specifically designed for Military, Aviation, Aerospace, Life-dependent Medical applications or any application requiring high reliability where component failure could result in loss of life and/or property. For applications requiring high reliability and/or presenting an extreme operating environment, written consent and authorization from Abracon LLC is required. Please contact Abracon LLC for more information.



5101 Hidden Creek Ln Spicewood TX 78669
Phone: 512-371-6159 | Fax: 512-351-8858
For terms and conditions of sales, please visit:
www.abracon.com

REVISED: 01-21-21

ABRACON IS
ISO9001-2015
CERTIFIED

Mouser Electronics

Authorized Distributor

Click to View Pricing, Inventory, Delivery & Lifecycle Information:

ABRACON:

[ARJM12A1-009-AA-CW2](#) [ARJM12A1-009-AA-EW2](#) [ARJM12A1-009-AB-CW2](#) [ARJM12A1-009-AB-EW2](#) [ARJM12A1-009-BA-CW2](#) [ARJM12A2-811-BB-EW2](#) [ARJM12A2-811-NN-CW2](#) [ARJM12A2-811-NN-EW2](#) [ARJM12A2-811-AA-EW2](#) [ARJM12A2-811-AB-CW2](#) [ARJM12A2-811-AB-EW2](#) [ARJM12A2-811-BA-CW2](#) [ARJM12A2-811-BA-EW2](#) [ARJM12A2-811-BB-CW2](#) [ARJM12A2-805-BA-EW2](#) [ARJM12A2-805-BB-CW2](#) [ARJM12A2-805-BB-EW2](#) [ARJM12A2-805-NN-CW2](#) [ARJM12A2-805-NN-EW2](#) [ARJM12A2-811-AA-CW2](#) [ARJM12A2-502-NN-EW2](#) [ARJM12A2-805-AA-CW2](#) [ARJM12A2-805-AA-EW2](#) [ARJM12A2-805-AB-CW2](#) [ARJM12A2-805-AB-EW2](#) [ARJM12A2-805-BA-CW2](#) [ARJM12A2-502-AB-EW2](#) [ARJM12A2-502-BA-CW2](#) [ARJM12A2-502-BA-EW2](#) [ARJM12A2-502-BB-CW2](#) [ARJM12A2-502-BB-EW2](#) [ARJM12A2-502-NN-CW2](#) [ARJM12A2-009-BB-EW2](#) [ARJM12A2-009-NN-CW2](#) [ARJM12A2-009-NN-EW2](#) [ARJM12A2-502-AA-CW2](#) [ARJM12A2-502-AA-EW2](#) [ARJM12A2-502-AB-CW2](#) [ARJM12A2-009-AA-EW2](#) [ARJM12A2-009-AB-CW2](#) [ARJM12A2-009-AB-EW2](#) [ARJM12A2-009-BA-CW2](#) [ARJM12A2-009-BA-EW2](#) [ARJM12A2-009-BB-CW2](#) [ARJM12A1-811-BA-EW2](#) [ARJM12A1-811-BB-CW2](#) [ARJM12A1-811-BB-EW2](#) [ARJM12A1-811-NN-CW2](#) [ARJM12A1-811-NN-EW2](#) [ARJM12A2-009-AA-CW2](#) [ARJM12A1-805-NN-EW2](#) [ARJM12A1-811-AA-CW2](#) [ARJM12A1-811-AA-EW2](#) [ARJM12A1-811-AB-CW2](#) [ARJM12A1-811-AB-EW2](#) [ARJM12A1-811-BA-CW2](#) [ARJM12A1-805-AB-EW2](#) [ARJM12A1-805-BA-CW2](#) [ARJM12A1-805-BA-EW2](#) [ARJM12A1-805-BB-CW2](#) [ARJM12A1-805-BB-EW2](#) [ARJM12A1-805-NN-CW2](#) [ARJM12A1-502-BB-EW2](#) [ARJM12A1-502-NN-CW2](#) [ARJM12A1-502-NN-EW2](#) [ARJM12A1-805-AA-CW2](#) [ARJM12A1-805-AA-EW2](#) [ARJM12A1-805-AB-CW2](#) [ARJM12A1-502-AA-EW2](#) [ARJM12A1-502-AB-CW2](#) [ARJM12A1-502-AB-EW2](#) [ARJM12A1-502-BA-CW2](#) [ARJM12A1-502-BA-EW2](#) [ARJM12A1-502-BB-CW2](#) [ARJM12A1-009-BA-EW2](#) [ARJM12A1-009-BB-CW2](#) [ARJM12A1-009-BB-EW2](#) [ARJM12A1-009-NN-CW2](#) [ARJM12A1-009-NN-EW2](#) [ARJM12A1-502-AA-CW2](#)