

External GSM Antenna

APAMS-118

RoHS/RoHS II compliant

Lead in copper alloy exemption (6c); and Lead in glass exemption (7c-1)



108.1xØ10.0mm

MSL level: Not Applicable

FEATURES:

- High Reliability/ Sensitivity
- Compact Size
- Easy to install
- ROHS Compliant

TYPICAL APPLICATIONS:

- Wireless Communications
- GSM
- GPRS
- CDMA
- UMTS
- Vehicle Monitoring

STANDARD SPECIFICATIONS:

Parameters	Min.	Typ.	Max.	Units	Note
Frequency Range	890		960	MHz	(GSM900)
	1710		1880	MHz	(GSM1800)
Bandwidth		70		MHz	(@900MHz)
		170		MHz	(@1800MHz)
VSWR		2:1			
Polarization Model	Linear Polarization				
Impedance		50		Ω	
Gain		2		dBi	(@900MHz)
		3		dBi	(@1800MHz)
Azimuth	Omni-Directional				
Operating Temperature	-45		+85	°C	
Storage Temperature	-45		+85	°C	

S11 CHARACTERISTICS



External GSM Antenna

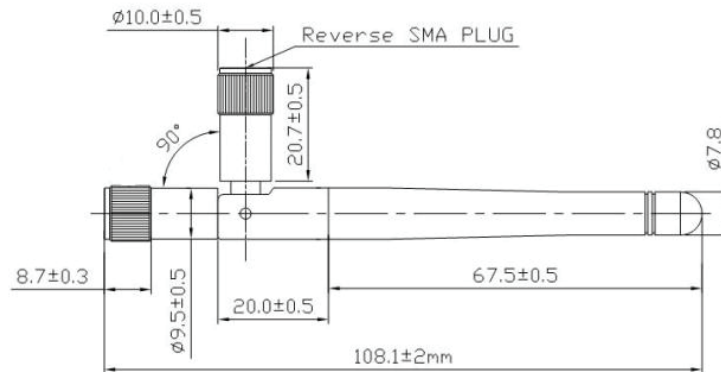
APAMS-118

RoHS/RoHS II compliant
Lead in copper alloy exemption (6c); and Lead in glass exemption (7c-1)



108.1xØ10.0mm

OUTLINE DRAWING:

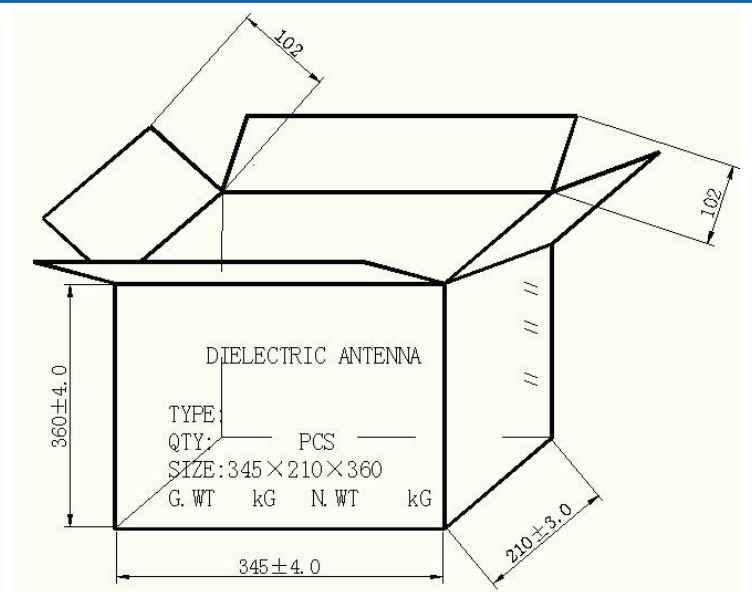


Parameters	Description
RF Connector	SMA-J3
Radiator	Nickel-plated
Weight	10g
Enclosures	Plastic
Color	Black

Unit: mm

PACKAGING:

Package Type	Quantity
Plastic bag	1 pcs/ Plastic bag
Outer Box	1000 pcs/box



Outer box

CAUTION:

- (1) Do not apply excess mechanical stress to the component body or terminations. Do not attempt to re-form or bend the components as this will cause damage to the component.
- (2) Do not expose the component to open flame.
- (3) This specification applies to the functionality of the component as a single unit. Please insure the component is thoroughly evaluated in the application circuit.

ATTENTION: Abracon Corporation's products are COTS – Commercial-Off-The-Shelf products; suitable for Commercial, Industrial and, where designated, Automotive Applications. Abracon's products are not specifically designed for Military, Aviation, Aerospace, Life-dependant Medical applications or any application requiring high reliability where component failure could result in loss of life and/or property. For applications requiring high reliability and/or presenting an extreme operating environment, written consent and authorization from Abracon Corporation is required. Please contact Abracon Corporation for more information.

ABRACON IS
ISO9001:2008
CERTIFIED



2 Faraday, Suite# B | Irvine | CA 92618 **Revised: 12.03.14**

Ph. 949.546.8000 | Fax. 949.546.8001

Visit www.abracon.com for Terms and Conditions of Sale

Mouser Electronics

Authorized Distributor

Click to View Pricing, Inventory, Delivery & Lifecycle Information:

[ABRACON:](#)

[APAMS-118](#)