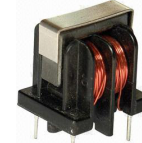


AC Line Filters Common Mode Choke Coil



ALFT-03A

RoHS/RoHS II Compliant

18.0 x 23.9 x 21.6mm

FEATURES:

- Presents High Common Mode Impedance
- Enables significant noise suppression at high frequency

APPLICATIONS:

- Filtering common mode noise in USB, IEEE1394, LVDS, Digital Camera, Scanner.
- Digital audio and video equipments such as PDA, DSC, DVC, DVD Player.

ELECTRICAL SPECIFICATIONS:

Part Number	Common Mode Inductance Min (mH) 1-2/4-3	Rated Current Max (A)	DCR Max (Ω)	Rated Voltage (V)	Insulation Resistance Min (M Ω)
ALFT-03A-1	105	0.2	10.0	250	100
ALFT-03A-2	45	0.3	2.5	250	100
ALFT-03A-3	26	0.4	1.5	250	100
ALFT-03A-4	19	0.5	1.2	250	100
ALFT-03A-5	12	0.6	1.0	250	100
ALFT-03A-6	10	0.7	0.80	250	100
ALFT-03A-7	7.0	0.8	0.80	250	100
ALFT-03A-8	5.5	1.0	0.75	250	100
ALFT-03A-9	4.30	1.1	0.70	250	100
ALFT-03A-10	2.7	1.3	0.68	250	100
ALFT-03A-11	2.1	1.5	0.60	250	100
ALFT-03A-12	1.7	1.7	0.60	250	100
ALFT-03A-13	1.0	2.2	0.40	250	100
ALFT-03A-14	0.6	3.0	0.38	250	100

Test Conditions

Test Freq for L: 1KHz, 0.1Vrms

Turns Ratio: 1:1 \pm 2%

Hi-Pot: 2000V_{RMS}

Operating Temperature

-25°C to +85°C

Storage Temperature

-25°C to +85°C

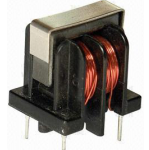


Common Mode Line Filter

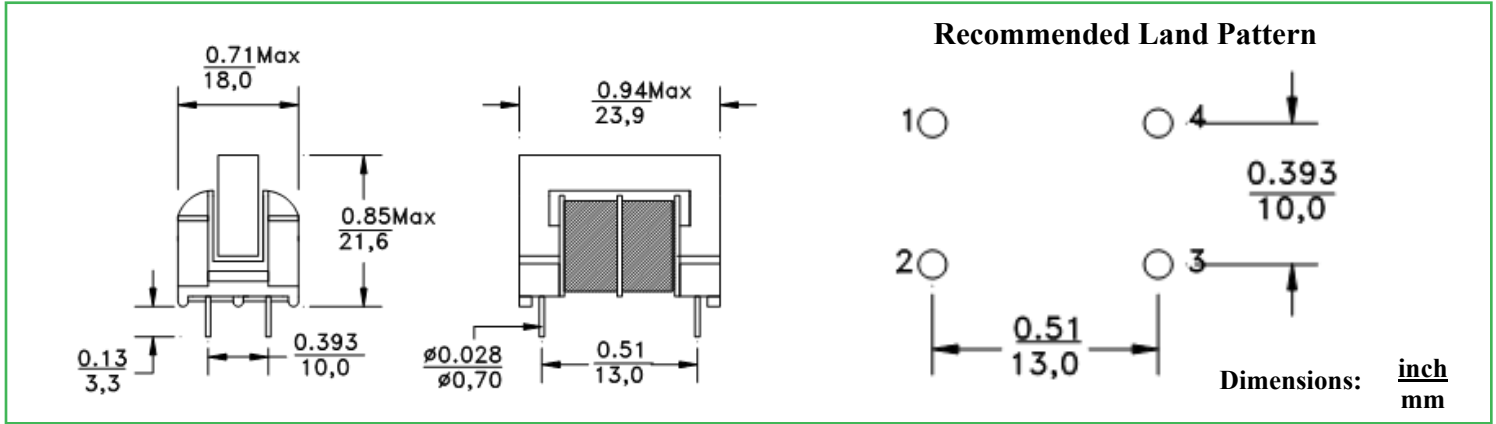
ALFT-03A

RoHS/RoHS II Compliant

18.0 x 23.9 x 21.6mm



ELECTRICAL SPECIFICATIONS:

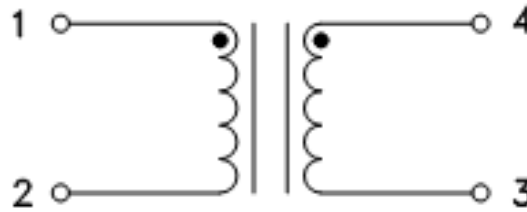


MATERIALS

Part Name	Materials	UL file Number
Ferrite Core	Mn-Zn Ferrite	
Bobbin	Phenolic	E59481
Lead Wire	CP WIRE	
Coil	Cu/P180 Grd 1	E158909

Note: No material substitutions allowed without prior approval by Abracon in writing.

SCHEMATICS



Packing 144pcs/Box

ATTENTION: Abracon Corporation's products are COTS – Commercial-Off-The-Shelf products; suitable for Commercial, Industrial and, where designated, Automotive Applications. Abracon's products are not specifically designed for Military, Aviation, Aerospace, Life-dependant Medical applications or any application requiring high reliability where component failure could result in loss of life and/or property. For applications requiring high reliability and/or presenting an extreme operating environment, written consent and authorization from Abracon Corporation is required. Please contact Abracon Corporation for more information.

ABRACON IS
ISO 9001:2008
CERTIFIED



Visit www.abracon.com for Terms & Conditions of Sale **Revised: 02.06.15**
30332 Esperanza, Rancho Santa Margarita, California 92688
tel 949-546-8000 | fax 949-546-8001 | www.abracon.com

Mouser Electronics

Authorized Distributor

Click to View Pricing, Inventory, Delivery & Lifecycle Information:

ABRACON:

[ALFT-03A-4](#) [ALFT-03A-3](#) [ALFT-03A-6](#) [ALFT-03A-11](#) [ALFT-03A-14](#) [ALFT-03A-9](#) [ALFT-03A-7](#) [ALFT-03A-13](#)
[ALFT-03A-10](#) [ALFT-03A-1](#) [ALFT-03A-2](#) [ALFT-03A-5](#) [ALFT-03A-8](#) [ALFT-03A-12](#)