

32.768kHz SMD Low ESR Crystal



3.2 x 1.5 x 0.9 mm

ABS07-LR



RoHS/RoHS II Compliant

Moisture Sensitivity Level (MSL) – This product is Hermetically Sealed and not Moisture Sensitive - MSL = N/A: Not Applicable

➤ **FEATURES:**

- Guaranteed ESR of 50kΩ maximum for low power designs
- 0.9mm height ideal for high density circuit boards
- Seam sealed ceramic package offers excellent environmental & heat resistance
- Extended operating temperature of -40°C to +85°C for industrial applications

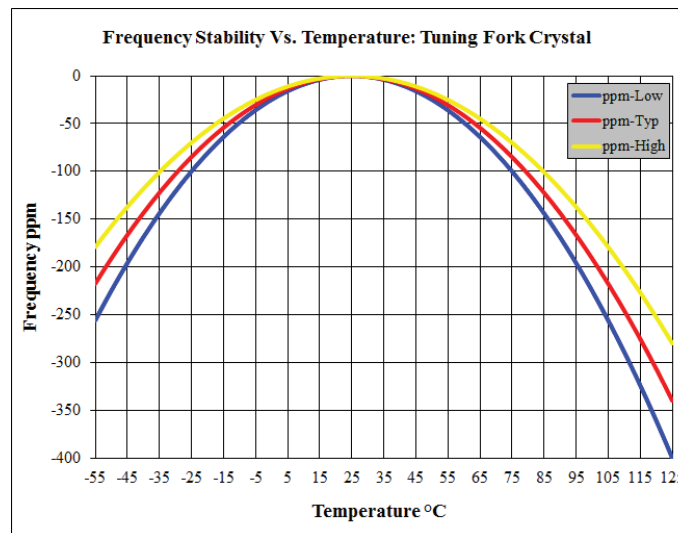
➤ **APPLICATIONS:**

- Power sensitive designs requiring low ESR crystal
- Communication & measurement equipment
- Commercial, consumer & industrial applications
- Wireless communications
- PDA and smartphone

➤ **STANDARD SPECIFICATIONS:**

Parameters	Minimum	Typical	Maximum	Units	Notes
Frequency	32.768			kHz	
Operation Mode	Flexural Mode (Tuning Fork)				
Operating Temperature	-40		+85	°C	
Storage Temperature	-55		+125	°C	
Frequency Tolerance @+25°C	-20		+20	ppm	See options
Temperature Coefficient:	-0.040	-0.034	-0.028	ppm/°C ²	
Turn-over temperature:	+20	+25	+30	°C	
Equivalent series resistance @+25°C			50	kΩ	
Shunt capacitance (C0)		1.3		pF	
Load capacitance (CL)		6		pF	
Drive Level		0.1	0.5	μW	
Q value		25000			
Aging@25°C±3°C	-3		3	ppm	First year
Insulation Resistance	500			MΩ	@ 100Vdc ± 15V

➤ **TYPICAL FREQUENCY VS. TEMPERATURE CHARACTERISTICS**



32.768kHz SMD Low ESR Crystal

ABS07-LR



RoHS/RoHS II Compliant



3.2 x 1.5 x 0.9 mm

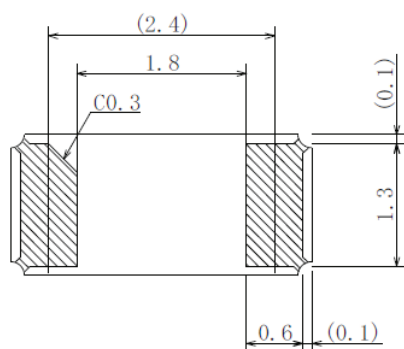
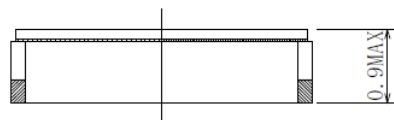
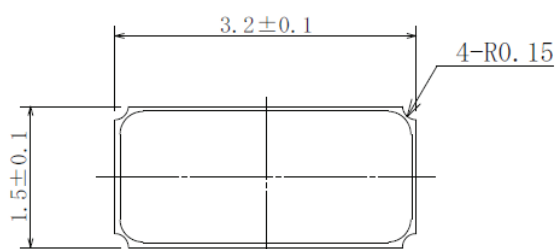
PART IDENTIFICATION (LEFT BLANK IF STANDARD)

ABS07-LR-32.768 kHz - 6 - -

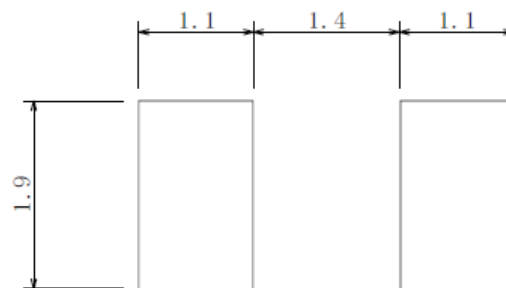
Freq. Tolerance
Blank: ± 20 ppm
1: ± 10 ppm

Packaging
Blank: Bulk
T: Tape & Reel (3000pcs/reel)

OUTLINE DIMENSIONS:



Recommended Land Pattern



Dimensions: mm

32.768kHz SMD Low ESR Crystal



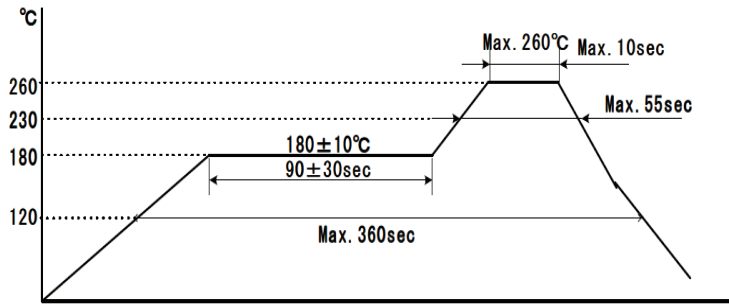
3.2 x 1.5 x 0.9 mm

ABS07-LR



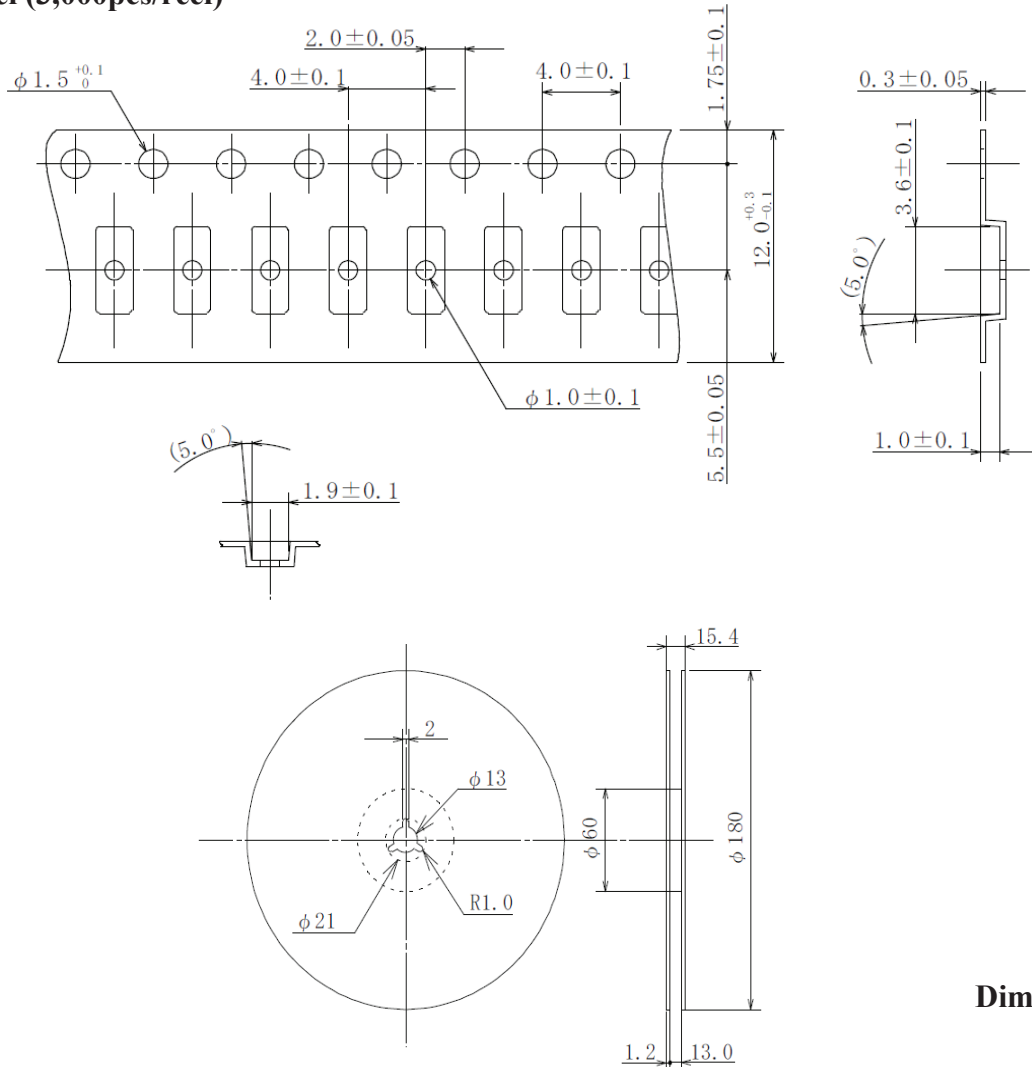
RoHS/RoHS II Compliant

REFLOW PROFILE



TAPE & REEL:

T=Tape and reel (3,000pcs/reel)



Dimensions: mm

ATTENTION: Abracon Corporation's products are COTS – Commercial-Off-The-Shelf products; suitable for Commercial, Industrial and, where designated, Automotive Applications. Abracon's products are not specifically designed for Military, Aviation, Aerospace, Life-dependant Medical applications or any application requiring high reliability where component failure could result in loss of life and/or property. For applications requiring high reliability and/or presenting an extreme operating environment, written consent and authorization from Abracon Corporation is required. Please contact Abracon Corporation for more information.

ABRACON IS
ISO 9001:2008
CERTIFIED



2 Faraday, Suite# B | Irvine | CA 92618 **Revised: 03.27.15**

Ph. 949.546.8000 | Fax. 949.546.8001

Visit www.abracon.com for Terms and Conditions of Sale

Mouser Electronics

Authorized Distributor

Click to View Pricing, Inventory, Delivery & Lifecycle Information:

[ABRACON:](#)

[ABS07-LR-32.768kHz-6-T](#) [ABS07-LR-32.768kHz-6-1-T](#)