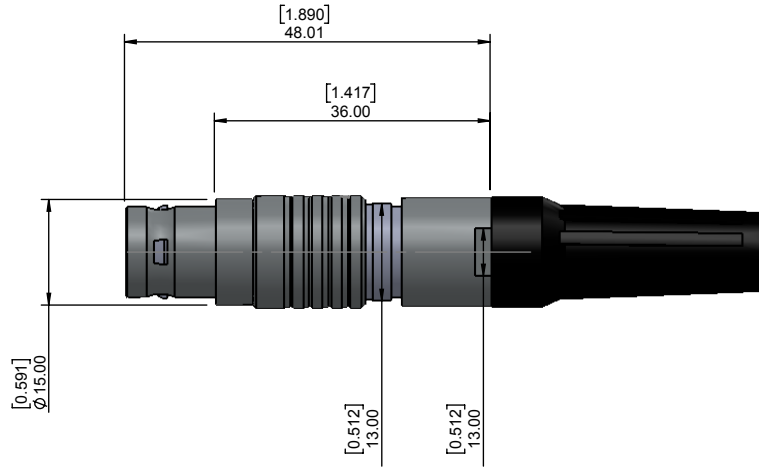


HOUSING : BRASS  
 HOUSING PLATING : 196µ" NICKEL MIN.  
 SHELL & COLLET NUT: BRASS, 196µ" CHROME PLATED MIN.  
 CONTACTS : COPPER ALLOY  
 CONTACT PLATING : 7µ" GOLD PLATED OVER 196µ" NICKEL MIN.  
 INSULATOR : PPS (HIGH TEMPERATURE)  
 STRAIN RELIEF(BOOT) : THERMOPLASTIC POLYURETHANE

MECHANICAL

DURABILITY: 5000 CYCLES  
 OPERATING TEMP. RANGE: -40° C ~ +200° C  
 PROCESS TEMPERATURE : 260°C FOR 5 SECONDS  
 MAX. TOURQUE VALUE : 2.5 Nm [22.1 IN/LBS]  
 SHIELDING: 75dB @ 10MHz  
 40dB @ 1GHz

IP RATING: 50



822B YYY - 1 7 3 L YY 1

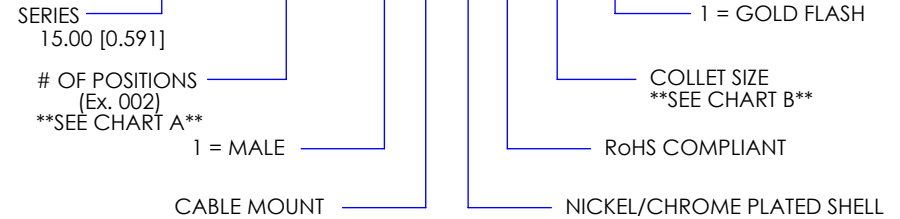


CHART A

● = KEY LOCATION

\*\*VIEW FROM TERMINATION END\*\*

 2 POSITION 16 AWG MAX. 25 AMP MAX. PIN Ø = 2.00 [0.079]  CONTACT RESISTANCE = 3 mΩ TEST VOLTAGE = 2100V WORKING VOLTAGE = 700V	 3 POSITION 18 AWG MAX. 17 AMP MAX. PIN Ø = 1.60 [0.063]  CONTACT RESISTANCE = 4 mΩ TEST VOLTAGE = 2400V WORKING VOLTAGE = 800V	 4 POSITION 20 AWG MAX. 15 AMP MAX. PIN Ø = 1.30 [0.051]  CONTACT RESISTANCE = 5 mΩ TEST VOLTAGE = 1850V WORKING VOLTAGE = 615V	 6 POSITION 20 AWG MAX. 12 AMP MAX. PIN Ø = 1.30 [0.051]  CONTACT RESISTANCE = 5 mΩ TEST VOLTAGE = 1350V WORKING VOLTAGE = 450V	 8 POSITION 22 AWG MAX. 10 AMP MAX. PIN Ø = 0.90 [0.035]  CONTACT RESISTANCE = 6 mΩ TEST VOLTAGE = 1500V WORKING VOLTAGE = 500V	
 10 POSITION 22 AWG MAX. 8 AMP MAX. PIN Ø = 0.90 [0.035]  CONTACT RESISTANCE = 6 mΩ TEST VOLTAGE = 1450V WORKING VOLTAGE = 500V	 12 POSITION 24 AWG MAX. 7 AMP MAX. PIN Ø = 0.70 [0.028]  CONTACT RESISTANCE = 7.5 mΩ TEST VOLTAGE = 1250V WORKING VOLTAGE = 480V	 14 POSITION 24 AWG MAX. 6.5 AMP MAX. PIN Ø = 0.70 [0.028]  CONTACT RESISTANCE = 7.5 mΩ TEST VOLTAGE = 1150V WORKING VOLTAGE = 380V	 16 POSITION 24 AWG MAX. 6 AMP MAX. PIN Ø = 0.70 [0.028]  CONTACT RESISTANCE = 7.5 mΩ TEST VOLTAGE = 950V WORKING VOLTAGE = 315V	 19 POSITION 24 AWG MAX. 5 AMP MAX. PIN Ø = 0.70 [0.028]  CONTACT RESISTANCE = 7.5 mΩ TEST VOLTAGE = 950V WORKING VOLTAGE = 315V	 26 POSITION 28 AWG MAX. 2 AMP MAX. PIN Ø = 0.50 [0.020]  CONTACT RESISTANCE = 10 mΩ TEST VOLTAGE = 950V WORKING VOLTAGE = 315V

CHART B

COLLET SIZE	WIRE DIAMETER
50	4.30 [0.169] ~ 5.20 [0.205]
60	5.30 [0.209] ~ 6.20 [0.244]
70	6.30 [0.248] ~ 7.20 [0.283]
80	7.30 [0.287] ~ 8.20 [0.323]
90	8.30 [0.327] ~ 9.20 [0.362]
00	9.30 [0.366] ~ 10.20 [0.402]

RoHS COMPLIANT



THESE DRAWINGS AND SPECIFICATIONS ARE THE PROPERTY OF NorComp AND SHALL NOT BE REPRODUCED, COPIED OR USED AS THE BASIS FOR THE MANUFACTURE OR SALE OF APPARATUS WITHOUT WRITTEN PERMISSION.

NorComp

DRAWN:	DATE:	SCALE:	SHEET	OF	REV:
M. SIGMON	02-03-16	N.T.S.	1	1	7
			DWG NO. 822BYYY-173LYY1		

# Mouser Electronics

Authorized Distributor

Click to View Pricing, Inventory, Delivery & Lifecycle Information:

## NorComp:

<a href="#"><u>822B002-173L601</u></a>	<a href="#"><u>822B008-173L601</u></a>	<a href="#"><u>822B006-173L601</u></a>	<a href="#"><u>822B010-173L701</u></a>	<a href="#"><u>822B012-173L501</u></a>	<a href="#"><u>822B004-173L901</u></a>
<a href="#"><u>822B002-173L801</u></a>	<a href="#"><u>822B019-173L901</u></a>	<a href="#"><u>822B004-173L801</u></a>	<a href="#"><u>822B002-173L501</u></a>	<a href="#"><u>822B026-173L601</u></a>	<a href="#"><u>822B012-173L701</u></a>
<a href="#"><u>822B014-173L801</u></a>	<a href="#"><u>822B026-173L801</u></a>	<a href="#"><u>822B010-173L801</u></a>	<a href="#"><u>822B006-173L001</u></a>	<a href="#"><u>822B016-173L801</u></a>	<a href="#"><u>822B019-173L601</u></a>
<a href="#"><u>822B026-173L501</u></a>	<a href="#"><u>822B010-173L501</u></a>	<a href="#"><u>822B016-173L701</u></a>	<a href="#"><u>822B019-173L701</u></a>	<a href="#"><u>822B006-173L701</u></a>	<a href="#"><u>822B008-173L901</u></a>
<a href="#"><u>822B014-173L901</u></a>	<a href="#"><u>822B016-173L001</u></a>	<a href="#"><u>822B006-173L801</u></a>	<a href="#"><u>822B006-173L501</u></a>	<a href="#"><u>822B008-173L701</u></a>	<a href="#"><u>822B016-173L601</u></a>
<a href="#"><u>822B012-173L601</u></a>	<a href="#"><u>822B014-173L601</u></a>	<a href="#"><u>822B004-173L701</u></a>	<a href="#"><u>822B014-173L701</u></a>	<a href="#"><u>822B008-173L501</u></a>	<a href="#"><u>822B019-173L501</u></a>
<a href="#"><u>822B003-173L501</u></a>	<a href="#"><u>822B010-173L901</u></a>	<a href="#"><u>822B003-173L901</u></a>	<a href="#"><u>822B010-173L601</u></a>	<a href="#"><u>822B012-173L001</u></a>	<a href="#"><u>822B012-173L901</u></a>
<a href="#"><u>822B003-173L601</u></a>	<a href="#"><u>822B004-173L001</u></a>	<a href="#"><u>822B004-173L601</u></a>	<a href="#"><u>822B014-173L501</u></a>	<a href="#"><u>822B002-173L001</u></a>	<a href="#"><u>822B026-173L701</u></a>
<a href="#"><u>822B003-173L801</u></a>	<a href="#"><u>822B006-173L901</u></a>	<a href="#"><u>822B002-173L701</u></a>	<a href="#"><u>822B008-173L001</u></a>	<a href="#"><u>822B016-173L901</u></a>	<a href="#"><u>822B003-173L701</u></a>
<a href="#"><u>822B016-173L501</u></a>	<a href="#"><u>822B019-173L001</u></a>	<a href="#"><u>822B003-173L001</u></a>	<a href="#"><u>822B002-173L901</u></a>	<a href="#"><u>822B004-173L501</u></a>	<a href="#"><u>822B026-173L001</u></a>
<a href="#"><u>822B012-173L801</u></a>	<a href="#"><u>822B010-173L001</u></a>	<a href="#"><u>822B026-173L901</u></a>	<a href="#"><u>822B008-173L801</u></a>	<a href="#"><u>822B019-173L801</u></a>	<a href="#"><u>822B014-173L001</u></a>