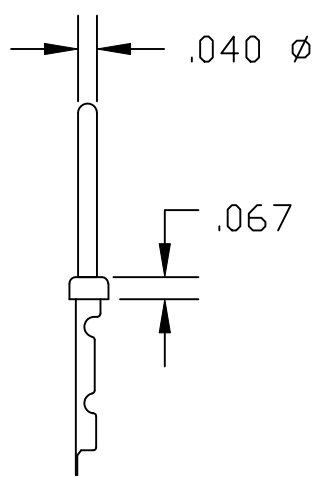
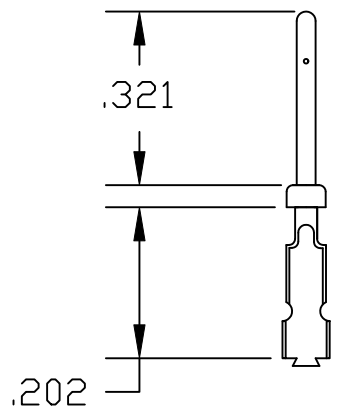


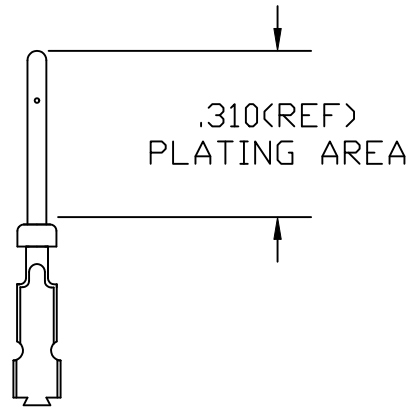
DESCRIPTION:




MATERIAL: BRASS  
 RoHS COMPLIANT  
 WIRE SIZE: 24 - 28 AWG

NOTE #1: CONTACTS SUPPLIED LOOSE PIECE (500 PER BAG)  
 NOTE #2: RECOMMENDED MAX. INSULATION DIAMETER FOR 24-28 IS .035".

GOLD PLATING THICKNESS IS BETWEEN 1u" AND 1.5u"



PLATING	WIRE SIZE:
	24-28
GOLD FLASH ON MATING AREA NICKEL ON WIRE CRIMP	170-101-170L001
.000010" GOLD OVER .000050" NICKEL ENTIRE CONTACT	170-101-170L002
.000030" GOLD OVER .000100" NICKEL ENTIRE CONTACT	170-101-170L003

	THESE DRAWINGS AND SPECIFICATIONS ARE THE PROPERTY OF NorComp AND SHALL NOT BE REPRODUCED, COPIED OR USED AS THE BASIS FOR THE MANUFACTURE OF SALE OF APPARATUS WITHOUT WRITTEN PERMISSION.		DRAWN: PAM JENKINS	DATE: 5-23-02
	NorComp		CHECKED:	DATE:
SCALE:			SHEET 1 OF 1	REV 2
DWG NO.			170-101-170L00Y	

# Mouser Electronics

Authorized Distributor

Click to View Pricing, Inventory, Delivery & Lifecycle Information:

[NorComp:](#)

[170-101-170L002](#) [170-101-170L001](#)