

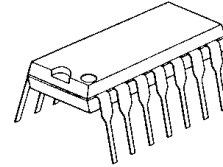
DC/DC CONVERTER CONTROL IC WITH CURRENT SENSE AMPLIFIER

■GENERAL DESCRIPTION

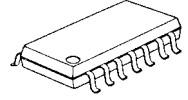
The **NJM2384** is a low voltage operation DC/DC converter control IC featuring high side current protection and soft start functions.

It is suitable for battery charger, power module application and on-board regulators.

■PACKAGE OUTLINE



NJM2384D



NJM2384M

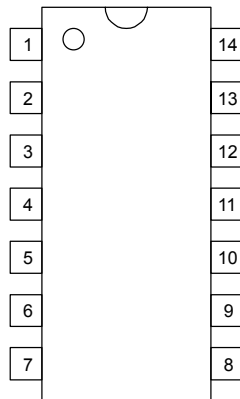
■FEATURES

- PWM switching control
- Operating Voltage 3.6V to 32V
- Wide Oscillator Range 5kHz to 500 kHz
- Current Sensing Amplifier
- Soft-Start Function
- UVLO (Under Voltage Lockouts)
- Bipolar Technology
- Package Outline DIP14, DMP14, SSOP10



NJM2384V

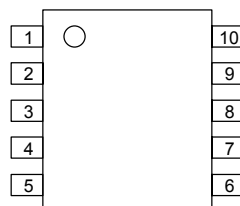
■PIN CONFIGURATION



NJM2384D
NJM2384M

PIN FUNCTION

1.NC	8.NC
2.IN ⁻ 1	9. V ⁺
3.IN ⁻ 2	10.CS
4.F.B	11.CT
5.GND	12.REF
6.OUT	13.IN ⁺
7.NC	14.NC



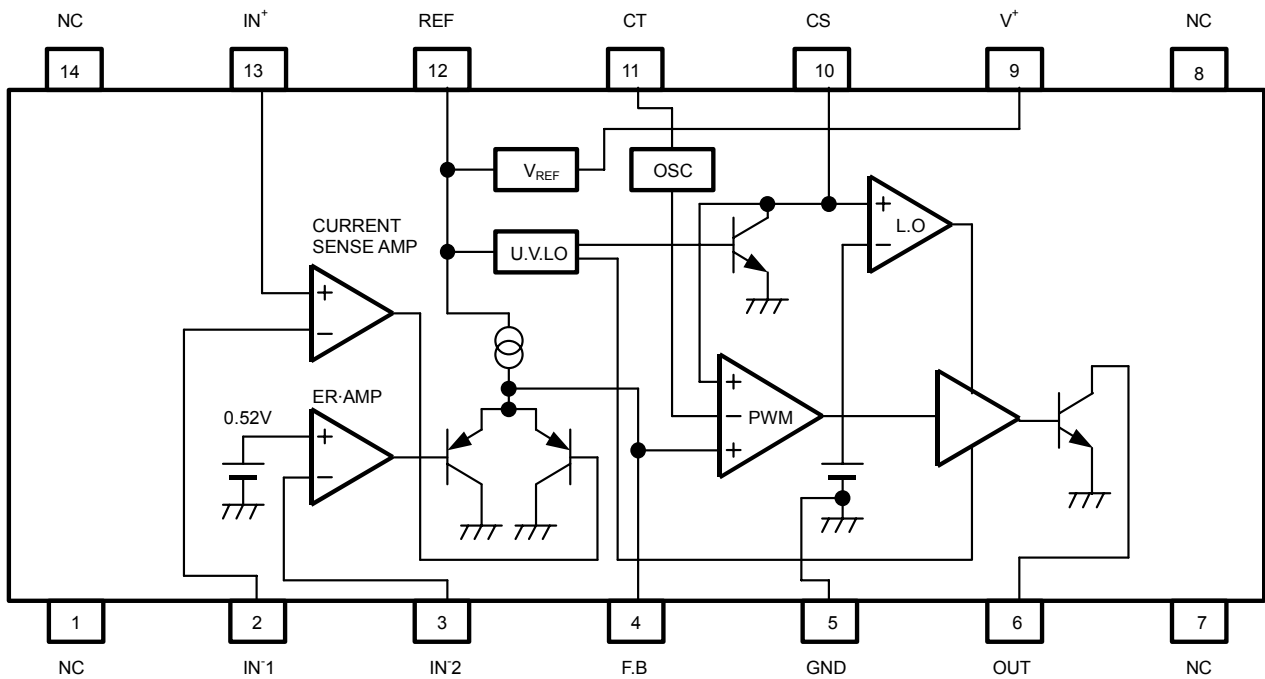
NJM2384V

PIN FUNCTION

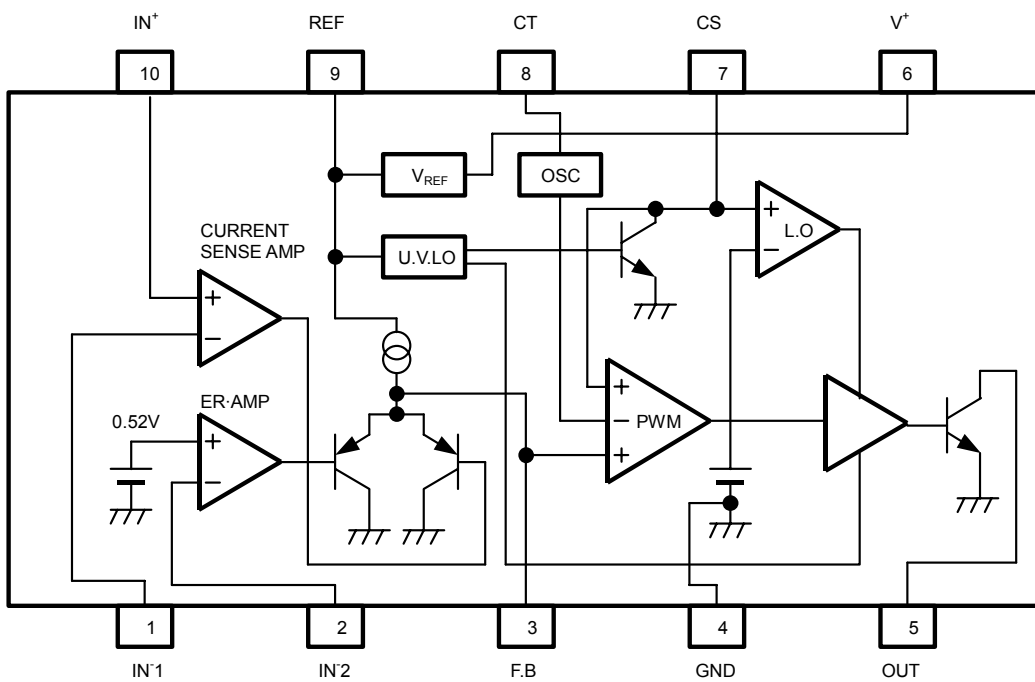
1.IN ⁻ 1	6. V ⁺
2.IN ⁻ 2	7.CS
3.F.B	8.CT
4.GND	9.REF
5.OUT	10.IN ⁺

NJM2384

■BLOCK DIAGRAM



(Package: DIP14, DMP14)



(Package: SSOP10)

■ABSOLUTE MAXIMUM RATINGS (Ta=25°C)

PARAMETER	SYMBOL	MAXIMUM RATINGS	UNIT
Input Voltage	V ⁺	36	V
Reference Output Current	I _{OR}	10	mA
Output Sink Current	I _{SINK}	200	mA
Differential Input Voltage	V _{ID}	2.5	V
Common Mode Input Voltage	V _{IC}	-0.3 ~ 2.5	V
Power Dissipation	P _D	(DIP 14) 700 (DMP 14) 300 (SSOP 10) 250	mW
Operating Temperature Range	T _{OPR}	-40 ~ +85	°C
Storage Temperature Range	T _{STG}	-50 ~ +150	°C

■ELECTRICAL CHARACTERISTICS (V⁺=6V, R_T=33kΩ, C_T=1000pF, Ta=25°C)

REFERENCE VOLTAGE BLOCK

PARAMETER	SYMBOL	TEST CONDITION	MIN.	TYP.	MAX.	UNIT
Output Voltage	V _{REF}	I _{OR} =1mA	2.45	2.50	2.55	V
Line Regulation	L _{INE}	V ⁺ =3.6 ~ 32V, I _{OR} =1mA	-	6.8	20.7	mV
Load Regulation	L _{OAD}	I _{OR} =0.1 ~ 5.0mA	-	5	30	mV

OSCILLATOR BLOCK

PARAMETER	SYMBOL	TEST CONDITION	MIN.	TYP.	MAX.	UNIT
Oscillation Frequency	f _{OSC}	R _T =33kΩ, C _T =1000pF	85	105	125	kHz
Oscillate Fluctuations1 (Line Fluctuations)	f _{dV}	V ⁺ =3.6 ~ 32V	-	1	-	%
Oscillate Fluctuations2 (Temp Fluctuations)	f _{dT}	Ta=-40°C ~ 85°C	-	5	-	%

CURRENT SENSE AMPLIFIER BLOCK

PARAMETER	SYMBOL	TEST CONDITION	MIN.	TYP.	MAX.	UNIT
Input Offset Voltage1	V _{IO1}		-	2	7	mV
Input Offset Current1	I _{IO1}		-	5	50	nA
Input Bias Current1	I _{B1}		-	5	100	nA
Open Loop Gain1	A _{V1}		-	90	-	dB
Gain Bandwidth Product1	G _{B1}		-	0.6	-	MHz
Input Common Mode Voltage Ratio1	V _{ICM1}		-	0 ~ V _{REF} -0.8	-	V
Maximum Output Voltage1 (F.B Pin)	V _{OM-1}	R _{NF} =100kΩ	-	-	1	V
Maximum Source Current1 (F.B Pin)	I _{OM+1}	V _{OM} =0.5V	40	85	200	μA

NJM2384

■ ELECTRICAL CHARACTERISTICS ($V^+=6V, R_T=33k\Omega, C_T=1000pF, T_a=25^\circ C$)

ERROR AMPLIFIER BLOCK

PARAMETER	SYMBOL	TEST CONDITION	MIN.	TYP.	MAX.	UNIT
Reference Voltage ₂	V_{B2}		0.51	0.52	0.53	V
Input Bias Current ₂	I_{B2}		–	5	100	nA
Open Loop Gain ₂	A_{v2}		–	90	–	dB
Gain Bandwidth Product ₂	G_{B2}		–	0.6	–	MHz
Maximum Output Voltage ₂ (F.B Pin)	V_{OM-2}	$R_{NF}=100k\Omega$	–	–	1	V
Maximum Source Current ₂ (F.B Pin)	I_{OM+2}	$V_{OM}=0.5V$	40	85	200	μA

PWM COMPARATE BLOCK

PARAMETER	SYMBOL	TEST CONDITION	MIN.	TYP.	MAX.	UNIT
Input Threshold Voltage (F.B Pin)	V_{TH0}	duty·cycle=0% (note)	–	1.65	1.75	V
Input Threshold Voltage (F.B Pin)	V_{TH100}	duty·cycle=100% (note)	–	2.10	–	V

SOFT START CIRCUIT BLOCK

PARAMETER	SYMBOL	TEST CONDITION	MIN.	TYP.	MAX.	UNIT
Input Bias Current (CS Pin)	I_{BCS}	CS Pin=1.8V	–	250	650	nA
Input Threshold Voltage (CS Pin)	V_{THCS0}	duty·cycle=0% (note)	–	0.25	0.35	V
Input Threshold Voltage (CS Pin)	V_{THCS50}	duty·cycle=100% (note)	–	0.7	–	V

UNDER VOLTAGE LOCKOUT BLOCK

PARAMETER	SYMBOL	TEST CONDITION	MIN.	TYP.	MAX.	UNIT
ON Threshold Voltage	V_{THON}		–	2.70	–	V
OFF Threshold Voltage	V_{THOFF}		–	2.52	–	V
Hysteresis Voltage	V_{HYS}		60	180	–	mV

OUTPUT BLOCK

PARAMETER	SYMBOL	TEST CONDITION	MIN.	TYP.	MAX.	UNIT
L Output Voltage (OUT Pin)	V_{OL}	Output Sink Current=100mA	–	0.25	0.65	V

GENERAL CHARACTERISTICS

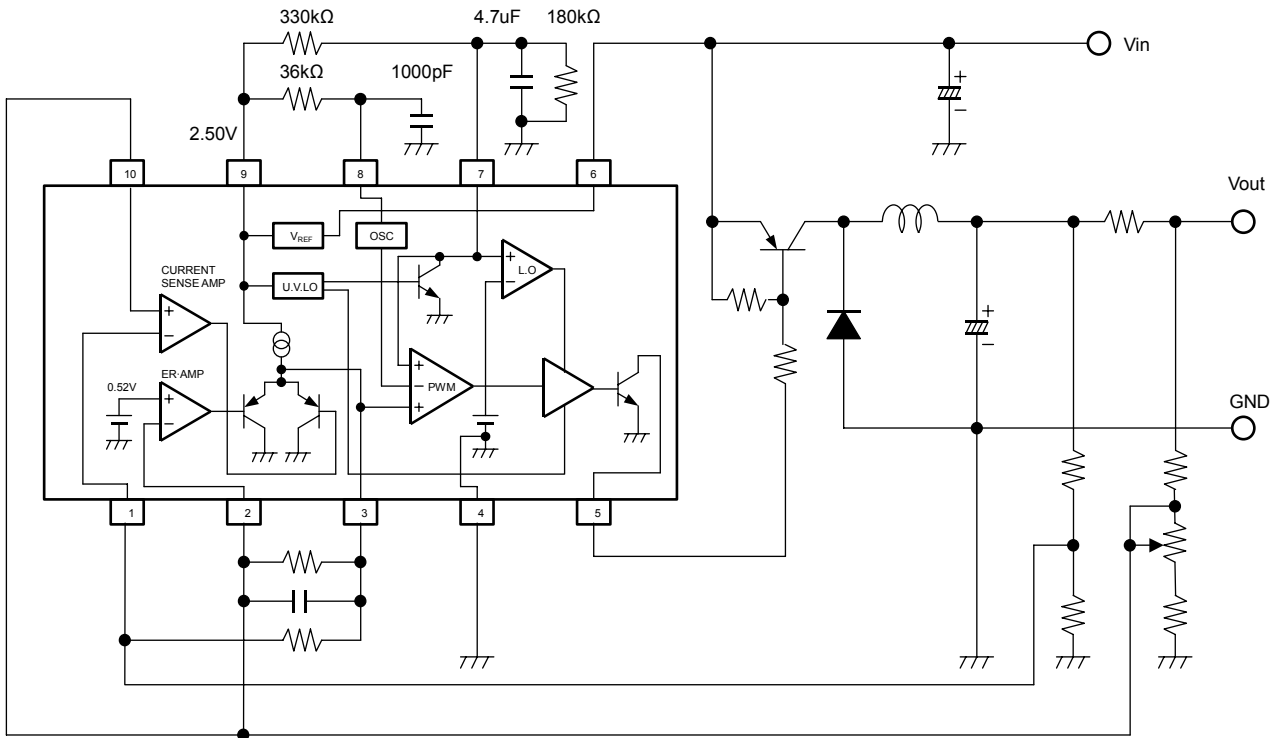
PARAMETER	SYMBOL	TEST CONDITION	MIN.	TYP.	MAX.	UNIT
Latch Mode Threshold Voltage (CS Pin)	V_{THLA}		1.2	1.5	1.8	V
Quiescent Current	I_{CCLA}	Latch Mode	–	1.6	2.2	mA
Average Quiescent Current	I_{CCAV}	$RL = \infty$, duty·cycle=50%	–	5.5	10	mA

(note) Duty·Cycle is defined as follows:

Duty·Cycle=0%: IC output transistor is OFF.

Duty·Cycle=100%: IC output transistor is ON.

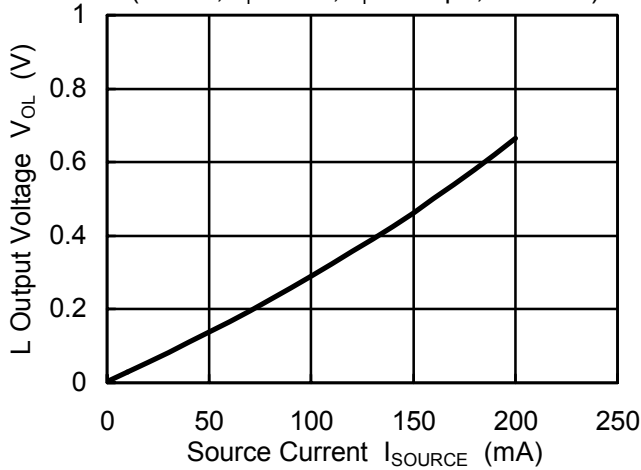
■ TYPICAL APPLICATIONS



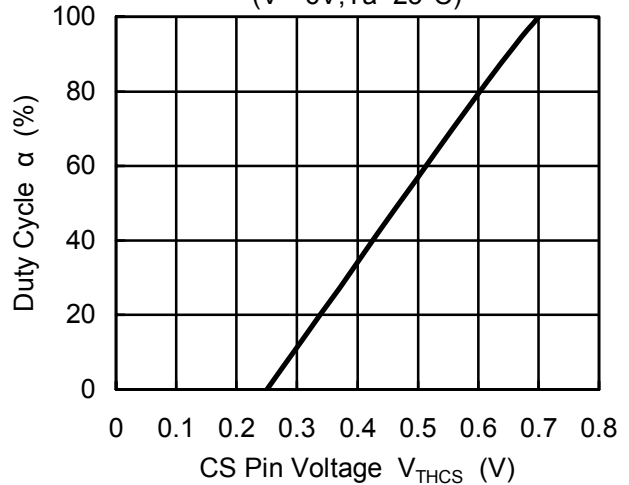
(Package:SSOP10)

■ TYPICAL CHARACTERISTICS

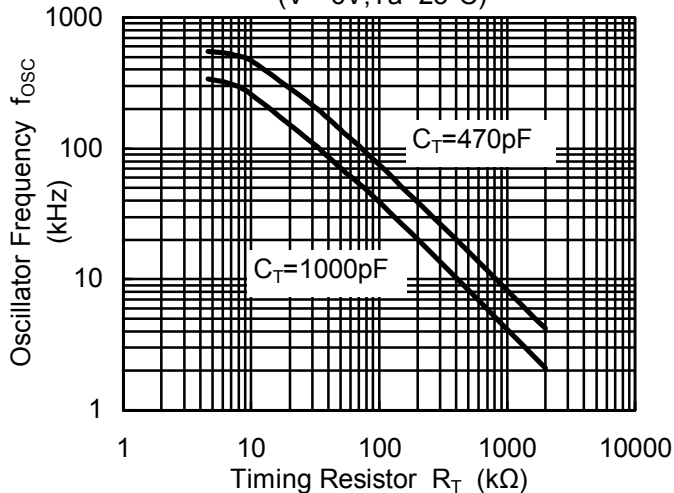
L Output Voltage vs. Source Current
($V^+=6V, R_T=33k\Omega, C_T=1000pF, T_a=25^\circ C$)



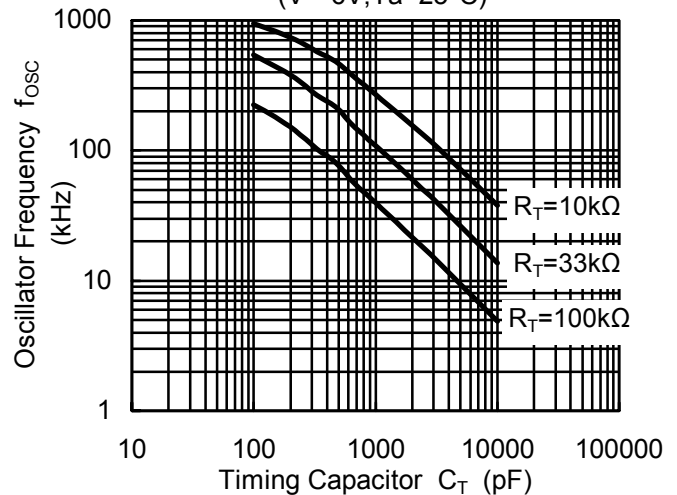
Duty Cycle vs. CS Pin Voltage
($V^+=6V, T_a=25^\circ C$)



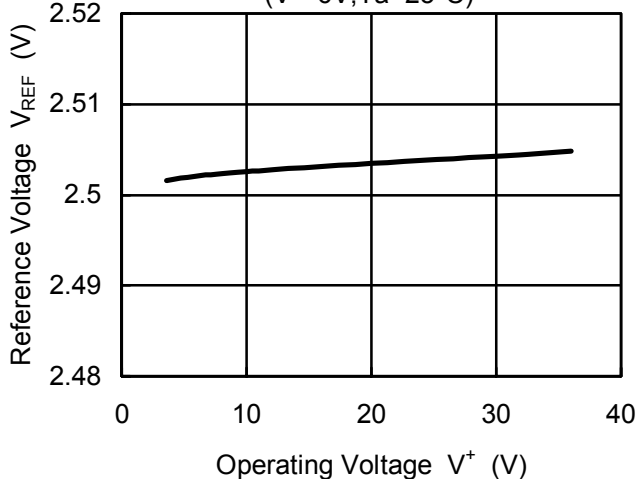
Oscillator Frequency vs. Timing Resistor
($V^+=6V, T_a=25^\circ C$)



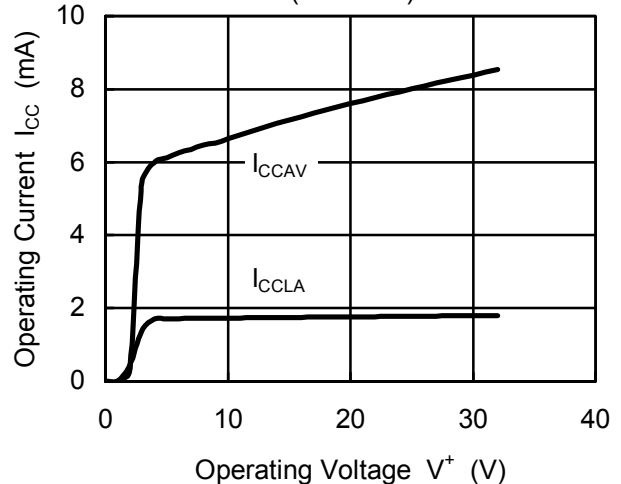
Oscillator Frequency vs. Timing Capacitor
($V^+=6V, T_a=25^\circ C$)



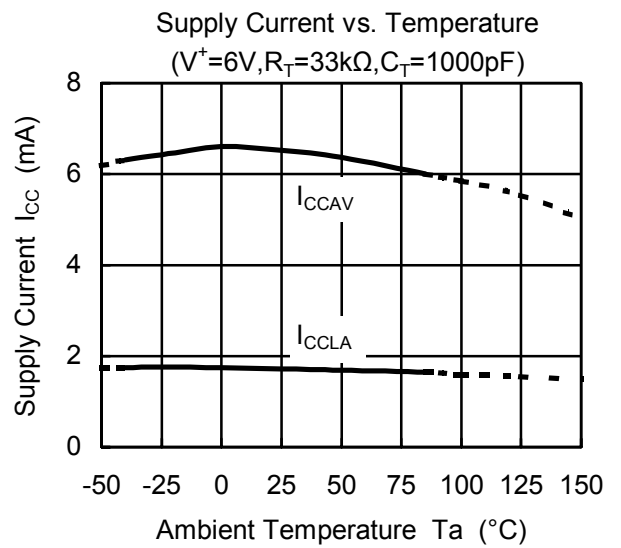
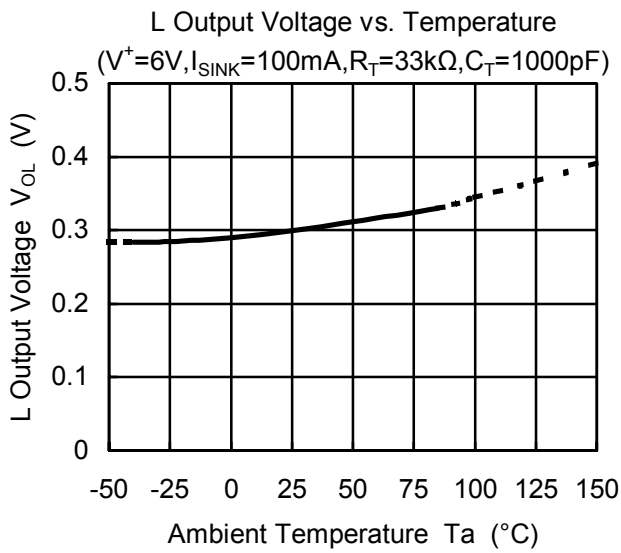
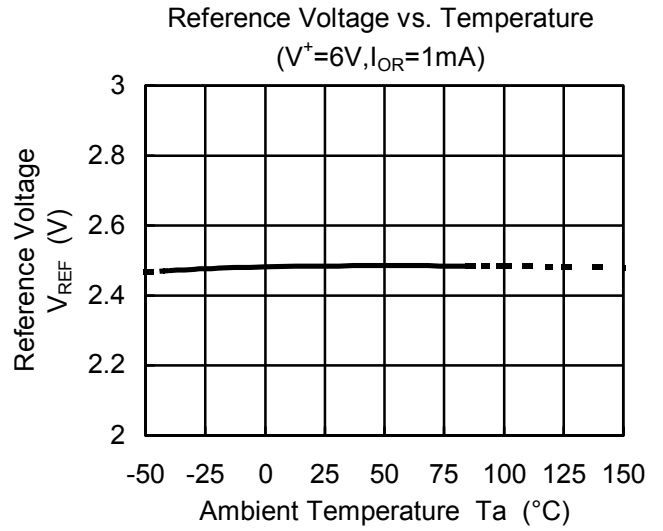
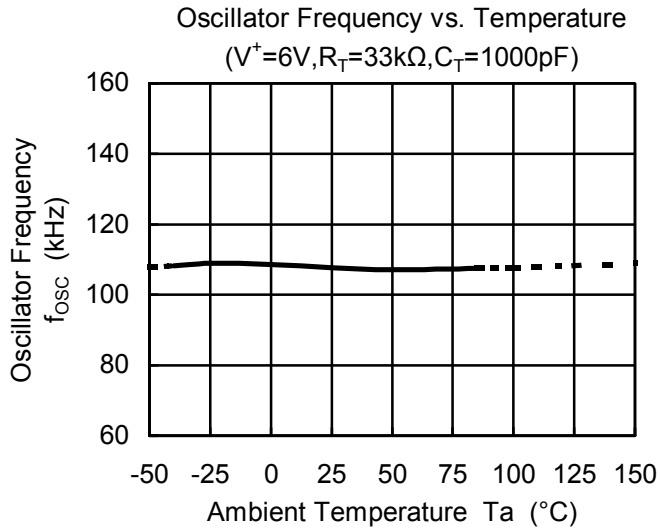
Reference Voltage vs. Operating Voltage
($V^+=6V, T_a=25^\circ C$)



Operating Current vs. Operating Voltage
($T_a=25^\circ C$)



■ TYPICAL CHARACTERISTICS



[CAUTION]

The specifications on this databook are only given for information, without any guarantee as regards either mistakes or omissions. The application circuits in this databook are described only to show representative usages of the product and not intended for the guarantee or permission of any right including the industrial rights.

Mouser Electronics

Authorized Distributor

Click to View Pricing, Inventory, Delivery & Lifecycle Information:

[Nisshinbo Micro Devices:](#)

[NJM2384V-TE1](#)