

LOW VOLTAGE POWER AMPLIFIER

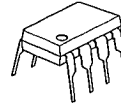
■ GENERAL DESCRIPTION

NJM2070 is a power amplification monolithic IC of wide Operating voltage range. It is applied for audio power amplifier in portable radio and handy cassette player.

■ FEATURES

- Operating Voltage (1.8V~15V)
- Low Operating Current 4mA (typ : $V^+=6V$)
- Package Outline DIP8, DMP8
- Bipolar Technology

■ PACKAGE OUTLINE

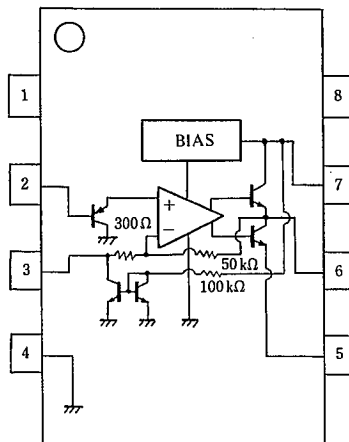


NJM2070D



NJM2070M

■ PIN CONFIGURATION



NJM2070D
NJM2070M

PIN FUNCTION

1. NC
2. +INPUT
3. -INPUT
4. GND
5. GND
6. OUTPUT
7. V^+
8. NC

■ ABSOLUTE MAXIMUM RATINGS

($T_a=25^\circ\text{C}$)

PARAMETER	SYMBOL	RATINGS	UNIT
Supply Voltage	V^+	15	V
Output Peak Current	I_{OP}	1	A
Power Dissipation	P_D	(DIP8) 700 (DMP8) 500 (note)	mW
Operating Temperature Range	T_{opr}	-40 ~ +85	$^\circ\text{C}$
Storage Temperature Range	T_{stg}	-40 ~ +125	$^\circ\text{C}$

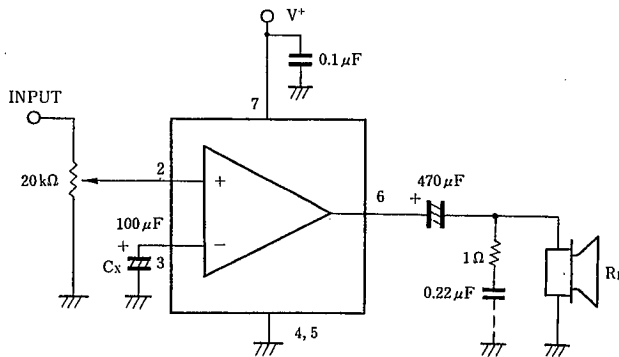
(note) At on PC board

■ ELECTRICAL CHARACTERISTICS

($V^+=6\text{V}$, $T_a=25^\circ\text{C}$)

PARAMETER	SYMBOL	TEST CONDITION	MIN.	TYP.	MAX.	UNIT
Operating Voltage	V^+		1.8	—	15	V
Output Voltage	V_O		—	2.7	—	V
Operating Current	I_{CC}	$R_L = \infty$	—	4	7	mA
Input Bias Current	I_{IB}		—	200	—	nA
Output Power	P_O	THD=10%, $f=1\text{kHz}$				
	P_O	$V^+=6\text{V}$, $R_L=4\Omega$	0.5	0.6	—	W
	P_O	$V^+=4.5\text{V}$, $R_L=4\Omega$	—	0.32	—	W
	P_O	$V^+=3\text{V}$, $R_L=4\Omega$	—	120	—	mW
	P_O	$V^+=2\text{V}$, $R_L=4\Omega$	—	30	—	mW
	P_O	THD=1%, $f=1\text{kHz}$				
	P_O	$V^+=6\text{V}$, $R_L=4\Omega$	—	500	—	mW
	P_O	$V^+=4.5\text{V}$, $R_L=4\Omega$	—	250	—	mW
Total Harmonic Distortion	THD	$P_O=0.4\text{W}$, $R_L=4\Omega$, $f=1\text{kHz}$	—	0.25	—	%
Voltage Gain	A_V	$f=1\text{kHz}$	41	44	47	dB
Input Impedance	Z_{IN}	$f=1\text{kHz}$	100	—	—	k Ω
Equivalent Input Noise Voltage	V_{NI1}	$R_S=10\text{k}\Omega$, A Curve	—	2.5	—	μV
	V_{NI2}	$R_S=10\text{k}\Omega$, B=22Hz~22kHz	—	3	—	μV
Ripple Rejection	RR	$f=100\text{Hz}$, $C_X=100\mu\text{F}$	24	30	—	dB
Cut Off Frequency	f_H	$A_V=-3\text{dB}$ from $f=1\text{kHz}$ $R=8\Omega$, $P_O=250\text{mW}$	—	200	—	kHz

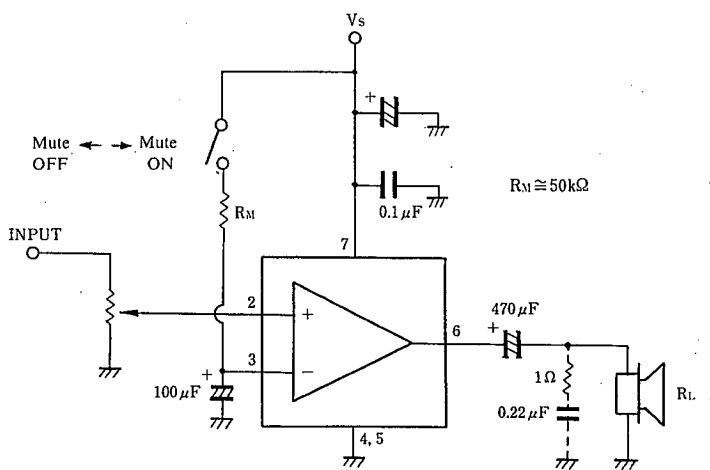
■ TYPICAL APPLICATION AND TEST CIRCUIT



■ OSCILLATION PREVENTION

Put in series a 1Ω resistor and a $0.22\mu\text{F}$ capacitor on parallel to load, if the load is speaker. Recommend putting in parallel between pin 4 and pin 7, $0.1\mu\text{F}$ and more than $100\mu\text{F}$ capacitors with good high frequency characteristics near to the ground and supply voltage pins on parallel.

■ MUTING CIRCUIT



MEMO

[CAUTION]

The specifications on this databook are only given for information, without any guarantee as regards either mistakes or omissions. The application circuits in this databook are described only to show representative usages of the product and not intended for the guarantee or permission of any right including the industrial rights.

Mouser Electronics

Authorized Distributor

Click to View Pricing, Inventory, Delivery & Lifecycle Information:

[NJR:](#)

[NJM2070M-TE2](#) [NJM2070M-TE3](#) [NJM2070M-TE1](#) [NJM2070D](#) [NJM2070M](#) [NJM2070M-T1](#) [NJM2070M-T2](#)