

NHD-C12864WC-FSW-FBW-3V3-M

COG (Chip-On-Glass) Liquid Crystal Display Module

| | |
|---------|--------------------------|
| NHD- | Newhaven Display |
| C12864- | 128 x 64 Pixels |
| WM- | Model |
| F- | Transflective |
| SW- | Side White LED Backlight |
| F- | FSTN, Positive |
| B- | 6:00 Optimal View |
| W- | Wide Temp. |
| 3V3- | 3.0V LCD, 3.0V Backlight |
| M- | Mounting Holes |
| | RoHS Compliant |

Newhaven Display International, Inc.

2661 Galvin Court
Elgin IL, 60124

Ph: 847-844-8795

Fax: 847-844-8796

www.newhavendisplay.com

nhtech@newhavendisplay.com

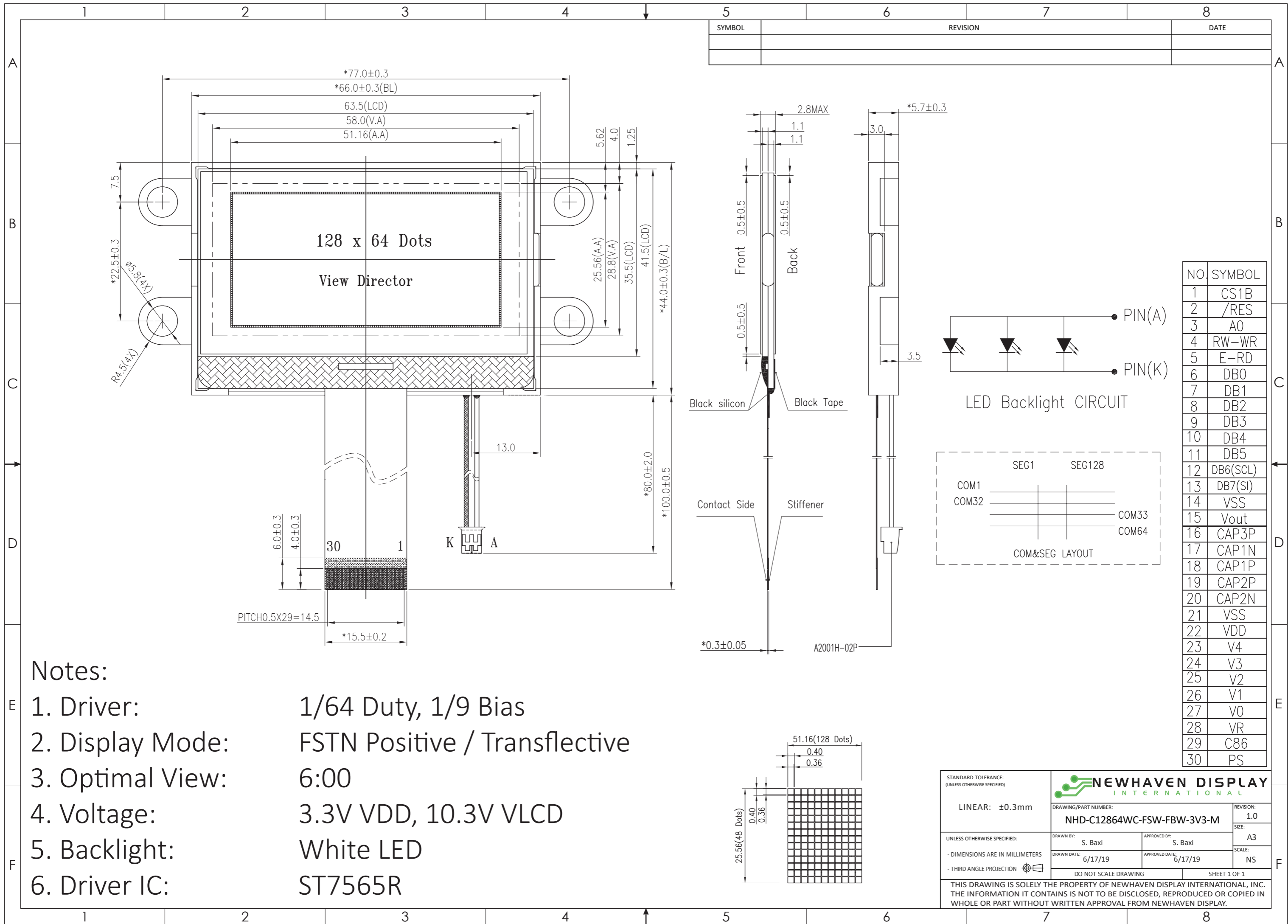
nhsales@newhavendisplay.com

Document Revision History

| Revision | Date | Description | Changed by |
|----------|----------|--|------------|
| 0 | 10/12/10 | Initial Release | MC |
| 1 | 5/25/10 | Electrical characteristics updated | AK |
| 2 | 4/4/13 | Backlight mating connector part number updated | AK |
| 3 | 3/16/15 | Pin Description updated | RM |
| 4 | 9/30/15 | Wiring Diagram updated, Backlight Current rating added | SB |
| 5 | 9/13/16 | Capacitor Values Adjusted | SB |
| 6 | 2/22/19 | Mechanical Drawing Updated, Supply Current Updated | SB |
| 7 | 3/3/19 | Backlight Current Updated | SB |

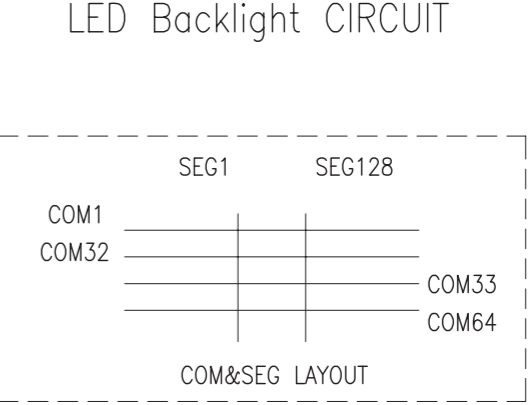
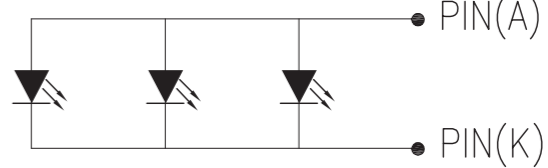
Functions and Features

- 128 x 64 pixels
- Built-in ST7565R controller
- Parallel/Serial interface
- 1/64 duty cycle; 1/9 bias
- RoHS Compliant



| SYMBOL | REVISION | DATE |
|--------|----------|------|
| | | |

| NO. | SYMBOL |
|-----|----------|
| 1 | CS1B |
| 2 | /RES |
| 3 | A0 |
| 4 | RW-WR |
| 5 | E-RD |
| 6 | DB0 |
| 7 | DB1 |
| 8 | DB2 |
| 9 | DB3 |
| 10 | DB4 |
| 11 | DB5 |
| 12 | DB6(SCL) |
| 13 | DB7(SI) |
| 14 | VSS |
| 15 | Vout |
| 16 | CAP3P |
| 17 | CAP1N |
| 18 | CAP1P |
| 19 | CAP2P |
| 20 | CAP2N |
| 21 | VSS |
| 22 | VDD |
| 23 | V4 |
| 24 | V3 |
| 25 | V2 |
| 26 | V1 |
| 27 | V0 |
| 28 | VR |
| 29 | C86 |
| 30 | PS |



- Notes:
- 1. Driver: 1/64 Duty, 1/9 Bias
 - 2. Display Mode: FSTN Positive / Transflective
 - 3. Optimal View: 6:00
 - 4. Voltage: 3.3V VDD, 10.3V VLCD
 - 5. Backlight: White LED
 - 6. Driver IC: ST7565R

STANDARD TOLERANCE: (UNLESS OTHERWISE SPECIFIED)
 LINEAR: ±0.3mm

UNLESS OTHERWISE SPECIFIED:
 - DIMENSIONS ARE IN MILLIMETERS
 - THIRD ANGLE PROJECTION

DO NOT SCALE DRAWING

THIS DRAWING IS SOLELY THE PROPERTY OF NEWHAVEN DISPLAY INTERNATIONAL, INC. THE INFORMATION IT CONTAINS IS NOT TO BE DISCLOSED, REPRODUCED OR COPIED IN WHOLE OR PART WITHOUT WRITTEN APPROVAL FROM NEWHAVEN DISPLAY.

NEWHAVEN DISPLAY INTERNATIONAL

DRAWING/PART NUMBER: NHD-C12864WC-FSW-FBW-3V3-M

REVISION: 1.0

SIZE: A3

SCALE: NS

SHEET 1 OF 1

DRAWN BY: S. Baxi
 APPROVED BY: S. Baxi
 DRAWN DATE: 6/17/19
 APPROVED DATE: 6/17/19

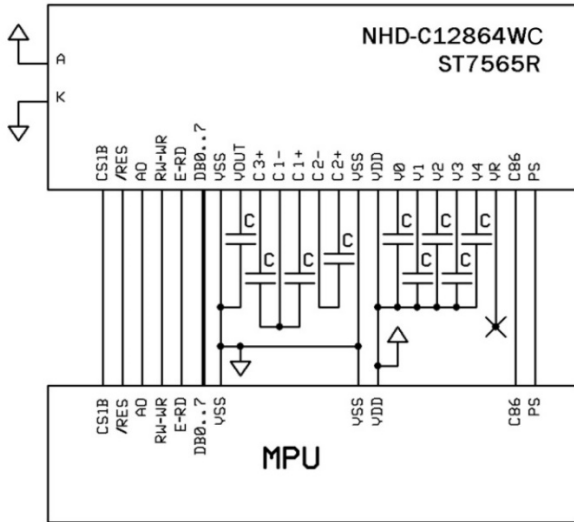
Pin Description and Wiring Diagram

| Pin No. | Symbol | External Connection | Function Description | |
|---------|------------|---------------------|--|--|
| 1 | CS1B | MPU | Active LOW chip select | |
| 2 | /RES | MPU | Active LOW Reset signal | |
| 3 | A0 | MPU | Register Select signal. A0=0: Command, A0=1: Data | |
| 4 | R/W /WR | MPU | 6800 Mode: Read/Write select signal. R/W=1: Read R/W: =0: Write 8080 Mode: Active LOW Write Signal | |
| 5 | E /RD | MPU | 6800 Mode: Active HIGH Enable Signal 8080 Mode: Active LOW Read Signal | |
| 6 | DB0 | MPU | Parallel Interface DB0-DB7: Bi-directional 8-bit data bus Serial Interface: DB0-DB5: No connect in serial mode DB6 = Serial clock DB7 = Serial data | |
| 7 | DB1 | MPU | | |
| 8 | DB2 | MPU | | |
| 9 | DB3 | MPU | | |
| 10 | DB4 | MPU | | |
| 11 | DB5 | MPU | | |
| 12 | DB6(SCL) | MPU | | |
| 13 | DB7(SI) | MPU | | |
| 14 | VSS | Power Supply | | Ground (reference for voltage step-up circuit) |
| 15 | VOUT | Power Supply | | Connect capacitor to VSS (PIN-14) (1.0-2.2 μ F) |
| 16 | CAP3+ | Power Supply | | Connect capacitor to CAP1- (PIN-17) (1.0-2.2 μ F) |
| 17 | CAP1- | Power Supply | | Connect capacitor to CAP3+(PIN16) and CAP1+(PIN18) (1.0-2.2 μ F) |
| 18 | CAP1+ | Power Supply | | Connect capacitor to CAP1- (PIN-17) (1.0-2.2 μ F) |
| 19 | CAP2+ | Power Supply | Connect capacitor to CAP2- (PIN-20) (1.0-2.2 μ F) | |
| 20 | CAP2- | Power Supply | Connect capacitor to CAP2+ (PIN-19) (1.0-2.2 μ F) | |
| 21 | VSS | Power Supply | Ground | |
| 22 | VDD | Power Supply | Supply voltage for LCD and logic (3.0V) | |
| 23~27 | V4~V0 | Power Supply | 0.1 – 1.0 μ F capacitor to V _{DD} or V _{SS} | |
| 28 | VR | - | No Connect | |
| 29 | C86 | MPU | Select MPU interface pin. C86=H: 6800; C86=L: 8080 | |
| 30 | PS | MPU | Parallel/Serial Select. PS= H: Parallel; PS=L: Serial | |
| A | LED+ | Power Supply | Backlight Anode (+3.0V) | |
| K | LED- | Power Supply | Backlight Cathode (Ground) | |

Recommended LCD connector: 0.5mm Pitch, 30 pin FFC. Molex p/n: 52892-3095

Backlight connector: A2001H-2P **Mates with:** A2001WR-2P, A2001WR-S-2P, A2001WV-2P, A2001WV-S-2P

Wiring Diagram



Electrical Characteristics

| Item | Symbol | Condition | Min. | Typ. | Max. | Unit |
|-----------------------------|-----------|---|----------------|------|----------------|-------------|
| Operating Temperature Range | T_{OP} | Absolute Max | -20 | - | +70 | $^{\circ}C$ |
| Storage Temperature Range | T_{ST} | Absolute Max | -30 | - | +80 | $^{\circ}C$ |
| Supply Voltage | V_{DD} | - | 3.0 | 3.3 | 3.6 | V |
| Supply Current | I_{DD} | $V_{DD} = 3.3V$ $T_{OP} = 25^{\circ}C$ | 0.1 | 0.32 | 1.20 | mA |
| Supply for LCD (contrast) | V_{LCD} | | 10.0 | 10.3 | 10.6 | V |
| "H" Level input | V_{IH} | - | $0.8 * V_{DD}$ | - | V_{DD} | V |
| "L" Level input | V_{IL} | - | V_{SS} | - | $0.2 * V_{DD}$ | V |
| "H" Level output | V_{OH} | - | $0.8 * V_{DD}$ | - | V_{DD} | - |
| "L" Level output | V_{OL} | - | V_{SS} | - | $0.2 * V_{DD}$ | - |
| | | | | | | |
| LED BKL voltage | V_{LED} | - | 2.8 | 3.0 | 3.2 | V |
| LED BKL current | I_{LED} | $V_{LED} = 3.0V$ | 21 | 36 | 55 | mA |

Optical Characteristics

| Item | Symbol | Condition | Min. | Typ. | Max. | Unit |
|------------------------|--------|------------------------|------|------|------|------------|
| Optimal Viewing Angles | Top | $CR \geq 2$ | - | 20 | - | $^{\circ}$ |
| | Bottom | | - | 40 | - | $^{\circ}$ |
| | Left | | - | 45 | - | $^{\circ}$ |
| | Right | | - | 45 | - | $^{\circ}$ |
| Contrast Ratio | CR | - | 2 | 8 | - | - |
| Response Time | Rise | $T_{OP} = 25^{\circ}C$ | - | 150 | 300 | ms |
| | Fall | | - | 150 | 200 | ms |

Controller Information

Built-in ST7565R controller.

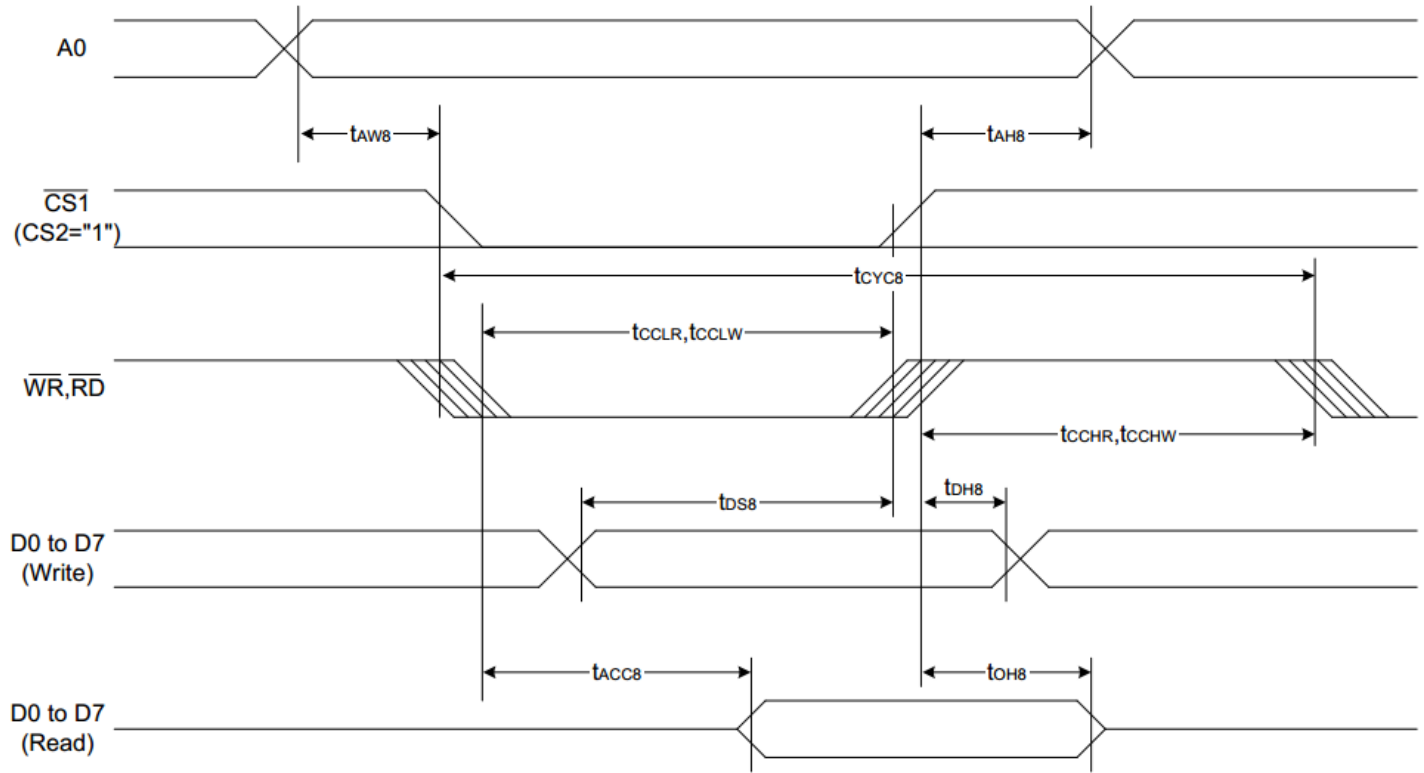
Please download specification at http://www.newhavendisplay.com/app_notes/ST7565R.pdf

Table of Commands

| Command | Command Code | | | | | | | | | Function | | | |
|---|--------------|-----|-----|------------|----|-------------------------|----|----------------------------------|----------------|----------|---------------|---|---|
| | A0 | /RD | /WR | D7 | D6 | D5 | D4 | D3 | D2 | | D1 | D0 | |
| (1) Display ON/OFF | 0 | 1 | 0 | 1 | 0 | 1 | 0 | 1 | 1 | 1 | 0 | 1 | LCD display ON/OFF 0: OFF, 1: ON |
| (2) Display start line set | 0 | 1 | 0 | 0 | 1 | Display start address | | | | | 0 | Sets the display RAM display start line address | |
| (3) Page address set | 0 | 1 | 0 | 1 | 0 | 1 | 1 | Page address | | | | 0 | Sets the display RAM page address |
| (4) Column address set upper bit | 0 | 1 | 0 | 0 | 0 | 0 | 1 | Most significant column address | | | | 0 | Sets the most significant 4 bits of the display RAM column address. |
| Column address set lower bit | | | | 0 | 0 | 0 | 0 | Least significant column address | | | | 0 | Sets the least significant 4 bits of the display RAM column address. |
| (5) Status read | 0 | 0 | 1 | Status | | | | 0 | 0 | 0 | 0 | 0 | Reads the status data |
| (6) Display data write | 1 | 1 | 0 | Write data | | | | | | | 0 | Writes to the display RAM | |
| (7) Display data read | 1 | 0 | 1 | Read data | | | | | | | 0 | Reads from the display RAM | |
| (8) ADC select | 0 | 1 | 0 | 1 | 0 | 1 | 0 | 0 | 0 | 0 | 0 | 0 | Sets the display RAM address SEG output correspondence 0: normal, 1: reverse |
| (9) Display normal/reverse | 0 | 1 | 0 | 1 | 0 | 1 | 0 | 0 | 1 | 1 | 0 | 1 | Sets the LCD display normal/ reverse 0: normal, 1: reverse |
| (10) Display all points ON/OFF | 0 | 1 | 0 | 1 | 0 | 1 | 0 | 0 | 1 | 0 | 0 | 1 | Display all points 0: normal display 1: all points ON |
| (11) LCD bias set | 0 | 1 | 0 | 1 | 0 | 1 | 0 | 0 | 0 | 1 | 0 | 1 | Sets the LCD drive voltage bias ratio 0: 1/9 bias, 1: 1/7 bias (ST7565R) |
| (12) Read-modify-write | 0 | 1 | 0 | 1 | 1 | 1 | 0 | 0 | 0 | 0 | 0 | 0 | Column address increment At write: +1 At read: 0 |
| (13) End | 0 | 1 | 0 | 1 | 1 | 1 | 0 | 1 | 1 | 1 | 0 | 0 | Clear read/modify/write |
| (14) Reset | 0 | 1 | 0 | 1 | 1 | 1 | 0 | 0 | 0 | 0 | 1 | 0 | Internal reset |
| (15) Common output mode select | 0 | 1 | 0 | 1 | 1 | 0 | 0 | 0 | * | * | * | 1 | Select COM output scan direction 0: normal direction 1: reverse direction |
| (16) Power control set | 0 | 1 | 0 | 0 | 0 | 1 | 0 | 1 | Operating mode | | | 0 | Select internal power supply operating mode |
| (17) V ₀ voltage regulator internal resistor ratio set | 0 | 1 | 0 | 0 | 0 | 1 | 0 | 0 | Resistor ratio | | | 0 | Select internal resistor ratio(Rb/Ra) mode |
| (18) Electronic volume mode set | 0 | 1 | 0 | 1 | 0 | 0 | 0 | 0 | 0 | 0 | 0 | 1 | Set the V ₀ output voltage electronic volume register |
| Electronic volume register set | | | | 0 | 0 | Electronic volume value | | | | | 0 | | |
| (19) Sleep mode set | 0 | 1 | 0 | 1 | 0 | 1 | 0 | 1 | 1 | 0 | 0 | 1 | 0: Sleep mode, 1: Normal mode |
| (20) Booster ratio set | 0 | 1 | 0 | 1 | 1 | 1 | 1 | 1 | 0 | 0 | 0 | 0 | select booster ratio 00: 2x,3x,4x 01: 5x 11: 6x |
| | | | | 0 | 0 | 0 | 0 | 0 | 0 | 0 | step-up value | | |
| (21) NOP | 0 | 1 | 0 | 1 | 1 | 1 | 0 | 0 | 0 | 0 | 1 | 1 | Command for non-operation |
| (22) Test | 0 | 1 | 0 | 1 | 1 | 1 | 1 | * | * | * | * | * | Command for IC test. Do not use this command |

Timing Characteristics

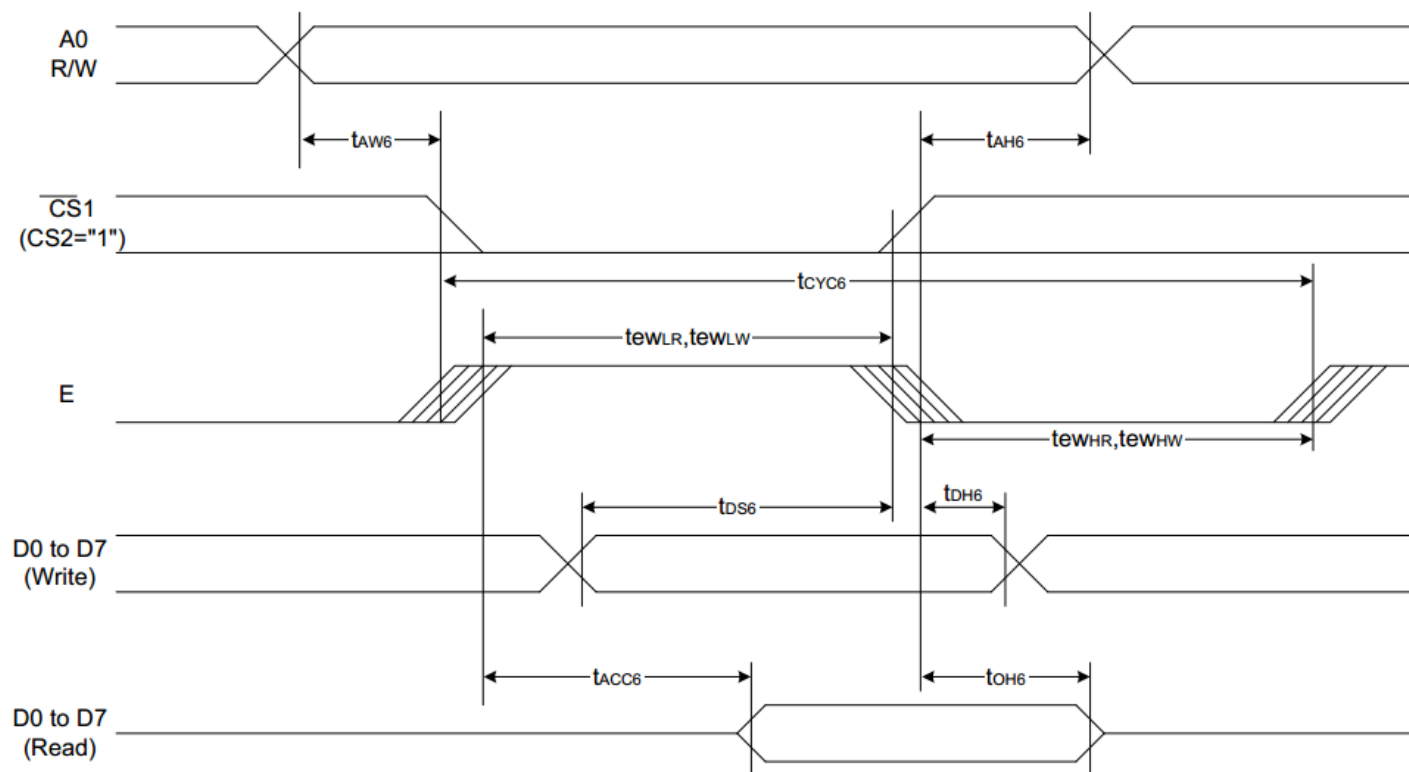
System Bus Read/Write Characteristics 1 (For the 8080 Series MPU)



($V_{DD} = 3.3V$, $T_a = -30$ to $85^\circ C$)

| Item | Signal | Symbol | Condition | Rating | | Units |
|------------------------------|----------|--------|-------------|--------|------|-------|
| | | | | Min. | Max. | |
| Address hold time | A0 | tAH8 | | 0 | — | Ns |
| Address setup time | | tAW8 | | 0 | — | |
| System cycle time | | tCYC8 | | 240 | — | |
| Enable L pulse width (WRITE) | WR | tCCLW | | 80 | — | |
| Enable H pulse width (WRITE) | | tCCHW | | 80 | — | |
| Enable L pulse width (READ) | RD | tCCLR | | 140 | — | |
| Enable H pulse width (READ) | | tCCHR | | 80 | — | |
| WRITE Data setup time | D0 to D7 | tDS8 | | 40 | — | |
| WRITE Address hold time | | tDH8 | | 0 | — | |
| READ access time | | tACC8 | CL = 100 pF | — | 70 | |
| READ Output disable time | | tOH8 | CL = 100 pF | 5 | 50 | |

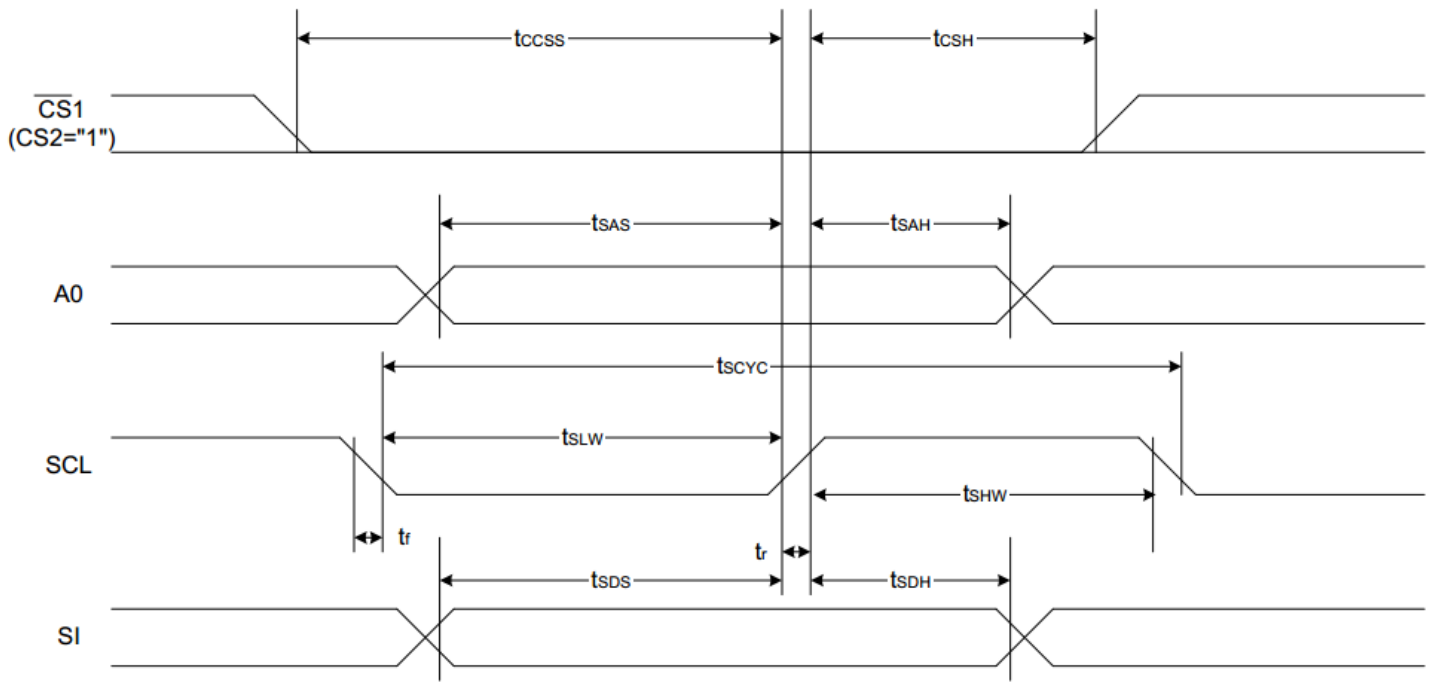
System Bus Read/Write Characteristics 2 (For the 6800 Series MPU)



(V_{DD} = 3.3V, T_a = -30 to 85°C)

| Item | Signal | Symbol | Condition | Rating | | Units |
|------------------------------|----------|-------------------|-------------|--------|------|-------|
| | | | | Min. | Max. | |
| Address hold time | A0 | t _{AH6} | | 0 | — | ns |
| Address setup time | | t _{AW6} | | 0 | — | |
| System cycle time | | t _{CYC6} | | 240 | — | |
| Enable L pulse width (WRITE) | WR | t _{EWLW} | | 80 | — | |
| Enable H pulse width (WRITE) | | t _{EWHW} | | 80 | — | |
| Enable L pulse width (READ) | RD | t _{EWLR} | | 80 | — | |
| Enable H pulse width (READ) | | t _{EWHR} | | 140 | — | |
| WRITE Data setup time | D0 to D7 | t _{DSE} | | 40 | — | |
| WRITE Address hold time | | t _{DH6} | | 0 | — | |
| READ access time | | t _{ACC6} | CL = 100 pF | — | 70 | |
| READ Output disable time | | t _{OH6} | CL = 100 pF | 5 | 50 | |

The 4-line SPI Interface



($V_{\text{DD}} = 3.3\text{V}$, $T_{\text{a}} = -30$ to 85°C)

| Item | Signal | Symbol | Condition | Rating | | Units |
|-------------------------|--------|-------------------|-----------|--------|------|-------|
| | | | | Min. | Max. | |
| 4-line SPI Clock Period | SCL | T_{scyc} | | 50 | — | ns |
| SCL "H" pulse width | | T_{shw} | | 25 | — | |
| SCL "L" pulse width | | T_{SLW} | | 25 | — | |
| Address setup time | A0 | T_{SAS} | | 20 | — | |
| Address hold time | | T_{sah} | | 10 | — | |
| Data setup time | SI | T_{sds} | | 20 | — | |
| Data hold time | | T_{SDH} | | 10 | — | |
| CS-SCL time | CS | T_{css} | | 20 | — | |
| CS-SCL time | | T_{csh} | | 40 | — | |

Example Initialization Program

```
'-----  
Sub Init  
Reset P3.7          'set Read/write to '0' for write  
Reset P3.0          'RS  
Set P3.1            'reset  
Reset P3.4 'E  
'Set P3.3  
'Reset P3.3  
Waitms 2  
'Set P3.3  
Waitms 20  
A = &HA2            '1/9 BIAS  
Call Writecom  
A = &HA0            'ADC SELECT , NORMAL  
Call Writecom  
A = &HC8            'COM OUTPUT REVERSE  
Call Writecom  
A = &HA4            'DISPLAY ALL POINTS NORMAL  
Call Writecom  
A = &H40            'DISPLAY START LINE SET  
Call Writecom  
A = &H25            'INTERNAL RESISTOR RATIO  
Call Writecom  
A = &H81            'ELECTRONIC VOLUME MODE SET  
Call Writecom  
A = &H10            'ELECTRONIC VOLUME  
Call Writecom  
A = &H2F            'POWER CONTROLLER SET  
Call Writecom  
A = &HAF            'DISPLAY ON  
Call Writecom  
End Sub
```

```
'-----  
Sub Writecom  
Reset P3.0          'A0 low  
Reset P3.7          'R/W low  
Set P3.6            'CS2  
Set P3.4            'E  
P1 = A  
Reset P3.4  
Reset P3.6  
Reset P3.7  
End Sub
```

```
Sub Writedata  
Set P3.0            'A0 high  
Reset P3.7          'R/W low  
Set P3.6            'CS2  
Set P3.4            'E  
P1 = A  
Reset P3.4  
Reset P3.6  
Reset P3.7  
End Sub
```

```
'-----
```

Quality Information

| Test Item | Content of Test | Test Condition | Note |
|---------------------------------------|---|---|------|
| High Temperature storage | Endurance test applying the high storage temperature for a long time. | +80°C , 240hrs | 2 |
| Low Temperature storage | Endurance test applying the low storage temperature for a long time. | -30°C , 240hrs | 1,2 |
| High Temperature Operation | Endurance test applying the electric stress (voltage & current) and the high thermal stress for a long time. | +70°C 240hrs | 2 |
| Low Temperature Operation | Endurance test applying the electric stress (voltage & current) and the low thermal stress for a long time. | -20°C , 240hrs | 1,2 |
| High Temperature / Humidity Operation | Endurance test applying the electric stress (voltage & current) and the high thermal with high humidity stress for a long time. | +40°C , 90% RH , 96hrs | 1,2 |
| Thermal Shock resistance | Endurance test applying the electric stress (voltage & current) during a cycle of low and high thermal stress. | -20°C,30min -> 25°C,5min -> 70°C,30min = 1 cycle 10 cycles | |
| Vibration test | Endurance test applying vibration to simulate transportation and use. | 10-55Hz , 15mm amplitude. 60 sec in each of 3 directions X,Y,Z For 15 minutes | 3 |
| Static electricity test | Endurance test applying electric static discharge. | VS=800V, RS=1.5kΩ, CS=100pF One time | |

Note 1: No condensation to be observed.

Note 2: Conducted after 4 hours of storage at 25°C, 0%RH.

Note 3: Test performed on product itself, not inside a container.

Precautions for using LCDs/LCMs

See Precautions at www.newhavendisplay.com/specs/precautions.pdf

Warranty Information and Terms & Conditions

http://www.newhavendisplay.com/index.php?main_page=terms

Mouser Electronics

Authorized Distributor

Click to View Pricing, Inventory, Delivery & Lifecycle Information:

[Newhaven Display:](#)

[NHD-C12864WC-FSW-FBW-3V3-M](#)