

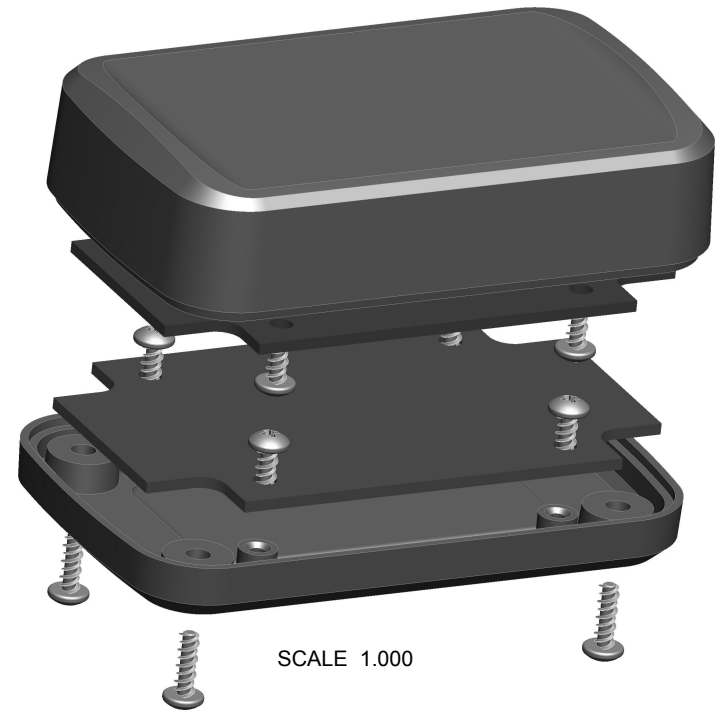
NOTES: UNLESS OTHERWISE SPECIFIED

- CORNERS DRAWN SHARP TO BE R.005 MAXIMUM.
- EXTERIOR SURFACE TEXTURE TO BE LIGHT EDM FINISH. EQUIVALENT TO MT-11010. TEXTURE ON ENCLOSURE WILL VARY FROM TIME TO TIME AS THE TOOL WEARS AND IT BECOMES NECESSARY TO REAPPLY.
- INTERIOR SURFACE TEXTURE TO BE: NONE.
- ALL INSIDE RADII .010R. UNLESS OTHERWISE SPECIFIED.
- ALL EXTERNAL DIMENSIONS AFFECTED BY THE DRAFT APPLY AT THE LARGE END OF THE FEATURE, AND ALL INTERNAL FEATURES AFFECTED BY THE DRAFT APPLY AT THE SMALL END OF THE FEATURE UNLESS OTHERWISE SPECIFIED.
- 1 DEGREE DRAFT IN THE DIRECTION OF PULL IS PERMISSIBLE UNLESS OTHERWISE SPECIFIED.
- MATERIAL / COLOR: ABS PLASTIC IS STANDARD IN BLACK OR WHITE. CUSTOM MATERIALS AND COLORS ARE AVAILABLE UPON REQUEST FOR QUOTE. ALTERNATE RESINS HAVE DIFFERENT SHRINK RATES, AND WILL EFFECT DIMENSIONS.
- PCB SIZES ARE RECOMMENDATIONS ONLY. FINAL SIZES AND VERIFICATION OF ITS FIT ARE THE SOLE RESPONSIBILITY OF EACH CUSTOMER.
- ASSEMBLY SCREWS FOR THE ENCLOSURE INCLUDED. MOUNTING SCREWS FOR THE PCB ARE SOLD SEPARATELY.
- THIS DRAWING IS BASED ON A SOLID MODEL, AND IS FURTHER DEFINED BY THE SOLID MODEL FILE.
- ALLOWABLE FLASH: 0.010 MAX.
- ALL EJECTOR PIN MARKS TO BE WITHIN 0.010" OF FLUSH, PROTRUDING OR BELOW FLUSH.
- TRIM GATE WITHIN 0.030" OF FLUSH.

| R E V I S I O N | | | | | |
|-----------------|----------|--------|----------------------------|-------------|---------|
| REV. | DRAWN BY | ECO No | DESCRIPTION | DATE | APPROVE |
| A | M BOYER | | PRELIMINARY RELEASE | 2017-May-30 | D.C. |
| B | M BOYER | | REVISE SIZE | 2017-May-31 | D.C. |
| C | M BOYER | | REVISE SIZE FOR ETHERNET | 2017-Jun-02 | D.C. |
| D | R CRUZ | | REVISE ENVELOPE DIMENSIONS | 2017-Jun-06 | |



SCALE 1.000



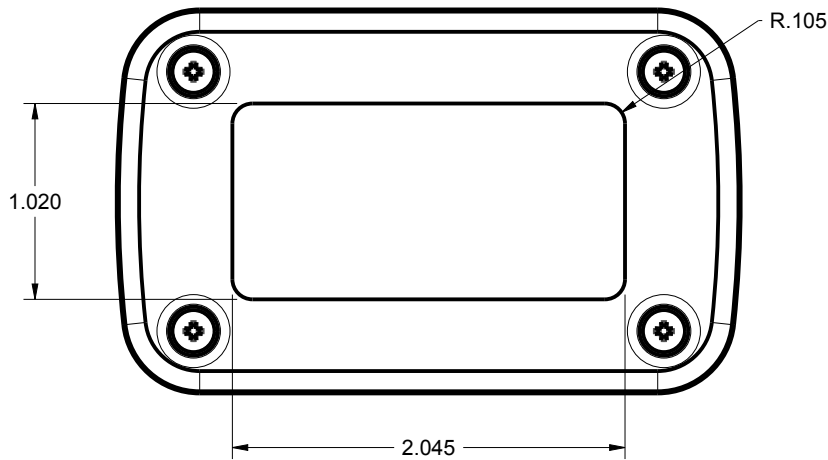
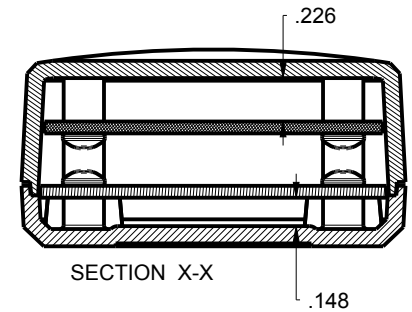
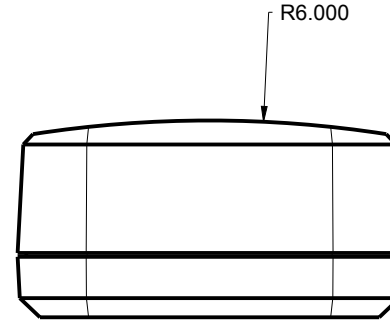
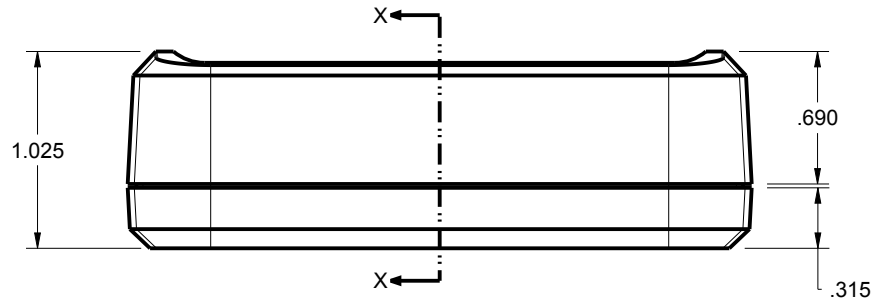
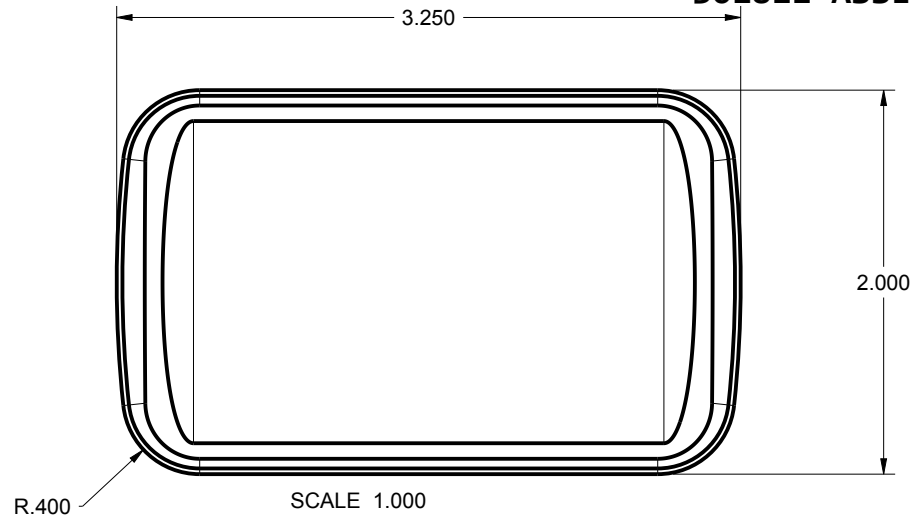
SCALE 1.000

| ITEM | FILE NAME | DESCRIPTION | MATERIAL | COLOR | QTY. |
|------|--------------------|-------------------------|-------------|-------------------|------|
| 6 | SCREW_HILO-N04X375 | #4 HiLo SCREW x .375" | ZINK PLATED | CUSTOMER SUPPLIED | 4 |
| 5 | SCREW_HILO-N04X250 | #4 HiLo SCREW x .250" | ZINK PLATED | CUSTOMER SUPPLIED | 8 |
| 4 | 332010_PCB-TOP | 301811 PCB - REFERENCE | .062" THICK | CUSTOMER SUPPLIED | 1 |
| 3 | 332010_PCB-BOT | 201811 PCB - REFERENCE | .062" THICK | CUSTOMER SUPPLIED | 1 |
| 2 | 332010_COVER | 301811 COVER - STANDARD | ABS | BLACK or WHITE | 1 |
| 1 | 332010_BASE | 301811 BASE - STANDARD | ABS | BLACK or WHITE | 1 |

BILL OF MATERIALS

| | | | | | |
|--|---|------|--|--------|---------|
| THIRD ANGLE PROJECTION DO NOT SCALE DRAWING | TOLERANCES: UNLESS OTHERWISE SPECIFIED DIMENSIONS ARE IN U.S. INCHES. X.XX = .015 X.XXXX = .001 X.XXX = .010 X.X° = 1° | | NEW AGE ENCLOSURES 2240 South Thornburg Street Santa Maria, CA. 93455 ph. (805) 595-1310 fax (805) 595-1024 www.newageenclosures.com | | |
| | Customer's Part No: 332010 | | | | |
| APPROVAL | BY | DATE | NETWORK PORT - STANDARD SXX-332010-XXX | | |
| CHECK | | | | | |
| ENG. | | | | | |
| SCALE | AS NOTED | | | | |
| DRAWN BY | 2017-May-30 | SIZE | DRAWING NAME | SHEET | REV.DOC |
| M BOYER | | A | 332010_RD | 1 OF 2 | D |

301811 ASSEMBLY



TOLERANCES: UNLESS OTHERWISE SPECIFIED
DIMENSIONS ARE IN U.S. INCHES.
X.XX = .015 X.XXXX = .001
X.XXX = .010 X.X° = 1°

NEW AGE ENCLOSURES

Customer's Part No: 301811

APPROVAL BY DATE

CHECK

ENG.

SCALE AS NOTED

DRAWN BY M BOYER 2017-May-30

NEW AGE ENCLOSURES

2240 South Thornburg Street Santa Maria, CA. 93455
ph. (805) 595-1310 fax (805) 595-1024
www.newageenclosures.com

NETWORK PORT - STANDARD
SXX-332010-XXX

| | | | |
|--------|------------------------|--------------|-----------|
| SIZE A | DRAWING NAME 332010_RD | SHEET 2 OF 2 | REV.DOC D |
|--------|------------------------|--------------|-----------|

Mouser Electronics

Authorized Distributor

Click to View Pricing, Inventory, Delivery & Lifecycle Information:

[New Age Enclosures:](#)

[S3A-332010](#) [S1A-332010](#)