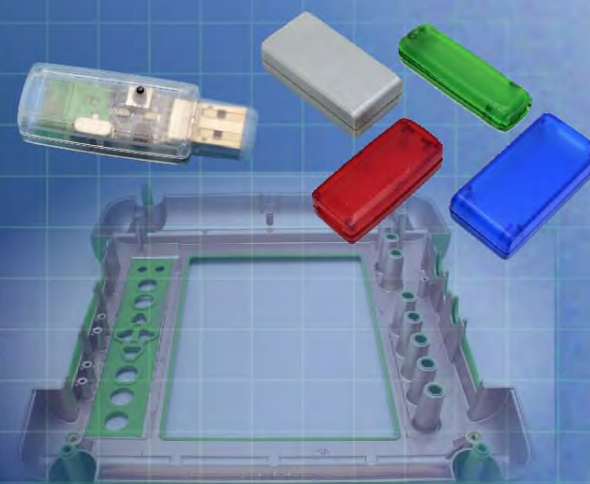




Ordering a market-ready enclosure® is made fast and affordable with our complete in-house capabilities. New Age provides machined openings to fit your PCB, pad printing for your graphics, custom enclosures, custom colors, final assembly, testing and fulfillment services to save you additional time and money. Ask your representative for a free quote today 805-595-1310.

## ***Fast and Affordable Customization***

**CNC Modifications  
Pad Printing  
Colored Resins  
EMI/RF Shielding  
Custom Enclosure  
Assembly & Testing**



ISO quality  
off-the-shelf  
to market-ready®

# **NEW AGE ENCLOSURES**

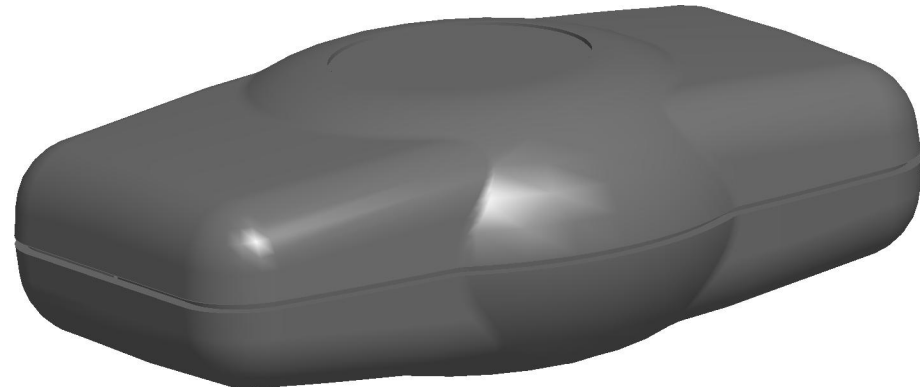
[www.NewAgeEnclosures.com](http://www.NewAgeEnclosures.com)

4330 Santa Fe Road • San Luis Obispo, CA 93401 • T 805.595.1310 • F 805.595.1024

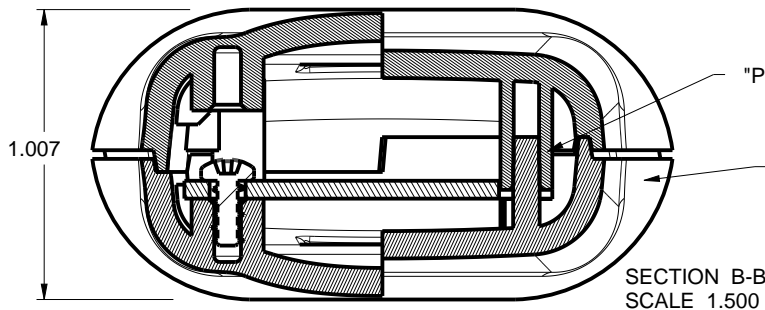
NOTES: UNLESS OTHERWISE SPECIFIED

1. DIMENSIONS TO BE SYMMETRICAL ABOUT CENTERLINES WITHIN .003 TIR
2. CORNERS DRAWN SHARP TO BE R.005 MAXIMUM.
3. EXTERIOR SURFACE TEXTURE TO BE FINE MATTE FINISH.
4. INTERIOR SURFACE TEXTURE TO BE: NONE.
5. ALL EXTERNAL DIMENSIONS AFFECTED BY THE DRAFT APPLY AT THE LARGE END OF THE FEATURE, AND ALL INTERNAL FEATURES AFFECTED BY THE DRAFT APPLY AT THE SMALL END OF THE FEATURE UNLESS OTHERWISE SPECIFIED.
6. MATERIAL / COLOR: ABS PLASTIC IS STANDARD IN BLACK OR WHITE. CUSTOM MATERIALS AND COLORS ARE AVAILABLE UPON REQUEST FOR QUOTE.
7. STANDARD OR CUSTOM LABEL RECESSES ARE AVAILABLE UPON REQUEST FOR QUOTE.
8. PCB SIZES ARE RECOMMENDATIONS ONLY. FINAL SIZES AND VERIFICATION OF IT'S FIT ARE THE SOLE RESPONSIBILITY OF EACH OWNER.
9. THIS ENCLOSURE IS A PRESS FIT ASSEMBLY. FOR PERMANENT CLOSURE: A DROP OF ADHESIVE OR ULTRASONIC WELDING IS REQUIRED.

R E V I S I O N					
REV.	DRAWN BY	ECO No	DESCRIPTION	DATE	APPROVED
1	M BOYER		PRELIMINARY RELEASE	28-Oct-04	D.C.
2	M BOYER		ADJUST TO AS-BUILT & ADD PCB INFO	17-Dec-04	D.C.
3	M BOYER	0208	UPDATE FORMAT AND RELEASE	14-May-08	D.C.
3.1	M BOYER	0710	UPDATE FORMAT	20-Mar-10	D.C.
4.0	M BOYER	1710	ADD RIBS - MODIFY PCB SIZE	02-Jul-10	D.C.
5.0	M BOYER	4610	ADD RIBS, MODIFY ASSY POSTS	10-Nov-10	D.C.
6.0	M BOYER	5110	MODIFY ASSEMBLY POSTS	02-Dec-10	D.C.
7.0	M BOYER	5210	ADD STEP TO ASSEMBLY POSTS	07-Dec-10	D.C.
7.1	M BOYER	0511	UPDATE LABEL RECESS TO AS-BUILT	12-Feb-11	D.C.
7.2	M BOYER	2711	CHANGE ASSEMBLY DIMENSIONS TO "PRESS FIT"	21-Oct-11	



SCALE 1.500



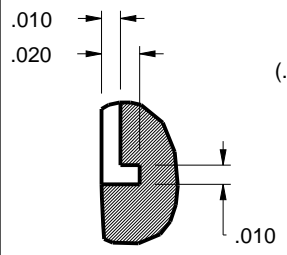
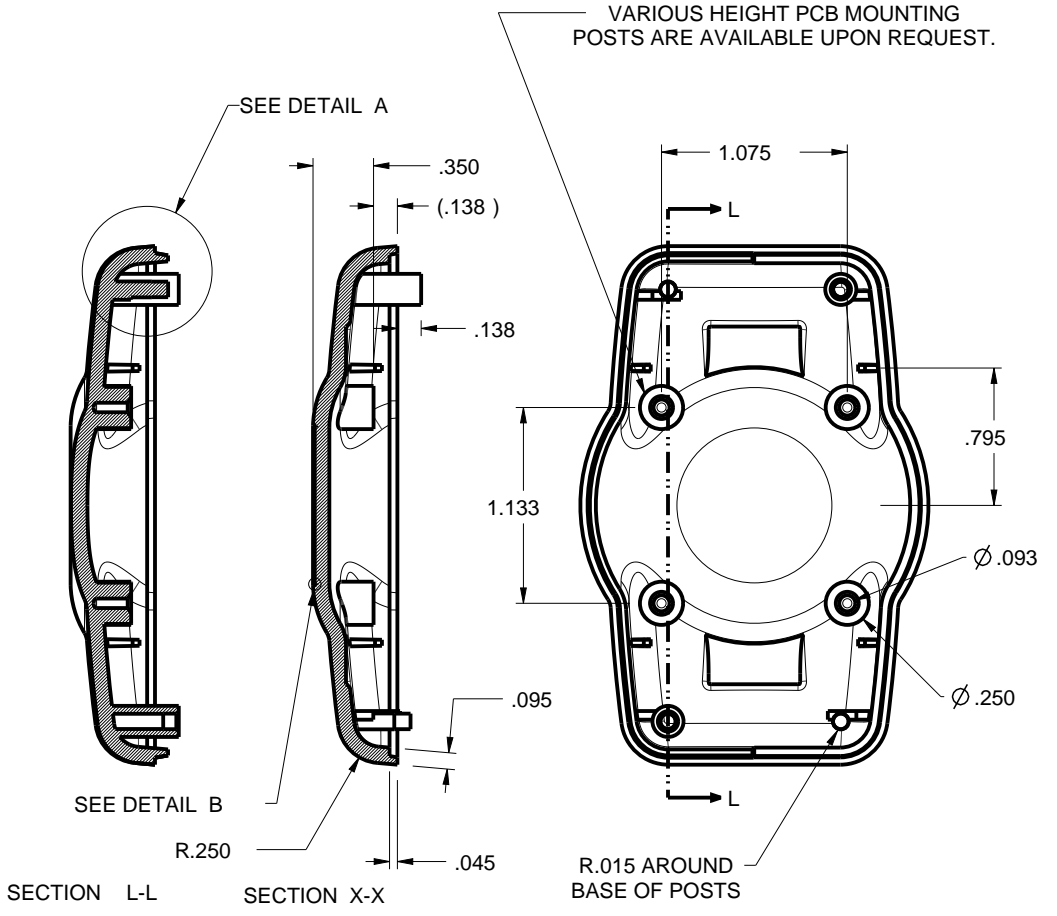
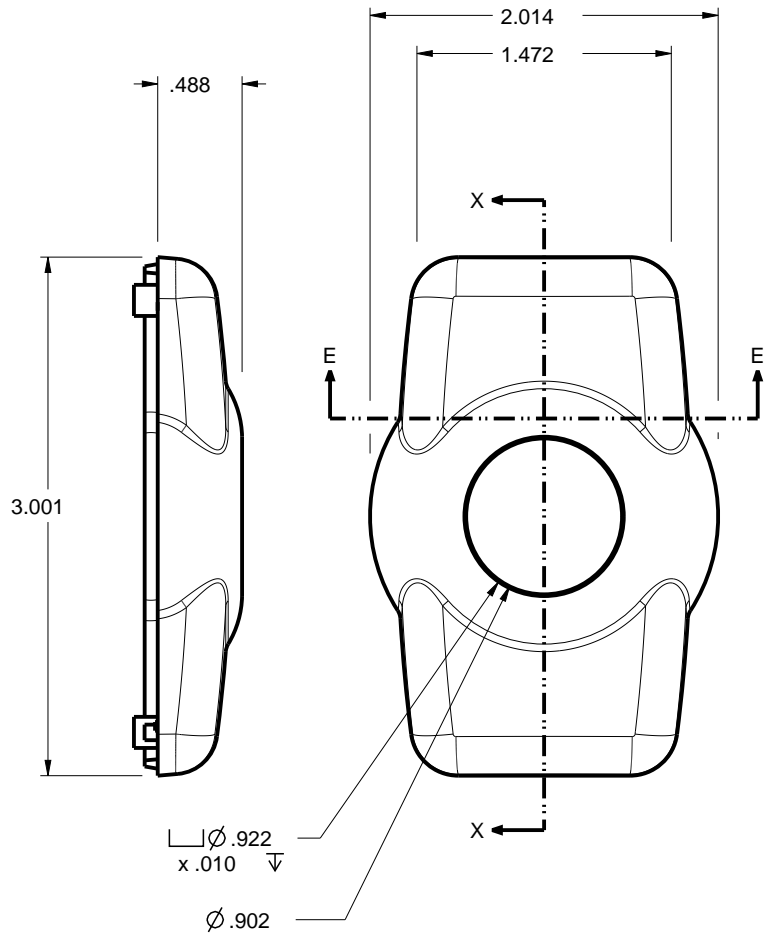
"PRESS FIT"

ENCLOSURE HALVES ARE SELF-MATING WITH IDENTICAL COVER AND BASE.

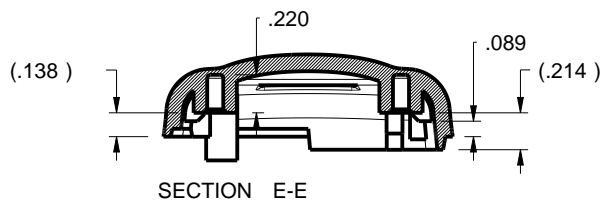
THIRD ANGLE PROJECTION  DO NOT SCALE DRAWING	TOLERANCES: UNLESS OTHERWISE SPECIFIED DIMENSIONS ARE IN U.S. INCHES. X.XX = .015 X.XXXX = .001 X.XXX = .010 X.X° = 1°		<b>NEW AGE ENCLOSURES</b> 4330 Santa Fe Road San Luis Obispo, CA. 93401 ph. (805) 595-1310 fax (805) 595-1024 <a href="http://www.newageenclosures.com">www.newageenclosures.com</a>			
	NEW AGE ENCLOSURES Customer's Part No: 301910					
APPROVAL	BY	DATE	<b>STANDARD - ELEC. HOUSING PXX-301910 ASSEMBLY</b>			
CHECK						
ENG.						
SCALE	AS NOTED					
DRAWN BY	28-Oct-04		SIZE	DRAWING NAME	SHEET	REV.DOC
M BOYER			A	301910_R7_2	1 OF 4	7.2

NOTICE: THE INFORMATION AND DATA CONTAINED HEREIN IS CONSIDERED PROPRIETARY TO ALLTEC INTEGRATED MFG INC & SHALL REMAIN THE EXCLUSIVE PROPERTY OF ALLTEC INTEGRATED MFG INC. THE HOLDER WILL ASSUME CUSTODY AND CONTROL THAT THIS DOCUMENT WILL NOT BE COPIED, REPRODUCED, OR DISCLOSED WITHOUT THE EXPRESS WRITTEN CONSENT OF ALLTEC INTEGRATED MFG INC. POSSESSION OF THIS DOCUMENT DOES NOT CONSTITUTE A GRANT TO MANUFACTURE ANY ITEMS.  
©2010

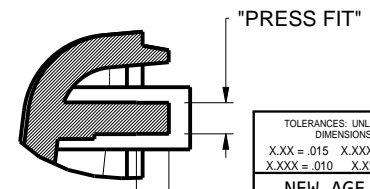
ITEM	DESCRIPTION	MATERIAL	COLOR	QTY.
3	#4 HiLo x .250" SCREW	ZINK PLATED	SOLD SEPERATELY	4
2	301910 PCB - REFERENCE	.062" THICK	CUSTOMER SUPPLIED	1
1	301910 CASE HALF - STANDARD	ABS	BLACK or WHITE	2
<b>BILL OF MATERIALS</b>				



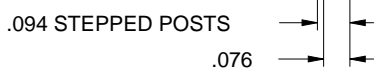
DETAIL B  
LABEL RECESS  
SCALE 10.000



SECTION E-E



DETAIL A  
MALE ASSEMBLY POST  
SCALE 1.800



CASE HALF  
SCALE 0.900

TOLERANCES: UNLESS OTHERWISE SPECIFIED  
DIMENSIONS ARE IN U.S. INCHES:

X.XX = .015 X.XXXX = .001  
X.XXX = .010 X.X° = 1°

NEW AGE ENCLOSURES  
Customer's Part No: 301910

APPROVAL	BY	DATE
CHECK		
ENG.		
SCALE	AS NOTED	

DRAWN BY: M BOYER  
DATE: 28-Oct-04

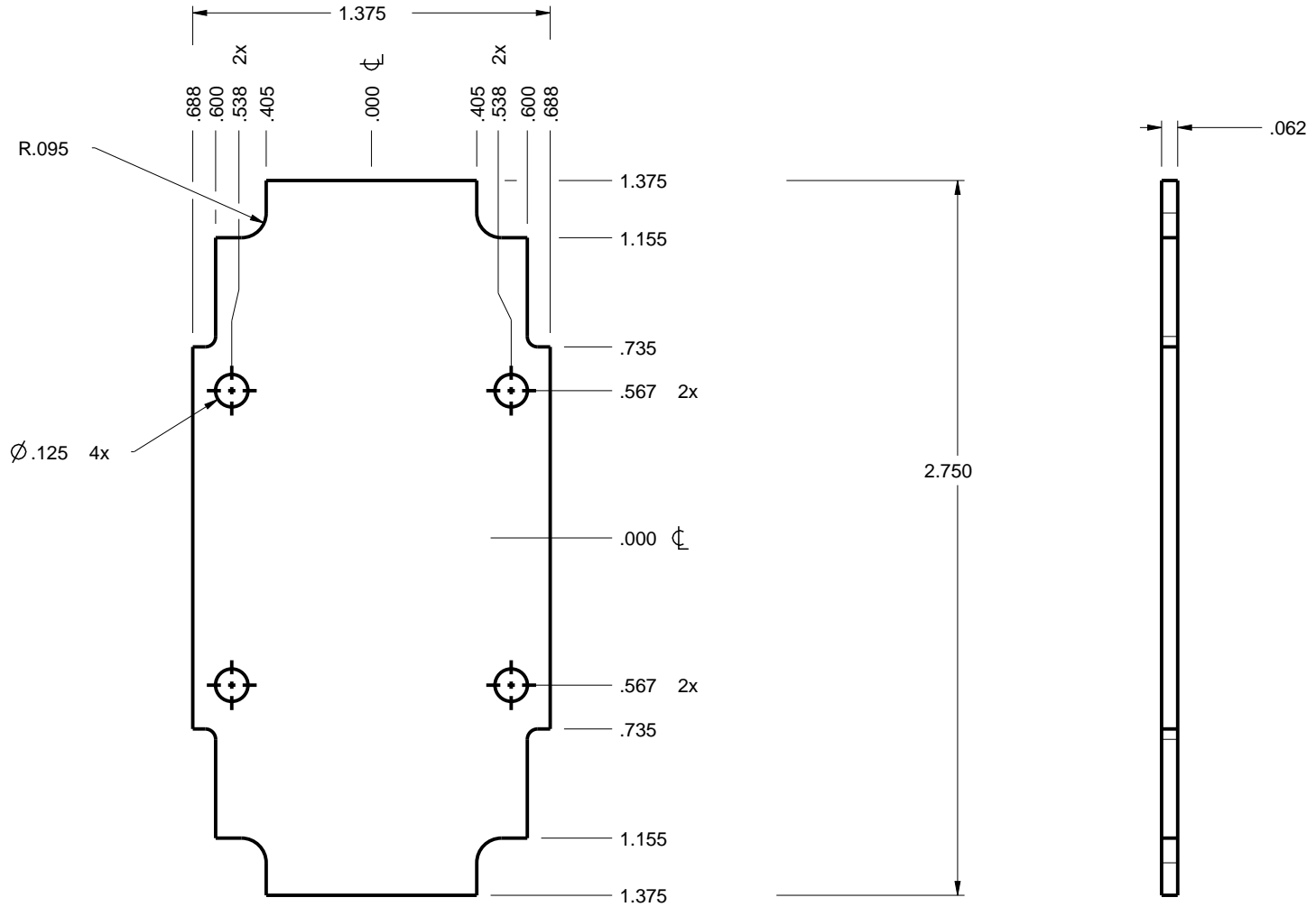
**NEW AGE ENCLOSURES**  
4330 Santa Fe Road San Luis Obispo, CA. 93401  
ph. (805) 595-1310 fax (805) 595-1024  
[www.newageenclosures.com](http://www.newageenclosures.com)

STANDARD - ELEC. HOUSING  
PXX-301910 ASSEMBLY

SIZE	DRAWING NAME	SHEET	REV.DOC
A	301910_R7_2	2 OF 4	7.2

# P301910 PCB - CUSTOMER SUPPLIED

PCB SIZES ARE RECOMMENDATIONS ONLY. FINAL SIZES AND VERIFICATION OF IT'S FIT ARE THE SOLE RESPONSIBILITY OF THE OEM.

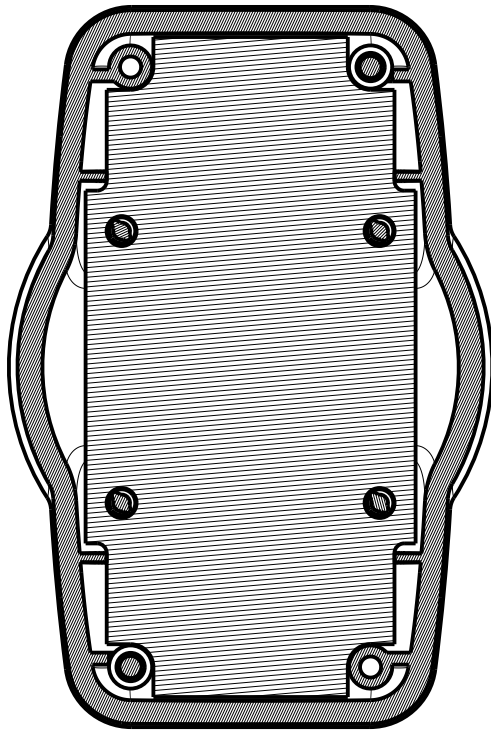


SCALE 1.500

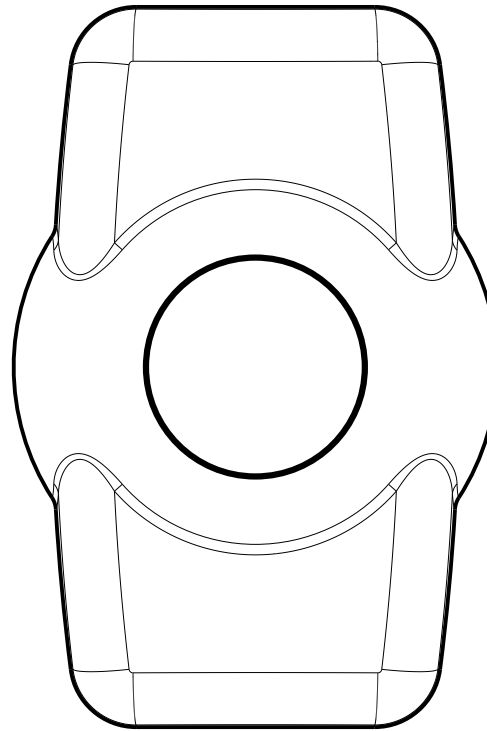
TOLERANCES: UNLESS OTHERWISE SPECIFIED DIMENSIONS ARE IN U.S. INCHES: X.XX = .015 X.XXXX = .001 X.XXX = .010 XX° = 1°		<b>NEW AGE ENCLOSURES</b> 4330 Santa Fe Road San Luis Obispo, CA. 93401 ph. (805) 595-1310 fax (805) 595-1024 <a href="http://www.newageenclosures.com">www.newageenclosures.com</a>	
Customer's Part No: 301910			
APPROVAL	BY	DATE	<b>STANDARD - ELEC. HOUSING          PXX-301910 ASSEMBLY</b>
CHECK			
ENG.			
SCALE	AS NOTED		
DRAWN BY	M BOYER	28-Oct-04	SIZE A DRAWING NAME 301910_R7_2 SHEET 3 OF 4 REV.DOC 7.2

## 2nd OPERATION DETAILS

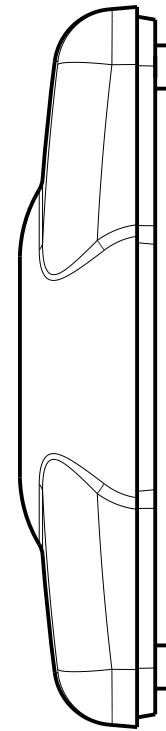
NEW AGE ENCLOSURES DELIVERS YOUR ENCLOSURE MARKET-READY WITH IN-HOUSE  
CNC MACHINING, PAD PRINTING, ASSEMBLY, AND FULFILLMENT.  
ALL SURFACES AND AREAS ARE AVAILABLE FOR CNC ALTERATION BY NEW AGE ENCLOSURES  
CALL (805) 595-1310 FOR PRICING AND SCHEDULE.  
THE INSIDE RADIUS OF ANY MACHINED FEATURES SHOULD BE NO SMALLER THAN .031"



SECTION PCB-PCB  
SCALE 1.250



SCALE 1.250



### PXX-301910-XXX COVER - ABS, BLACK

STEP NO	DESCRIPTION	CUTTER	FIXTURE	ORIENTATION	PROGRAM
1	-	T2 = .062" EM	-	-	-
2	-	T2 = .062" EM	-	-	-
3	-	T2 = .062" EM	-	-	-

TOLERANCES: UNLESS OTHERWISE SPECIFIED DIMENSIONS ARE IN U.S. INCHES: X.XX = .015 X.XXXX = .001 X.XXX = .010 X.X° = 1°		<b>NEW AGE ENCLOSURES</b>	
Customer's Part No: 301910		4330 Santa Fe Road San Luis Obispo, CA. 93401 ph. (805) 595-1310 fax (805) 595-1024 <a href="http://www.newageenclosures.com">www.newageenclosures.com</a>	
APPROVAL BY DATE		<b>STANDARD - ELEC. HOUSING PXX-301910 ASSEMBLY</b>	
CHECK			
ENG.			
SCALE AS NOTED		SIZE A	REV.DOC 7.2
DRAWN BY M BOYER		DRAWING NAME 301910_R7_2	SHEET 4 OF 4
28-Oct-04			

# Mouser Electronics

Authorized Distributor

Click to View Pricing, Inventory, Delivery & Lifecycle Information:

[New Age Enclosures:](#)

[P1A-301910](#)