

SPECIFICATIONS

Material: HEXSEALS: Silicone rubber conforms to A-A-59588 Class III, GR 60 unless otherwise specified.

Mounting Nut: HEXSEALS: Brass, nickel-plated (unless otherwise noted)

Temperature Range: HEXSEALS: -94°F to +400°F

Pressure Range: Exceeds 15 psi internal and 1500 psi external.

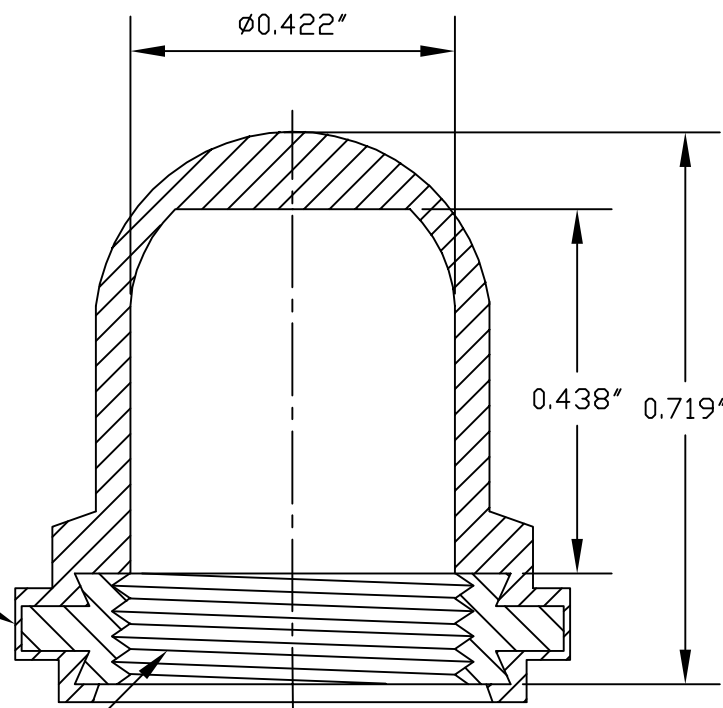
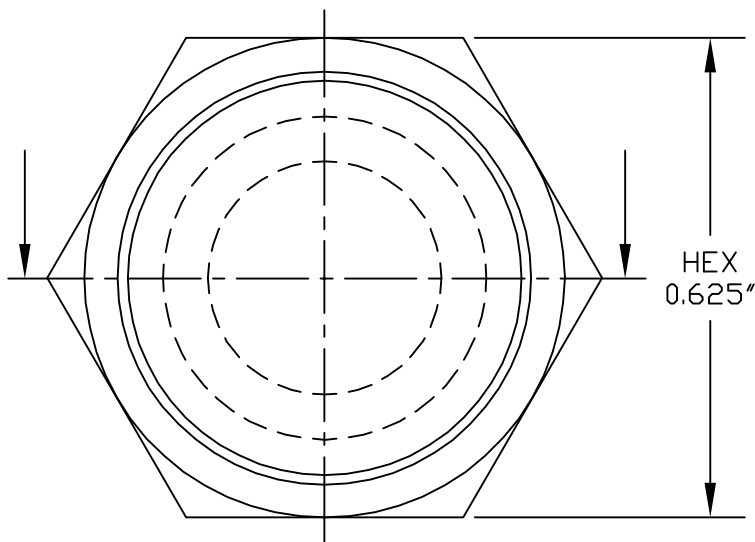
Operational Life: 50,000 actuations (minimum).

Shelf Life: Excess of 25 years.

Resistant to: Salt spray, sunlight, ozone, weather, fungus, and most acids and lubricating oils

Agency Recognition: E-SEELS and HEXSEALS are UL-listed to UL Std. 50 types 1-13, and meet CSA standards.

Installation: If a reducing adaptor is required - see page 14 of HEXSEAL catalog HEX200 for part numbers and drawing.



PERMISSIBLE RUBBER

OVERLAY 0.005MAX.

THR. 15/32-32

REV.	DESCRIPTION	DATE
J	MAT'L CHANGED	07-13-09
I	CAD COMPUTER GENERATED	9-23-02
H	UPDATED, ADDED ORDER NUMBERS, DWG NO. WAS 12/31/SERIES	11-24-76
		W.P.
		S.GOK
TITLE: BOOT, PUSH BUTTON SWITCH (NC3030)		ENG. M.MORSE
		DWN. S.ANDREWS
		CHKD. B.GLICKSMAN
SCALE 4:1		DWG. NO. NC3030
FINISH: GRAY		HEXSEAL®
MAT'L: SILICONE RUBBER A-A-59588 Class III, Gr.60		
APM-HEXSEAL CORPORATION		

THIS DRAWING COVERS PROPRIETARY ITEM AND IS THE PROPERTY OF THE APM-HEXSEAL CORPORATION. THIS DRAWING IS NOT TO BE COPIED OR USED WITHOUT THE WRITTEN APPROVAL OF AN OFFICER OF THE APM-HEXSEAL CORPORATION.

Mouser Electronics

Authorized Distributor

Click to View Pricing, Inventory, Delivery & Lifecycle Information:

[APM HEXSEAL:](#)

[NC3030](#)