

SPECIFICATIONS

Material: HEXSEALS: Silicone rubber conforms to A-A-59588 Class III, GR 60 unless otherwise specified.

Mounting Nut: HEXSEALS: Brass, nickel-plated (unless otherwise noted)

Temperature Range: HEXSEALS: -94°F to +400°F

Pressure Range: Exceeds 15 psi internal and 1500 psi external.

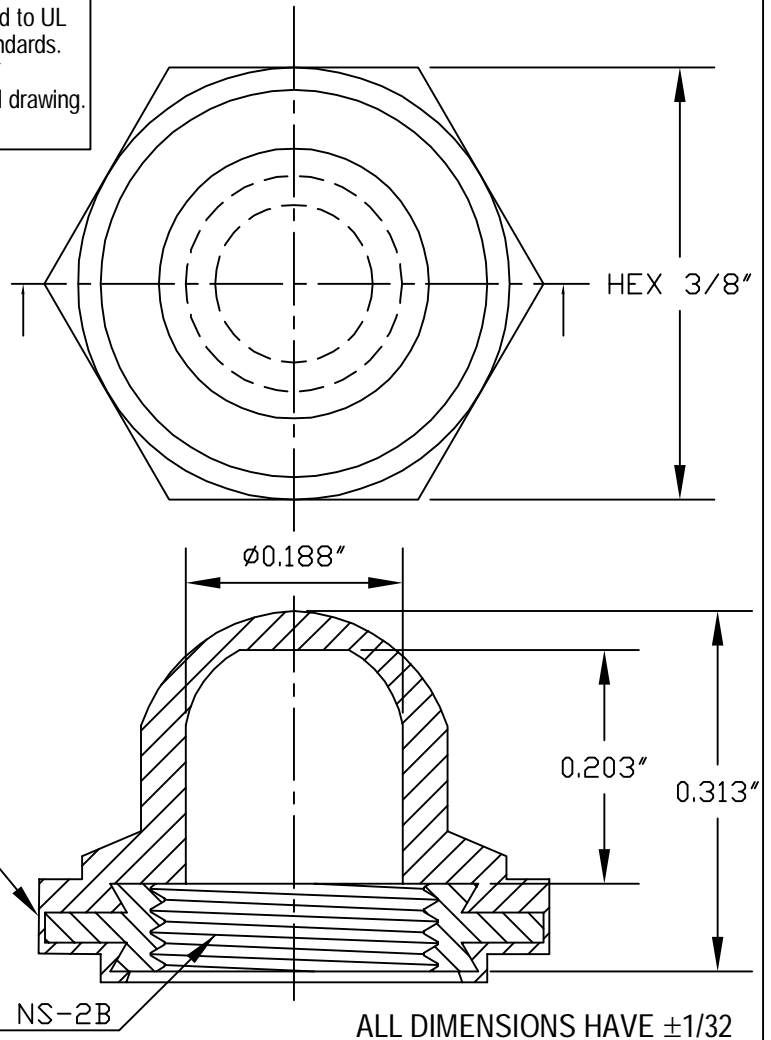
Operational Life: 50,000 actuations (minimum).

Shelf Life: Excess of 25 years.

Resistant to: Salt spray, sunlight, ozone, weather, fungus, and most acids and lubricating oils

Agency Recognition: E-SEELS and HEXSEALS are UL-listed to UL Std. 50 types 1-13, and meet CSA standards.

Installation: If a reducing adaptor is required - see page 14 of HEXSEAL catalog HEX200 for part numbers and drawing.



J	REDRAWN FOR ACCURACY AND MAT'L CHANGED			06.29.09	
I	CAD COMPUTER GENERATED			09.23.02	
H	UPDATED, ADDED ORDER NUMBERS, DWG NO. WAS 12/31/SERIES		W.P.	11.24.76	
G	UPDATED		R.C.	08.04.74	
REV.	DESCRIPTION			DATE	
MAXIMUM AND MINIMUM MEASUREMENTS ARE STATED DIRECTLY ON EACH DIMENSION.	TITLE:	BOOT, PUSH BUTTON SWITCH (N5040R)	ENG.	M.MORSE	01.21.60
			DWN.	S.ANDREWS	01.21.60
			CHKD.	B.GLICKSMAN	01.21.60
MAT'L: Silicone Rubber conforms to A-A-59588, Gr. 60	APM-HEXSEAL CORPORATION	SCALE 6:1	DWG. NO.	(N5040R) HEXSEAL®	
FINISH: GRAY					

THIS DRAWING COVERS PROPRIETARY ITEM AND IS THE PROPERTY OF THE APM-HEXSEAL CORPORATION.
THIS DRAWING IS NOT TO BE COPIED OR USED WITHOUT THE WRITTEN APPROVAL OF AN OFFICER OF THE APM-HEXSEAL CORPORATION.

Mouser Electronics

Authorized Distributor

Click to View Pricing, Inventory, Delivery & Lifecycle Information:

[APM HEXSEAL:](#)

[N5040R](#)