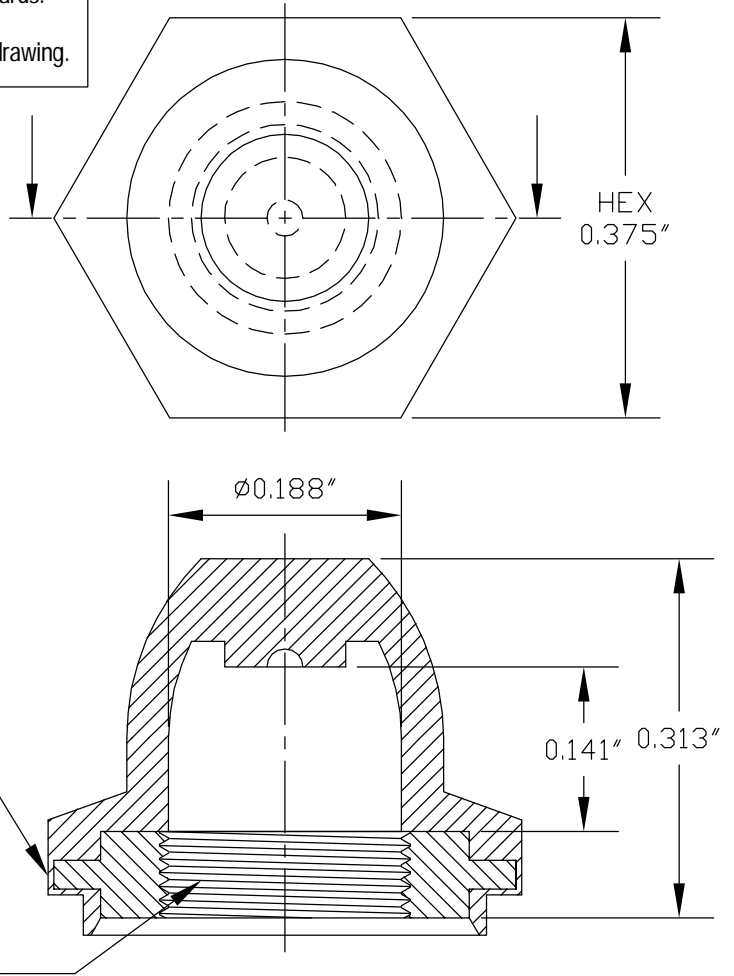


SPECIFICATIONS

Material: HEXSEALS: Silicone rubber conforms to A-A-59588 Class III, GR 60 (unless otherwise specified)
Mounting Nut: HEXSEALS: Brass, nickel-plated
Temperature Range: HEXSEALS: -94°F to +400°F
Pressure Range: Exceeds 15 psi internal and 1500 psi external. (N5032B: 10 psi)
Operational Life: 50,000 actuations (minimum).
Shelf Life: Excess of 25 years.
Resistant to: Salt spray, sunlight, ozone, weather, fungus, and most acids and lubricating oils
Agency Recognition: E-SEELS and HEXSEALS are UL-listed to UL Std. 50 types 1-13, and meet CSA standards.
Installation: If a reducing adaptor is required - see page 14 of HEXSEAL catalog HEX200 for part numbers and drawing.



J	MAT'L CHANGED and REDRAWN FOR ACCURACY		S. GOK	06.26.09
I	CAD COMPUTER GENERATED			09.23.02
H	UPDATED, ADDED ORDER NUMBERS, DWG. NO. WAS 1231/SERIES		W. P.	11.24.76
G	UPDATED		R. C.	08.04.74
F	REDRAWN		TONY C.	12.11.69
REV.	DESCRIPTION			DATE
MAXIMUM AND MINIMUM MEASUREMENTS ARE STATED DIRECTLY ON EACH DIMENSION.		TITLE: BOOT, PUSH BUTTON SWITCH (N-5040)	ENG. M. MORSE	01.21.60
MAT'L: SILICONE RUBBER PER A-A-59588 CL III GR60			DWN. S. ANDREWS	01.21.60
FINISH: GRAY			CHKD. B. GLICKSMAN	01.21.60
APM-HEXSEAL CORPORATION		SCALE 6:1	DWG. NO. (N-5040) HEXSEAL®	

THIS DRAWING COVERS PROPRIETARY ITEM AND IS THE PROPERTY OF THE APM-HEXSEAL CORPORATION. THIS DRAWING IS NOT TO BE COPIED OR USED WITHOUT THE WRITTEN APPROVAL OF AN OFFICER OF THE APM-HEXSEAL CORPORATION.

Mouser Electronics

Authorized Distributor

Click to View Pricing, Inventory, Delivery & Lifecycle Information:

[APM HEXSEAL:](#)

[N5040](#) [N5040G](#)