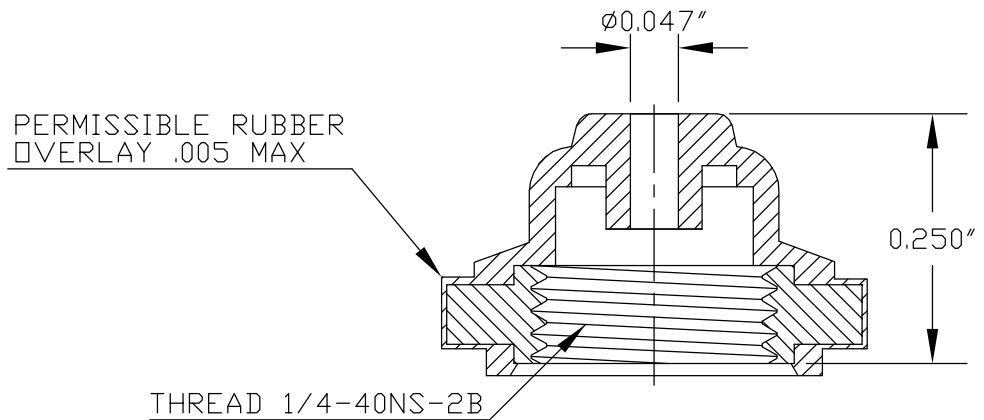
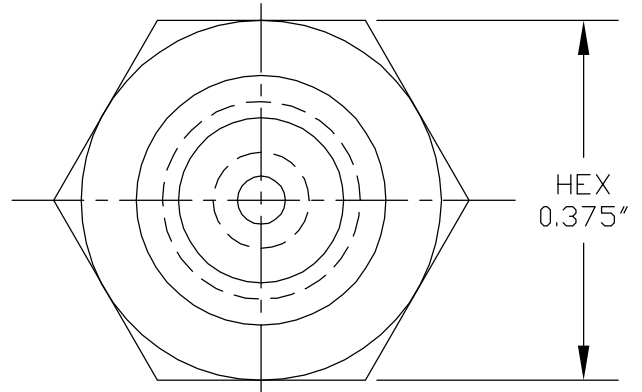


**SPECIFICATIONS**

**Material:** HEXSEALS: Silicone rubber conforms to A-A-59588 Class III, GR 50 (unless otherwise specified)  
**Mounting Nut:** HEXSEALS: Brass, nickel-plated  
**Temperature Range:** HEXSEALS: -94°F to +400°F  
**Pressure Range:** Exceeds 15 psi internal and 1500 psi external. (N5032B: 10 psi)  
**Operational Life:** 50,000 actuations (minimum).  
**Shelf Life:** Excess of 25 years.  
**Resistant to:** Salt spray, sunlight, ozone, weather, fungus, and most acids and lubricating oils  
**Agency Recognition:** E-SEALS and HEXSEALS are UL-listed to UL Std. 50 types 1-13, and meet CSA standards.  
**Installation:** If a reducing adaptor is required - see page 14 of HEXSEAL catalog HEX200 for part numbers and drawing.



F	MAT'L CHANGED			S. GOK	06.19.09	
E	CAD COMPUTER GENERATED				09.23.02	
D	REDRAWN				10.11.74	
REV.	DESCRIPTION				DATE	
MAXIMUM AND MINIMUM MEASUREMENTS ARE STATED DIRECTLY ON EACH DIMENSION.		TITLE:	BOOT, TOGGLE SWITCH, EXPOSED BAT (N-5032B)	ENG.	S. GOK	06.19.09
MAT'L: SILICONE RUBBER PER A-A-59588 CL III GR50				DWN.	M. M.	06.09.61
FINISH: GRAY		APM-HEXSEAL CORPORATION	SCALE 5:1	CHKD.	J. CELLA	06.19.09
				DWG. NO.	(N-5032B) HEXSEAL®	

THIS DRAWING COVERS PROPRIETARY ITEM AND IS THE PROPERTY OF THE APM-HEXSEAL CORPORATION. THIS DRAWING IS NOT TO BE COPIED OR USED WITHOUT THE WRITTEN APPROVAL OF AN OFFICER OF THE APM-HEXSEAL CORPORATION.

# Mouser Electronics

Authorized Distributor

Click to View Pricing, Inventory, Delivery & Lifecycle Information:

[APM HEXSEAL:](#)

[N5032B-17](#) [N5032B](#)