

**SPECIFICATIONS**

**Material:** HEXSEALS: Silicone rubber conforms to A-A-59588 Class III, GR 60 unless otherwise specified.

**Mounting Nut:** HEXSEALS: Brass, nickel-plated (unless otherwise noted)

**Temperature Range:** HEXSEALS: -94°F to +400°F

**Pressure Range:** Exceeds 15 psi internal and 1500 psi external.

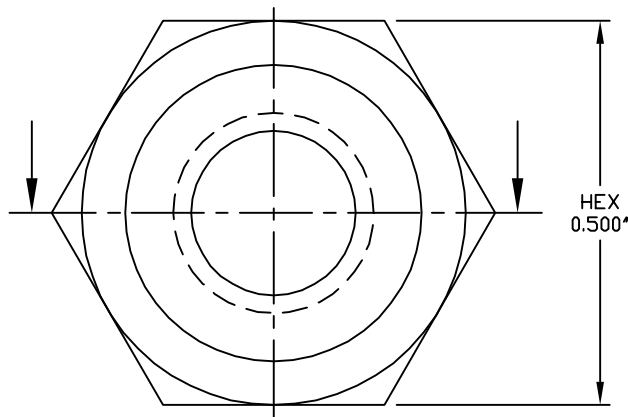
**Operational Life:** 50,000 actuations (minimum).

**Shelf Life:** Excess of 25 years.

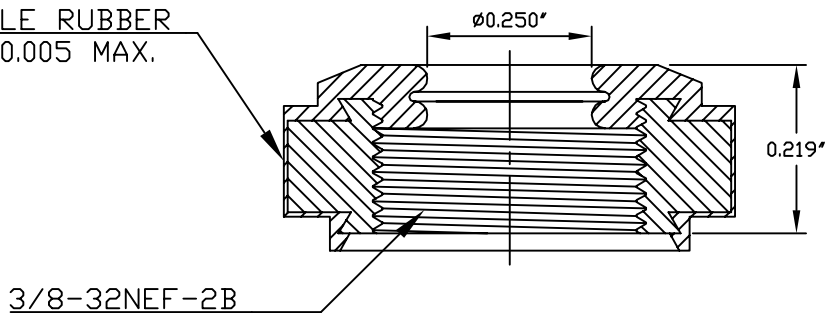
**Resistant to:** Salt spray, sunlight, ozone, weather, fungus, and most acids and lubricating oils

**Agency Recognition:** E-SEEL and HEXSEAL are UL listed to UL Std. 50 types 1-13, and meet CSA standards.

**Installation:** If a reducing adaptor is required- see page 14 of HEXSEAL catalog HEX200 for part numbers and drawing.



PERMISSIBLE RUBBER  
OVERLAY 0.005 MAX.



H	MAT'L CHANGED and REDRAWN	S. GOK	07.10.09
G	CAD COMPUTER GENERATED		09.23.02
F	UPDATED	R. C.	08.07.74
REV.	DESCRIPTION	DATE	
MAXIMUM AND MINIMUM MEASUREMENTS ARE STATED DIRECTLY ON EACH DIMENSION.	TITLE: SEAL, SHAFT, ROTARY (N9030x1/4)	ENG.	
		DWN. S. ANDREWS	12.11.59
MAT'L: Silicone Rubber conforms to A-A-59588, Gr. 60	APM-HEXSEAL CORPORATION	CHKD. J. CELLA	07.10.09
FINISH: GRAY		SCALE 4 : 1	DWG. NO. N9030x1/4 HEXSEAL®

THIS DRAWING COVERS PROPRIETARY ITEM AND IS THE PROPERTY OF THE APM-HEXSEAL CORPORATION.  
THIS DRAWING IS NOT TO BE COPIED OR USED WITHOUT THE WRITTEN APPROVAL OF AN OFFICER OF THE APM-HEXSEAL CORPORATION.

# Mouser Electronics

Authorized Distributor

Click to View Pricing, Inventory, Delivery & Lifecycle Information:

## APM HEXSEAL:

[N9030 X 1/4 RFI](#) [N9030 X 1/4](#) [N9030 X 1/8](#) [N9042 X 1/8](#) [N9040 X 1/8 RFI](#)