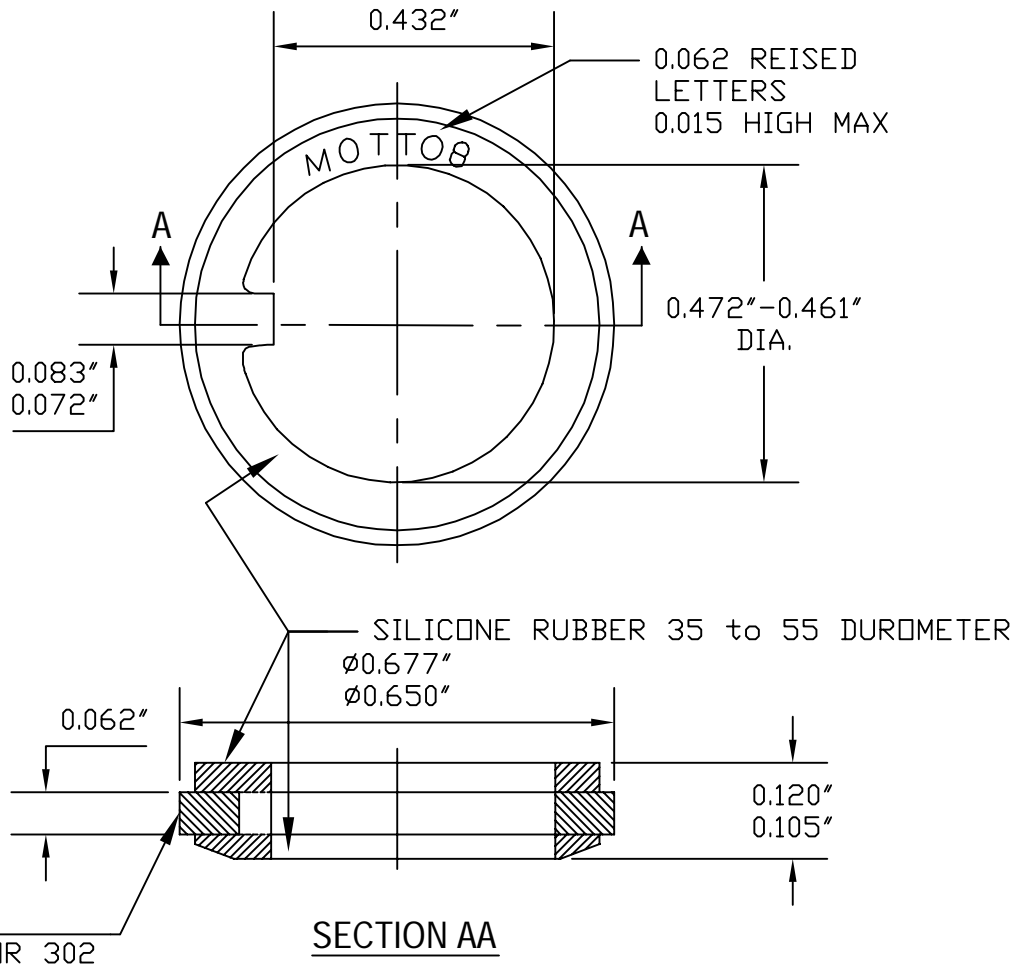


SPECIFICATIONS

Mounting: Either Front or Behind Panel
Temperature Range: -94°F to +400°F
Shelf-Life: in excess of 25 years
Material: Stainless steel with bonded silicone rubber conforms to A-A-59588 Class 3
Resistant To: Salt spray, sunlight, ozone, weather, fungus, and most acids and lubricating oils



REV.	DESCRIPTION	DATE										
B	REDRAWN and MAT'L CHANGED	S. GOK 05.19.09										
A	CAD COMPUTER GENERATED	01.10.03										
<table border="1"> <tr> <td rowspan="2"> MAXIMUM AND MINIMUM MEASUREMENTS ARE STATED DIRECTLY ON EACH DIMENSION. MAT'L: GRAY SILICONE RUBBER FINISH: S.S. WASHER </td> <td rowspan="2"> TITLE: PANEL BUSHING SEAL FOR SEALED SWITCHES/CIRCUIT BREAKERS APM-HEXSEAL CORPORATION </td> <td> ENG. DWN. </td> <td></td> </tr> <tr> <td> CHKD. J.CELLA </td> <td>05.19.09</td> </tr> <tr> <td></td> <td></td> <td> SCALE NONE DWG. NO. 60064 </td> <td></td> </tr> </table>			MAXIMUM AND MINIMUM MEASUREMENTS ARE STATED DIRECTLY ON EACH DIMENSION. MAT'L: GRAY SILICONE RUBBER FINISH: S.S. WASHER	TITLE: PANEL BUSHING SEAL FOR SEALED SWITCHES/CIRCUIT BREAKERS APM-HEXSEAL CORPORATION	ENG. DWN.		CHKD. J.CELLA	05.19.09			SCALE NONE DWG. NO. 60064	
MAXIMUM AND MINIMUM MEASUREMENTS ARE STATED DIRECTLY ON EACH DIMENSION. MAT'L: GRAY SILICONE RUBBER FINISH: S.S. WASHER	TITLE: PANEL BUSHING SEAL FOR SEALED SWITCHES/CIRCUIT BREAKERS APM-HEXSEAL CORPORATION	ENG. DWN.										
		CHKD. J.CELLA	05.19.09									
		SCALE NONE DWG. NO. 60064										

THIS DRAWING COVERS PROPRIETARY ITEM AND IS THE PROPERTY OF THE APM-HEXSEAL CORPORATION.
 THIS DRAWING IS NOT TO BE COPIED OR USED WITHOUT THE WRITTEN APPROVAL OF AN OFFICER OF THE APM-HEXSEAL CORPORATION.

Mouser Electronics

Authorized Distributor

Click to View Pricing, Inventory, Delivery & Lifecycle Information:

[APM HEXSEAL:](#)

[60064](#)