

SPECIFICATIONS

Material: HEXSEALS: Silicone rubber conforms to A-A-59588 Class III, GR 60 unless otherwise specified.

Mounting Nut: HEXSEALS: Brass, nickel-plated (unless otherwise noted)

Temperature Range: HEXSEALS: -94°F to +400°F

Pressure Range: Exceeds 15 psi internal and 1500 psi external.

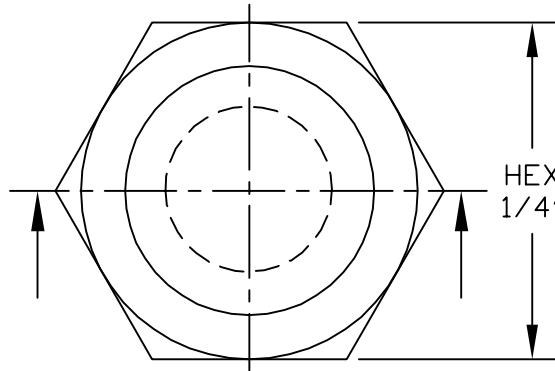
Operational Life: 50,000 actuations (minimum).

Shelf Life: Excess of 25 years.

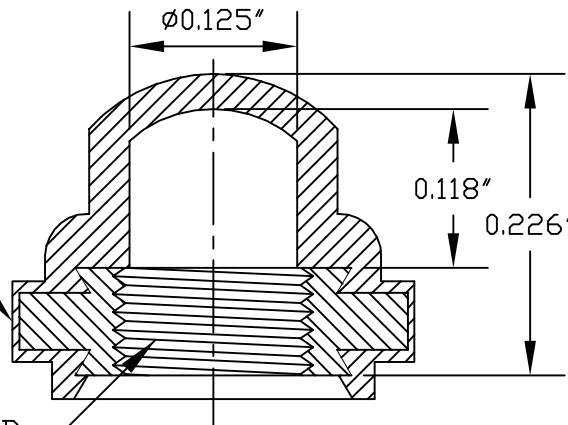
Resistant to: Salt spray, sunlight, ozone, weather, fungus, and most acids and lubricating oils

Agency Recognition: E-SEELS and HEXSEALS are UL-listed to UL Std. 50 types 1-13, and meet CSA standards.

Installation: If a reducing adaptor is required - see page 14 of HEXSEAL catalog HEX200 for part numbers and drawing.



PERMISSIBLE RUBBER
OVERLAY .005 MAX



THREAD 8-40 NS-2B

J	MAT'L CHANGED and REDRAWN		09.09.09
I	CAD COMPUTER GENERATED		09.23.02
H	UPDATED, ADDED ORDER NUMBERS, DWG NO. WAS 12/31/SERIES	W.P.	11.24.76
G	UPDATED	R.C.	08.04.24
F	REDRAWN	TONY C.	12.11.69
REV.	DESCRIPTION		DATE
MAXIMUM AND MINIMUM MEASUREMENTS ARE STATED DIRECTLY ON EACH DIMENSION. MAT'L: SILICONE RUBBER A-A-59588 CLIII GR60 FINISH: GRAY	TITLE: BOOT, PUSH BUTTON (1231/17) APM-HEXSEAL CORPORATION	ENG. M.MORSE	01.21.60
		DWN. S.ANDREWS	01.21.60
		CHKD. B.GLICKSMAN	01.21.60
	SCALE 7:1	DWG. NO. (1231/17) HEXSEAL®	

THIS DRAWING COVERS PROPRIETARY ITEM AND IS THE PROPERTY OF THE APM-HEXSEAL CORPORATION.
 THIS DRAWING IS NOT TO BE COPIED OR USED WITHOUT THE WRITTEN APPROVAL OF AN OFFICER OF THE APM-HEXSEAL CORPORATION.

Mouser Electronics

Authorized Distributor

Click to View Pricing, Inventory, Delivery & Lifecycle Information:

[APM HEXSEAL:](#)

[1231/17 17](#)