

SPECIFICATIONS

Material: HEXSEALS: Silicone rubber conforms to A-A-59588 Class 3, GR 50 unless otherwise specified.

Mounting Nut: HEXSEALS: Brass, nickel-plated (unless otherwise noted)

Temperature Range: HEXSEALS: -94°F to +400°F

Pressure Range: Exceeds 15 psi internal and 1500 psi external.

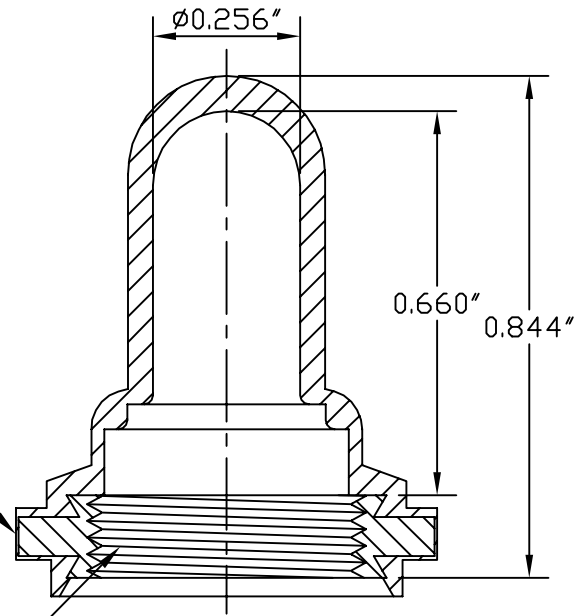
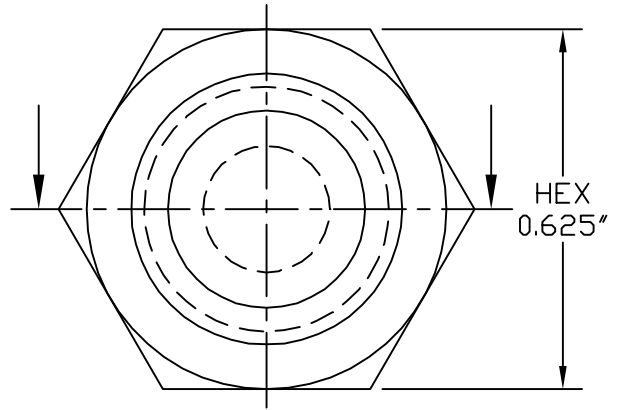
Operational Life: 50,000 actuations (minimum).

Shelf Life: Excess of 25 years.

Resistant to: Salt spray, sunlight, ozone, weather, fungus, and most acids and lubricating oils

Agency Recognition: E-SEELS and HEXSEALS are UL-listed to UL Std. 50 types 1-13, and meet CSA standards.

Installation: If a reducing adaptor is required - see page 14 of HEXSEAL catalog HEX200 for part numbers and drawing.



PERMISSIBLE RUBBER
OVERLAY 0.005 MAX.

15/32-32NS-2B

D	MAT'L CHANGED and REDRAWN	S. GOK	09.01.09
C	CAD COMPUTER GENERATED		09.23.02
B	REDRAWN		09.12.74
REV.	DESCRIPTION		DATE
	MAXIMUM AND MINIMUM MEASUREMENTS ARE STATED DIRECTLY ON EACH DIMENSION.	ENG. M.M.	12.07.57
	TITLE: BOOT, TOGGLE, SWITCH (1131/31)	DWN. J. PALUMBO	12.07.57
	MAT'L: Silicone Rubber	CHKD. J. CELLA	09.01.09
	A-A-59588, Gr.50	SCALE 3:1	DWG. NO. (1131/31) HEXSEAL®
	FINISH: GRAY		

THIS DRAWING COVERS PROPRIETARY ITEM AND IS THE PROPERTY OF THE APM-HEXSEAL CORPORATION.
THIS DRAWING IS NOT TO BE COPIED OR USED WITHOUT THE WRITTEN APPROVAL OF AN OFFICER OF THE APM-HEXSEAL CORPORATION.

Mouser Electronics

Authorized Distributor

Click to View Pricing, Inventory, Delivery & Lifecycle Information:

[APM HEXSEAL:](#)

[1131/31](#)