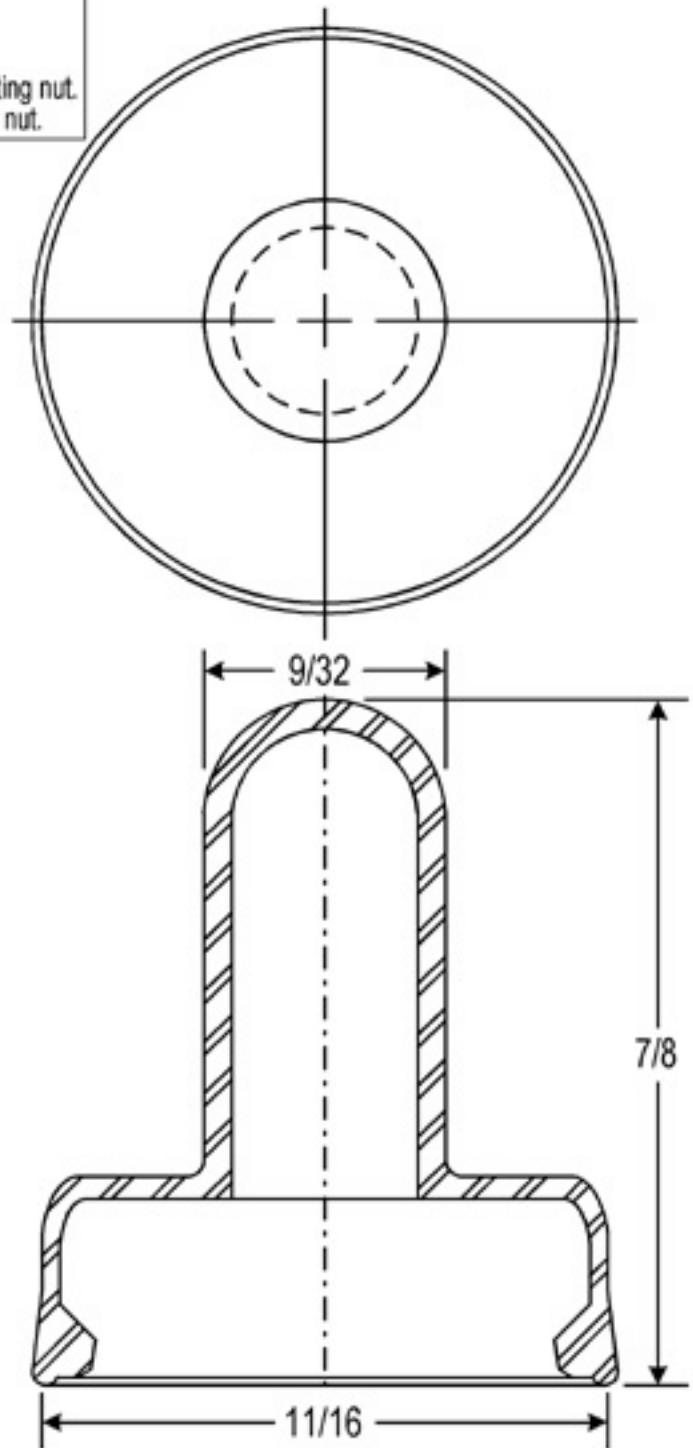


SPECIFICATIONS

Material: Boot: Neoprene.
Color: black (other materials and colors available on special order.)
Temperature Range: -65°F to +300°F
Shelf Life: 2 years.
Installation: A. Mount the switch using SNAPSEEL ® shouldered mounting nut.
 B. Press SNAPSEEL ® over switch actuator and snap over nut.



NOTE: MOUNTING NUT NOT INCLUDED - PURCHASE SEPARATELY IF NEEDED.

C	CAD COMPUTER GENERATED		9/23/02
B	REMOVED TOP OF BOOT, 43/61 WAS 23/32	NK	11-2-72
A	ALTERED SHAPE OF BOOT	T.C.	8-12-69
REV.	DESCRIPTION		DATE

MAXIMUM AND MINIMUM MEASUREMENTS ARE STATED DIRECTLY ON EACH DIMENSION. MAT'L: NEOPRENE FINISH: BLACK	TITLE: BOOT, TOGGLE SNAPSEAL ® (1111/4) APM-HEXSEAL CORPORATION	ENG. DWN. N.K.S. CHKD. SCALE 4:1 DWG. NO. 1111/4	9-29-67
---	---	---	---------

THIS DRAWING COVERS PROPRIETARY ITEM AND IS THE PROPERTY OF THE APM-HEXSEAL CORPORATION. THIS DRAWING IS NOT TO BE COPIED OR USED WITHOUT THE WRITTEN APPROVAL OF AN OFFICER OF THE APM-HEXSEAL CORPORATION.

Mouser Electronics

Authorized Distributor

Click to View Pricing, Inventory, Delivery & Lifecycle Information:

[APM HEXSEAL:](#)

[1111/4](#)