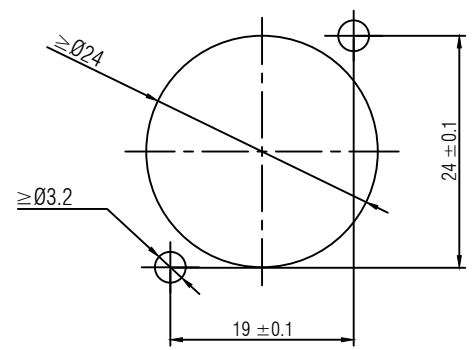


1:1

Panel Cut out dimension



				THIS DOCUMENT IS THE PROPERTY OF NEUTRIK. NO PART THEREOF MAY BE REPRODUCED AND USED WITHOUT THE PRIOR WRITTEN CONSENT OF THE OWNER		Material:	Scale:	Date:	Name:
							2 : 1 (A3)	2024.07.25	Summer
								Checked:	
								Approved:	
								Replaced By:	1
								Replaces:	1
								Title:	RRE8F-Z-112S
								Revised By:	
								Drawing No.:	
Rev.	Initial version	2024.07.25	Summer.Xia	Date	Name	REAN			

# Mouser Electronics

Authorized Distributor

Click to View Pricing, Inventory, Delivery & Lifecycle Information:

[Neutrik:](#)

[RRE8F-Z-112S-0](#)