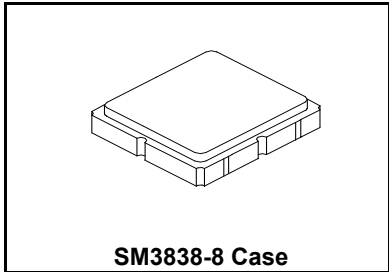


SF2423D

**480 MHz
SAW Filter**



- *Hermetically sealed Surface Mount package*
- *Complies with Directive 2002/95/EC (RoHS)*



Absolute Maximum Ratings

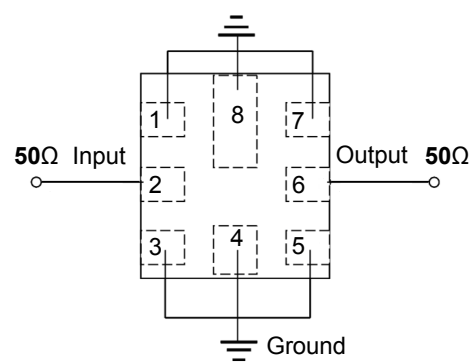
Rating	Value	Units
Maximum Input Power	+10	dBm
DC Voltage	3	VDC
Operable Temperature Range	-45 to +125	°C
Specification Temperature	-40 to +85	°C
Storage Temperature	-40 to +85	°C

Electrical Characteristics

Characteristic	Sym	Notes	Minimum	Typical	Maximum	Units
Nominal Operating Frequency	f_c			480		MHz
Max Insertion Loss 470 to 490 MHz				2.0	3.0	dB
2dB Bandwidth			20	24.3		MHz
Attenuation (Reference level from 0dB)						
$f_c -100$ to $f_c -45$ MHz			40	56		dB
$f_c +45$ to $f_c +55$ MHz			30	56		
$f_c +55$ to $f_c +100$ MHz			40	54		
Temperature Coefficient of Frequency				36		ppm/k
Source Impedance	Z_S			50		Ω
Load Impedance	Z_L			50		Ω
Footprint Size: 3.8 X 3.8						SM3838-8
Lid Symbolization (Y=Year, WW=week, S=shift)		B37//YWWWS				

Electrical Connections

Connection	Terminals
Input	2
Output	6
Ground	All Others



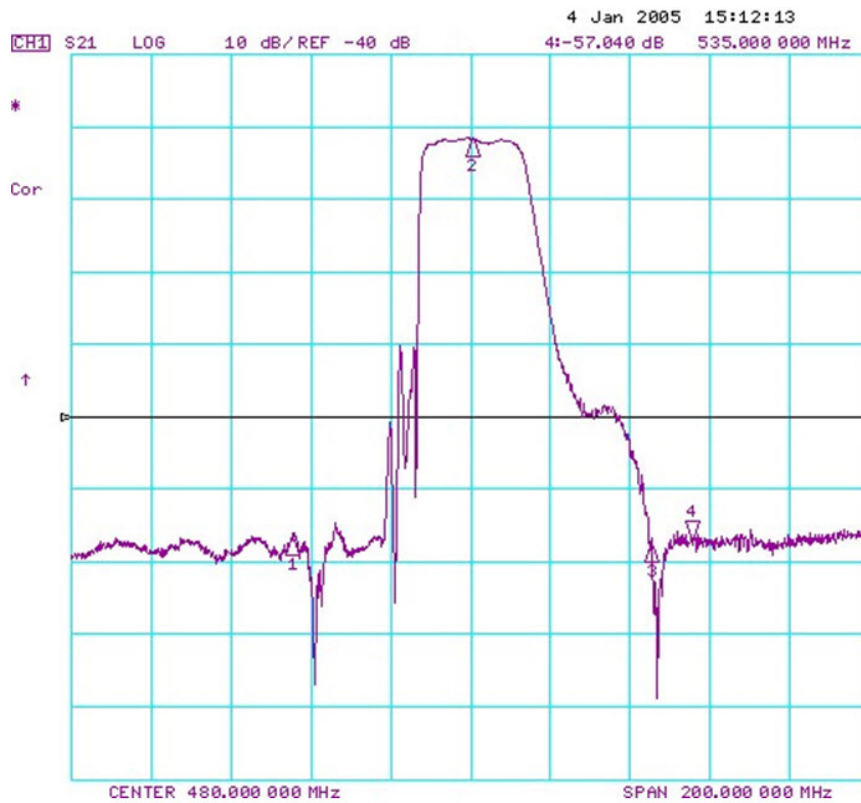
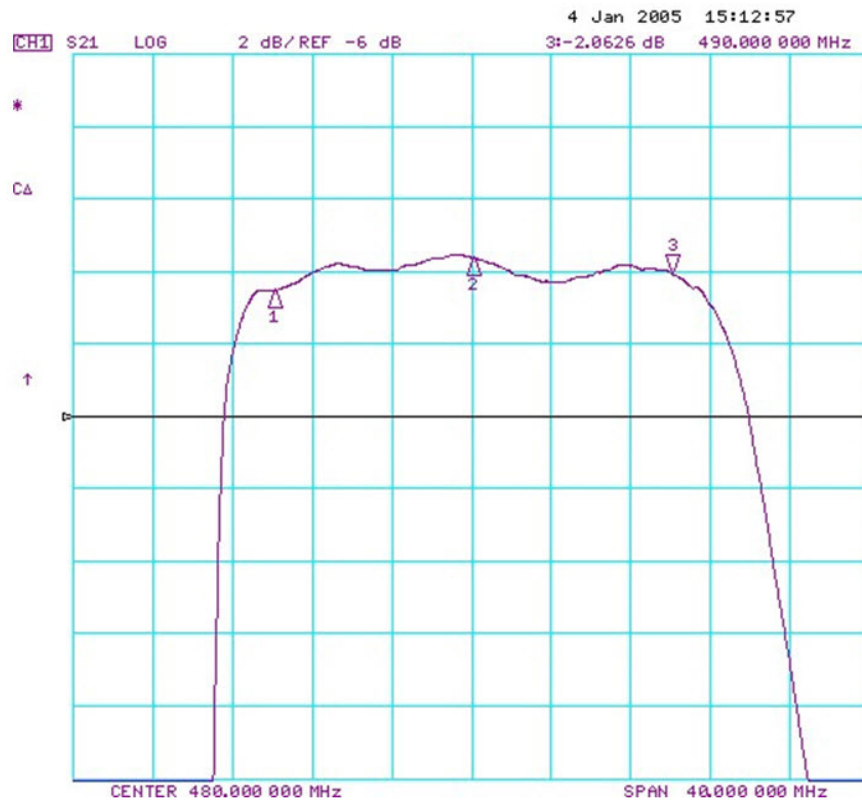
CAUTION: Electrostatic Sensitive Device. Observe precautions for handling.



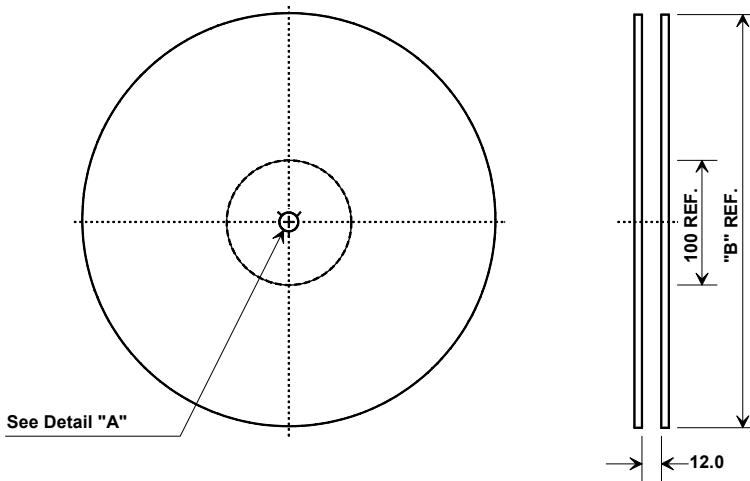
NOTES:

1. All specifications apply over the operating temperature range with filter soldered to the specified demonstration board unless noted otherwise.
2. Ultimate rejection is dependent on PCB layout.
3. Specifications subject to change without notice.
4. Electrostatic Sensitive Device. Observe precautions for handling.
5. US and international patents may apply.
6. Murata, stylized Murata logo, and Murata N.A., Inc. are registered trademarks of Murata Manufacturing Co., Ltd.

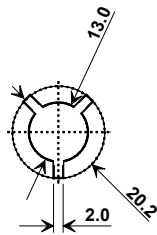
Frequency Characteristics



Tape and Reel Specifications

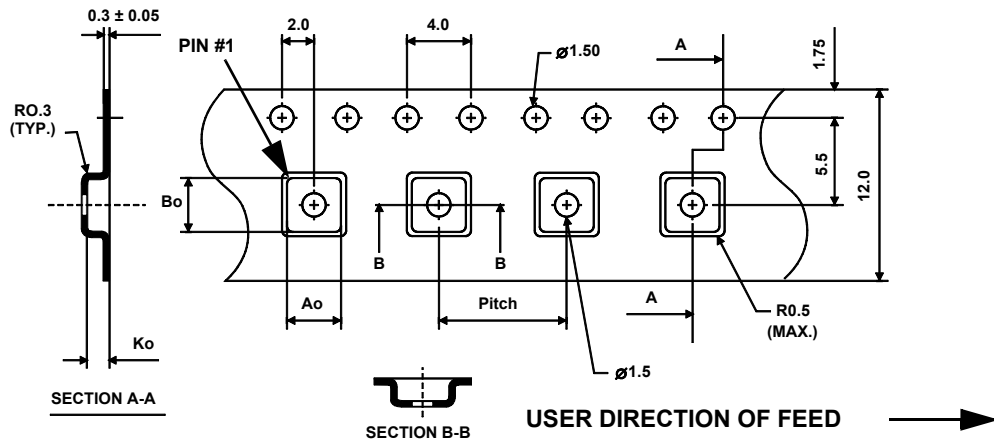


"B "		Quantity Per Reel
Nominal Size		
Inches	millimeters	
7	178	500
13	330	3000

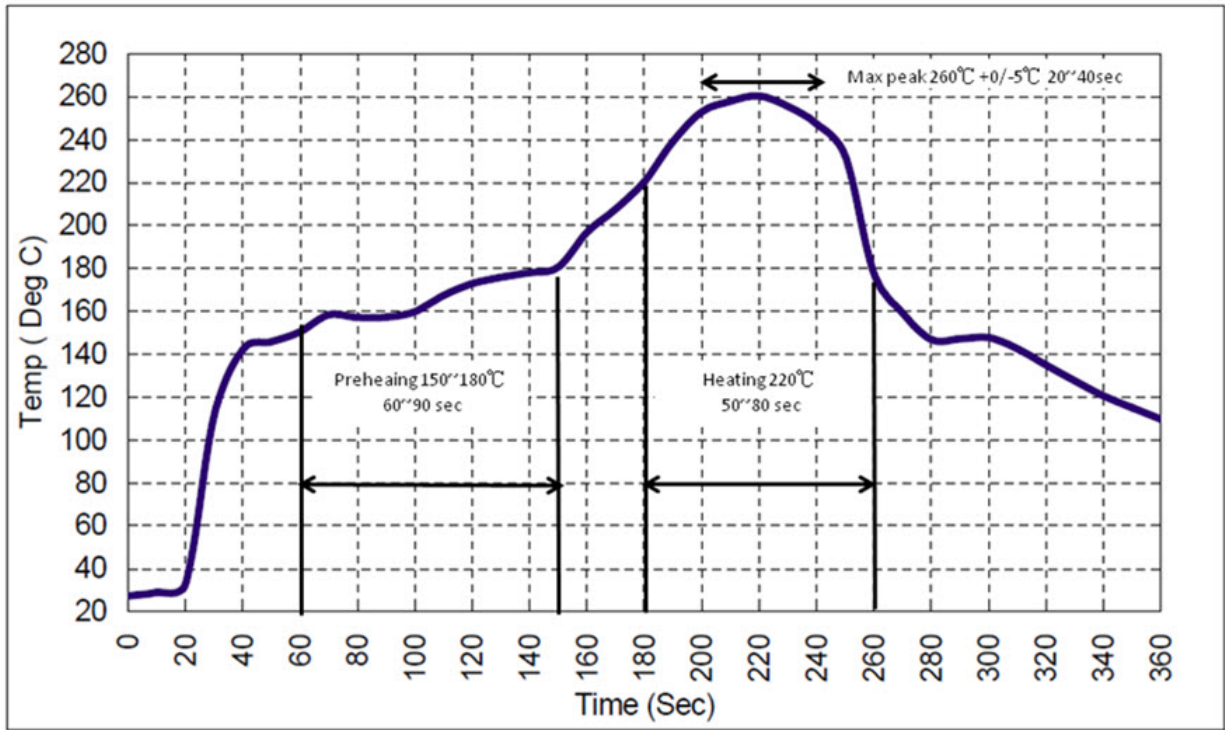


COMPONENT ORIENTATION and DIMENSIONS

Carrier Tape Dimensions	
Ao	4.25 mm
Bo	4.25 mm
Ko	1.30 mm
Pitch	8.0 mm
W	12.0 mm



Reflow Profile



Mouser Electronics

Authorized Distributor

Click to View Pricing, Inventory, Delivery & Lifecycle Information:

[Murata:](#)

[SF2423D](#)