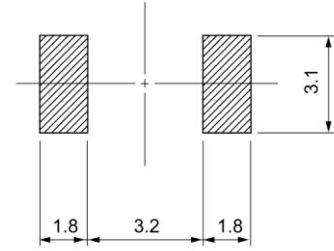
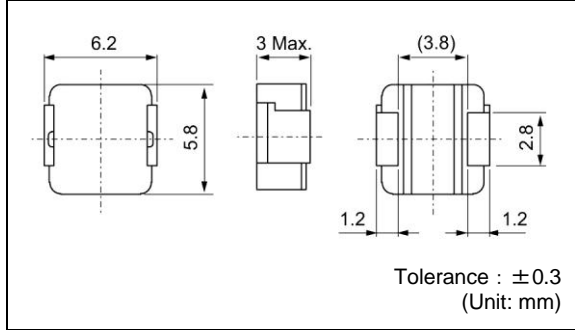
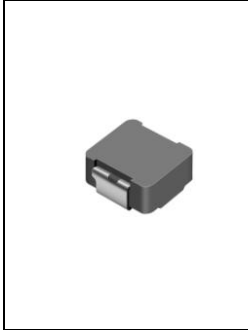


**FDV0530**

RoHS REACH

Inductance Range: 0.11~4.7μH

Recommended patterns  
推荐焊盘尺寸推奨



(Unit: mm)

**FEATURES 特点**

- 6.2 × 5.8mm square and 3.0mm Max. height.
- Magnetically shielded construction, low DC resistance.
- The use of magnetic iron powder ensure capability for large current.
- Low audible core noise.
- Ideal for DC-DC converter applications.
- Operating temperature (-20~+100°C)
- 最大6.2 × 5.8毫米的平面，最大高度3.0毫米
- 磁性屏蔽结构，低直流电阻
- 使用合金系磁性粉，保证了大电流
- 低芯片噪音
- DC-DC转换器电感器的理想选择
- 使用温度范围：-20 ~ +100°C

**STANDARD PART NUMBERS 标准零件号码**

**TYPE FDV0530 (Quantity/reel; 1,000 PCS)**

零件号码	电感值 <sup>(1)</sup>	公差	最大直流电阻 <sup>(2)</sup>	最大电感减小电流 <sup>(3)</sup>	最大温度上升电流 <sup>(4)</sup>
Part Number	Inductance <sup>(1)</sup> (μH)	Tolerance (%)	DC Resistance <sup>(2)</sup> (mΩ) Max. (Typ.)	Inductance Decrease Current <sup>(3)</sup> (A) Max. (Typ.) $\frac{\Delta L}{L} = 20\%$	Temperature Rise Current <sup>(4)</sup> ΔT=40°C (A) Max. (Typ.)
FDV0530-H-R11M=P3	0.11	± 20	1.6 (1.3)	19.6 (26.2)	18.2 (22.7)
FDV0530-H-R20M=P3	0.20	± 20	2.4 (2.1)	17.5 (23.3)	17.7 (20.8)
FDV0530-H-R36M=P3	0.36	± 20	4.1 (3.6)	12.6 (16.9)	13.9 (16.3)
FDV0530-H-R56M=P3	0.56	± 20	6.3 (5.5)	11.3 (15.1)	11.1 (13.1)
FDV0530-H-R75M=P3	0.75	± 20	7.6 (6.6)	9.9 (13.1)	9.7 (11.4)
FDV0530-H-1R0M=P3	1.0	± 20	11.2 (9.4)	8.4 (11.2)	7.7 (9.1)
FDV0530-H-1R5M=P3	1.5	± 20	15.5 (13.5)	5.7 (7.6)	6.6 (7.8)
FDV0530-H-2R2M=P3	2.2	± 20	19.9 (17.3)	5.3 (7.1)	6.0 (7.0)
FDV0530-H-3R3M=P3	3.3	± 20	34.1 (29.6)	4.1 (5.5)	4.5 (5.3)
FDV0530-H-4R7M=P3	4.7	± 20	53.6 (46.6)	3.5 (4.6)	3.6 (4.2)

(1) Inductance is measured with a LCR meter 4284A (Agilent Technologies) or equivalent.  
Test frequency at 100kHz

(2) DC resistance is measured with 34420A (Agilent Technologies) or 3541 (HIOKI). (Reference ambient temperature 25°C)

(3) Inductance Decrease Current based upon 20% inductance reduction from the initial value

(4) Temperature Rise Current based upon 40°C temperature rise. (Reference ambient temperature 25°C)

(5) Absolute maximum voltage 30VDC.

(1) LCR仪表4284A (Agilent技术) 或者功能相同的仪器在100kHz下测试电感值。

(2) 通过数码万用表34420A (Agilent技术) 或者3541 (HIOKI)测试直流电阻。(环境温度为25°C)

(3) 电感值降低电流是基于电感值从最初的值降低20%计算的。

(4) 温度升高电流是基于温度上升40°C的基础上衡量的。(参考周围环境温度25°C)

(5) 绝对最高电压30伏特。

注意：如果你准备使用该产品作为商业用途等，请确认你与我们的销售部仔细讨论了你的购买计划。

NOTICE: Please be sure that you carefully discuss your planned purchase with our sales division if you intend to use the product for business use etc. is severe.

# Mouser Electronics

Authorized Distributor

Click to View Pricing, Inventory, Delivery & Lifecycle Information:

## Murata:

[FDV0530-H-R56M=P3](#) [FDV0530-H-4R7M=P3](#) [FDV0530-H-R20M=P3](#) [FDV0530-H-3R3M=P3](#) [FDV0530-H-R36M=P3](#)

[FDV0530-H-1R5M=P3](#) [FDV0530-H-R11M=P3](#) [FDV0530-H-2R2M=P3](#) [FDV0530-H-R75M=P3](#) [FDV0530-H-1R0M=P3](#)