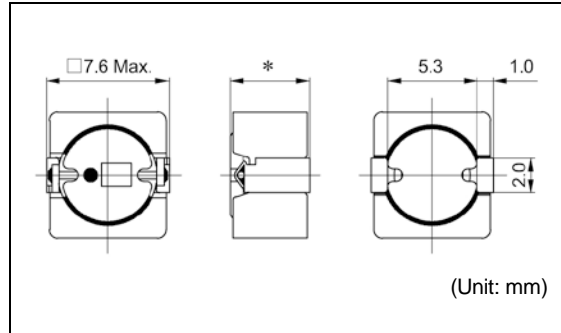
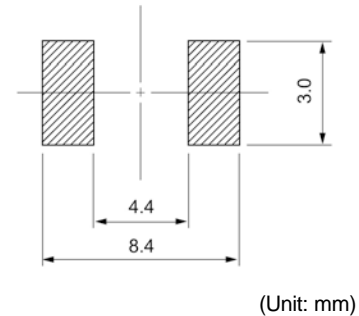


DS73LC / DS74LC

Inductance Range: 1.0~220 μ H (DS73LC),
 2.4~470 μ H (DS74LC)

Recommended patterns
 推奨パターン図


*: DS73LC ; 3.0mm Max.
 DS74LC ; 4.0mm Max.



(Unit: mm)

FEATURES 特長

- Low-profile (7.6mm Max. square, 3.0 and 4.0mm Max. height).
- Magnetically shielded construction
- Suitable for large current.
- Ideal for a variety of DC-DC converter inductor applications.
- RoHS compliant.
- 低背 (7.6mm角Max.、高さ3.0および4.0mm Max.)
- 閉磁路構造
- 大電流対応
- 各種機器のDC-DCコンバータ用インダクタに最適
- RoHS指令対応

STANDARD PART NUMBERS 標準品一覧
TYPE DS73LC (Quantity/reel; 1000 PCS)

| 品番 | インダクタンス ⁽¹⁾ | 許容差 | 直流抵抗 ⁽²⁾ | 直流重畳許容電流 ⁽³⁾ | | 温度上昇許容電流 ⁽³⁾ |
|-----------------|---|---------------|---|---|---------------------------|---|
| Part Number | Inductance ⁽¹⁾ (μ H) | Tolerance (%) | DC Resistance ⁽²⁾ (m Ω) Max. (Typ.) | Inductance Decrease Current ⁽³⁾ (A) Max. (Typ.) | | Temperature Rise Current ⁽³⁾ $\Delta T=40^{\circ}\text{C}$ (A) Max. (Typ.) |
| | | | | $\frac{\Delta L}{L}=10\%$ | $\frac{\Delta L}{L}=30\%$ | |
| B1079AS-1R0N=P3 | 1.0 | ± 30 | 11 (9.3) | 5.25 (7.00) | 6.75 (9.00) | 6.50 (7.60) |
| B1079AS-1R5N=P3 | 1.5 | ± 30 | 13 (11) | 4.35 (5.80) | 5.60 (7.50) | 6.00 (7.00) |
| B1079AS-2R0N=P3 | 2.0 | ± 30 | 19 (16) | 3.60 (4.80) | 4.70 (6.30) | 4.60 (5.40) |
| B1079AS-2R7N=P3 | 2.7 | ± 30 | 25 (21) | 3.15 (4.20) | 4.05 (5.40) | 3.80 (4.50) |
| B1079AS-3R3N=P3 | 3.3 | ± 30 | 29 (24) | 2.75 (3.70) | 3.60 (4.80) | 3.70 (4.40) |
| B1079AS-3R9N=P3 | 3.9 | ± 30 | 32 (27) | 2.55 (3.40) | 3.30 (4.40) | 3.30 (3.90) |
| B1079AS-4R7N=P3 | 4.7 | ± 30 | 40 (33) | 2.30 (3.10) | 3.00 (4.00) | 3.00 (3.50) |
| B1079AS-6R8N=P3 | 6.8 | ± 30 | 54 (45) | 1.95 (2.60) | 2.50 (3.30) | 2.30 (2.70) |
| B1079AS-100M=P3 | 10 | ± 20 | 77 (64) | 1.60 (2.10) | 2.00 (2.70) | 2.00 (2.40) |
| B1079AS-150M=P3 | 15 | ± 20 | 114 (95) | 1.25 (1.70) | 1.65 (2.20) | 1.45 (1.70) |
| B1079AS-220M=P3 | 22 | ± 20 | 150 (125) | 1.05 (1.40) | 1.40 (1.90) | 1.35 (1.60) |
| B1079AS-330M=P3 | 33 | ± 20 | 228 (190) | 0.90 (1.20) | 1.10 (1.50) | 1.10 (1.30) |
| B1079AS-470M=P3 | 47 | ± 20 | 300 (250) | 0.75 (1.00) | 1.00 (1.30) | 0.87 (1.00) |
| B1079AS-560M=P3 | 56 | ± 20 | 348 (290) | 0.70 (0.93) | 0.91 (1.21) | 0.80 (0.94) |
| B1079AS-680M=P3 | 68 | ± 20 | 492 (410) | 0.62 (0.83) | 0.80 (1.07) | 0.70 (0.83) |
| B1079AS-101M=P3 | 100 | ± 20 | 696 (580) | 0.50 (0.67) | 0.65 (0.86) | 0.54 (0.68) |
| B1079AS-151M=P3 | 150 | ± 20 | 1188 (990) | 0.41 (0.54) | 0.53 (0.70) | 0.47 (0.56) |
| B1079AS-221M=P3 | 220 | ± 20 | 1512 (1260) | 0.35 (0.46) | 0.44 (0.59) | 0.36 (0.42) |

continued from previous page 前頁より続く

STANDARD PART NUMBERS 標準品一覧
TYPE DS74LC (Quantity/reel; 1000 PCS)

| 品番 | インダクタンス ⁽¹⁾ | 許容差 | 直流抵抗 ⁽²⁾ | 直流重畳許容電流 ⁽³⁾ | | 温度上昇許容電流 ⁽³⁾ |
|-----------------|-----------------------------------|---------------|--|---|-----------------------------|---|
| Part Number | Inductance ⁽¹⁾ (μH) | Tolerance (%) | DC Resistance ⁽²⁾ (mΩ) Max. (Typ.) | Inductance Decrease Current ⁽³⁾ (A) Max. (Typ.) | | Temperature Rise Current ⁽³⁾ ΔT=40°C (A) Max. (Typ.) |
| | | | | $\frac{\Delta L}{L} = 10\%$ | $\frac{\Delta L}{L} = 30\%$ | |
| B1077AS-2R4N=P3 | 2.4 | ± 30 | 16 (13) | 3.80 (5.00) | 5.00 (6.70) | 4.50 (5.30) |
| B1077AS-3R0N=P3 | 3.0 | ± 30 | 20 (17) | 3.30 (4.40) | 4.40 (5.90) | 4.10 (4.90) |
| B1077AS-4R7N=P3 | 4.7 | ± 30 | 34 (28) | 2.60 (3.50) | 3.45 (4.60) | 3.00 (3.50) |
| B1077AS-6R8N=P3 | 6.8 | ± 30 | 40 (33) | 2.30 (3.10) | 3.10 (4.10) | 2.70 (3.20) |
| B1077AS-100M=P3 | 10 | ± 20 | 58 (48) | 1.80 (2.40) | 2.40 (3.20) | 2.20 (2.60) |
| B1077AS-150M=P3 | 15 | ± 20 | 80 (66) | 1.50 (2.00) | 1.95 (2.60) | 2.00 (2.40) |
| B1077AS-220M=P3 | 22 | ± 20 | 98 (82) | 1.20 (1.60) | 1.60 (2.10) | 1.70 (2.10) |
| B1077AS-330M=P3 | 33 | ± 20 | 165 (135) | 1.00 (1.40) | 1.35 (1.80) | 1.30 (1.50) |
| B1077AS-470M=P3 | 47 | ± 20 | 230 (190) | 0.86 (1.10) | 1.10 (1.50) | 1.10 (1.30) |
| B1077AS-680M=P3 | 68 | ± 20 | 305 (255) | 0.71 (0.94) | 0.94 (1.25) | 0.90 (1.10) |
| B1077AS-101M=P3 | 100 | ± 20 | 445 (370) | 0.59 (0.79) | 0.80 (1.06) | 0.75 (0.88) |
| B1077AS-151M=P3 | 150 | ± 20 | 835 (695) | 0.46 (0.61) | 0.61 (0.81) | 0.52 (0.61) |
| B1077AS-221M=P3 | 220 | ± 20 | 1150 (945) | 0.39 (0.52) | 0.52 (0.69) | 0.44 (0.52) |
| B1077AS-331M=P3 | 330 | ± 20 | 1900 (1550) | 0.32 (0.42) | 0.44 (0.58) | 0.34 (0.41) |
| B1077AS-471M=P3 | 470 | ± 20 | 2390 (1990) | 0.26 (0.35) | 0.35 (0.46) | 0.31 (0.37) |

(1) Inductance is measured with a LCR meter 4284A (Agilent Technologies) or equivalent.
Test frequency at 100kHz

(2) DC resistance is measured with 34420A (Agilent Technologies) or 3541 (HIOKI). (Reference ambient temperature 25°C)

(3) Maximum allowable DC current is that which causes a 10% inductance reduction from the initial value, or coil temperature to rise by 40°C, whichever is smaller. (Reference ambient temperature 20°C)

(1) インダクタンスはLCRメータ4284A (Agilent Technologies) または同等品により測定する。
測定周波数は100kHz。

(2) 直流抵抗は測定器34420A (Agilent Technologies) または3541 (HIOKI) と同等品により測定する。(周囲温度25°C)

(3) 最大許容電流は、直流重畳電流を流した時インダクタンスの値が初期値より10%減少する直流電流値、または直流電流により、コイルの温度が40°C上昇の何れか小さい値。(周囲温度20°Cを基準とする。)

Mouser Electronics

Authorized Distributor

Click to View Pricing, Inventory, Delivery & Lifecycle Information:

Murata:

[B1079AS-220M=P3](#) [B1077AS-680M=P3](#) [B1079AS-151M=P3](#) [B1079AS-3R9N=P3](#) [B1077AS-220M=P3](#) [B1077AS-3R0N=P3](#) [B1079AS-101M=P3](#) [B1077AS-101M=P3](#) [B1077AS-331M=P3](#) [B1079AS-1R5N=P3](#) [B1079AS-4R7N=P3](#) [B1079AS-2R0N=P3](#) [B1077AS-221M=P3](#) [B1077AS-150M=P3](#) [B1079AS-100M=P3](#) [B1079AS-3R3N=P3](#) [B1077AS-4R7N=P3](#) [B1079AS-150M=P3](#) [B1079AS-221M=P3](#) [B1077AS-2R4N=P3](#) [B1079AS-560M=P3](#) [B1077AS-100M=P3](#) [B1079AS-470M=P3](#) [B1077AS-6R8N=P3](#) [B1079AS-330M=P3](#) [B1079AS-6R8N=P3](#) [B1077AS-471M=P3](#) [B1077AS-330M=P3](#) [B1079AS-1R0N=P3](#) [B1077AS-151M=P3](#) [B1079AS-680M=P3](#) [B1079AS-2R7N=P3](#) [B1077AS-470M=P3](#)