

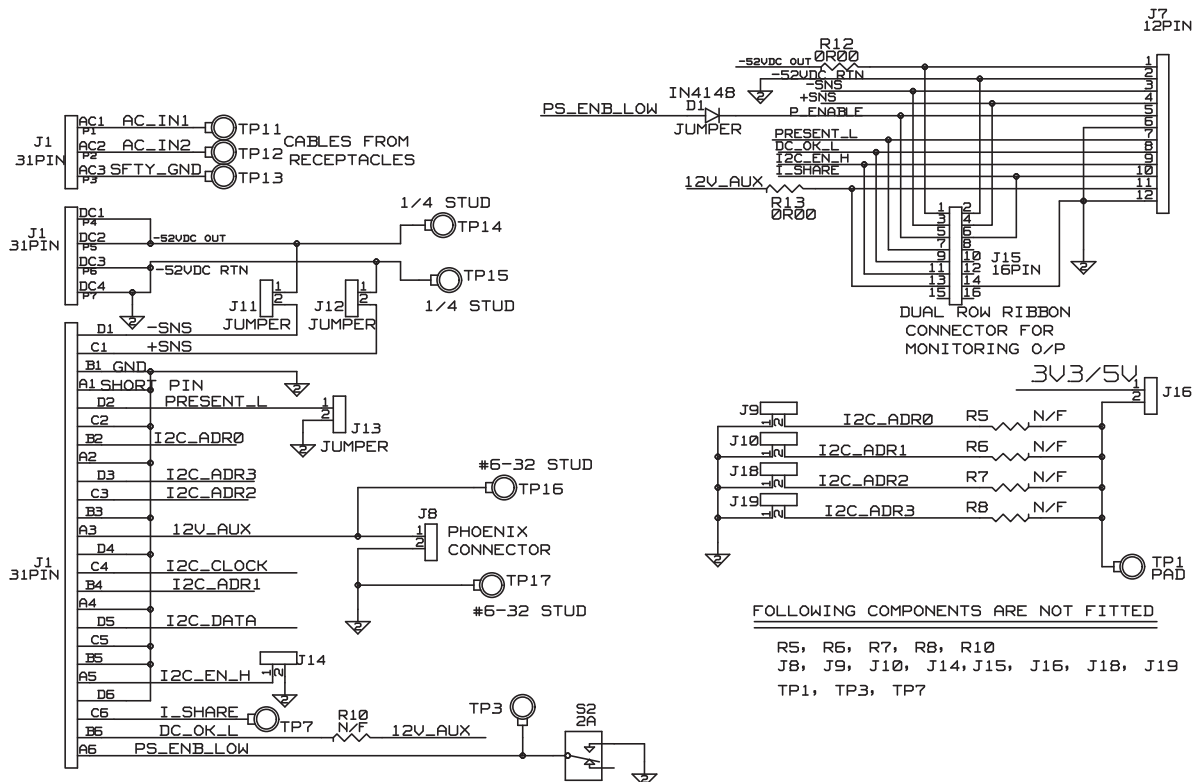
PRODUCT OVERVIEW

This Output Connector card can be used to connect the D1U-H power supply for bringing out the output voltage and signals for bench evaluation. Customers can also use this card as an interface to their applications.

SAFETY PRECAUTION

This D1U-52-CONC output connector card is intended to facilitate the connection for the user to evaluate the D1U-H power supply in the laboratory by qualified personnel. There is 200Vac and 52V exposed on this output connector card, please take the necessary safety precautions during your product evaluation.

SCHEMATIC - D1U-52-CONC



For full details go to
www.murata-ps.com/rohs

SIGNAL SPECIFICATION				
Pin Assignment	Signal Name	Description	High Level Low Level	I Max
D2	P_Good	Power good signal output (Internal pull up is 5kΩ to Vsb)	>2.4V (active, Good) <0.4V	-2 mA +4 mA
A1	+SENSE1	VOUT remote sense, positive node input, connected to the +ve load point		
A2	-SENSE1	VOUT remote sense, negative node input connected to the -ve load point		
A6	PS_ON	Internal 1K ohm pull-up to Vsb, (accepts open collector/ drain drive), This signal to be pulled low to turn-on power supply	>2.1V (open, or Vsb) <0.7V (active, PS:On)	-1 mA -4 mA
B5	PS_Kill	Floating pin will turn off P/S (shorter pin, last-make and first-break contact for hot plugging). This signal overrides PS-On in disabling the main output	>2.1V <0.7V (open, or Vsb) (active, PS:On)	N/A
B6	Present	Internally tied to Vsb return	0 V	
	N/C	No Connection		
	N/C	No Connection		
	N/C	No Connection		
D1	AC_OK	Input AC Voltage "OK" signal output (Internal pull up is 5kΩ to Vsb)	>2.4V (active, OK) <0.4V	-2 mA +4 mA
C5, C6, D5, D6	V_SB	Standby voltage output		

There is a jumper already installed between PS_Kill and Gnd .

There is a switch already installed to toggle the PS_ON to Gnd for enabling the power supply.

Mouser Electronics

Authorized Distributor

Click to View Pricing, Inventory, Delivery & Lifecycle Information:

[Murata:](#)

[D1U-52-CONC](#)