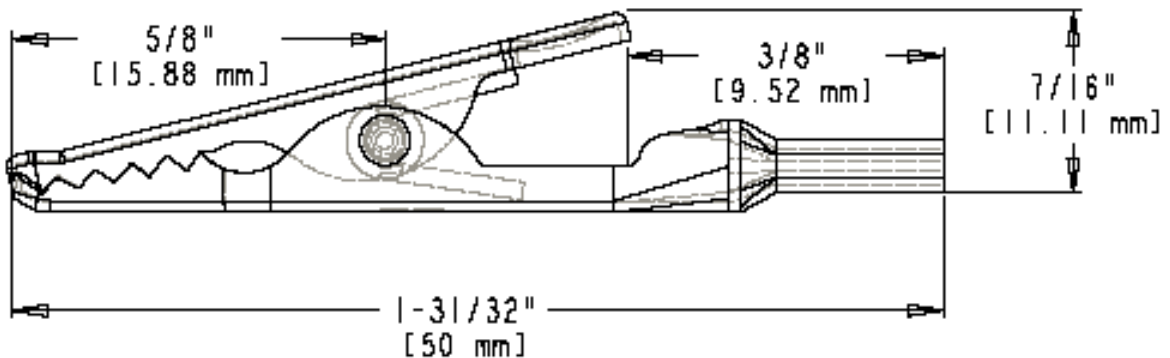
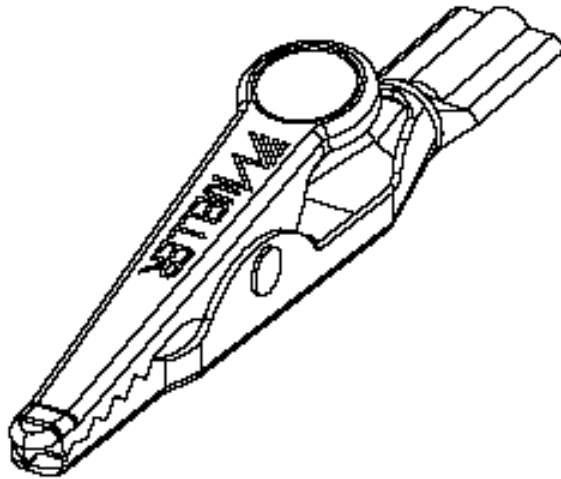




Part Number: BU-60PR2
Description: Phone Tip Alligator Clip
3507



- Phone Tip Alligator Clip
- Accepts standard phone tip or test prod tip
- Jaw opens 0.31" (7.9 mm) max
- Material: nickel-plated steel
- Length: 1.97" (50 mm)
- Rating: 10 Amps
- RoHS Compliant

Mouser Electronics

Authorized Distributor

Click to View Pricing, Inventory, Delivery & Lifecycle Information:

[Mueller Electric:](#)

[BU-60PR2](#)