

4 CKT TOP VIEW

4 CKT:
BOTH SIDE WITH POLARIZATION SLOT
6 CKT & ABV:
ONLY 1 SIDE WITH POLARIZATION SLOT

PEG OPTION	P/N WITH CAP IN TAPE & REEL		P/N WITH CAP IN TUBE		CKT SIZE	DIMENSION			
	15µm Gold	30µm Gold	15µm Gold	30µm Gold		A	B	C	D
NO	87832-0440	87832-0442	87832-0441	87832-0443	4	2.00	4.85	6.65	5.00
YES	87832-0640	87832-0642	87832-0641	87832-0643	6	4.00	6.85	8.65	7.00
YES	87832-0840	87832-0842	87832-0841	87832-0843	8	6.00	8.85	10.65	9.00
YES	87832-1040	87832-1042	87832-1041	87832-1043	10	8.00	10.85	12.65	11.00
YES	87832-1240	87832-1242	87832-1241	87832-1243	12	10.00	12.85	14.65	13.00

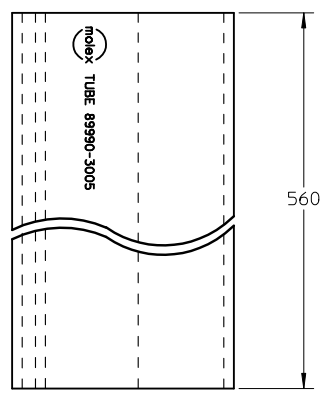
NOTES:

- FOR ILLUSTRATION PURPOSES, 8 CIRCUIT SIZE WAFER IS SHOWN.
- MATERIAL :
HOUSING & CAP : 30% G.F., NYLON 46, UL94V-0, COLOR BLACK.
PIN : 0.50MM SQ.PHOSPHOR BRONZE.
- PLATING :
40, 41 - 0.38µm/15uin GOLD IN CONTACT AREA AND 1.88µm/75uin MIN.TIN IN SOLDER TAIL AREA OVER 1.27µm/50uin MIN. NICKEL OVERALL.
42, 43 - 0.76µm/30uin GOLD IN CONTACT AREA AND 1.88µm/75uin MIN.TIN IN SOLDER TAIL AREA OVER 1.27µm/50uin MIN. NICKEL OVERALL.
- PIN PUSHOUT FORCE : 0.91 KG MIN. IN EITHER DIRECTION.
- PRODUCT SPECIFICATION PS-87831-027 APPLIES.
- COPLANARITY IS TO BE MEASURED BY RESTING THE SOLDER TAIL ON A GAUGE SURFACE.
- CAP TO BE POSITION IN THE CENTER OF HEADER FOR PICK AND PLACE.
- CKT 4 & 6 HAS NO IDENTIFICATION TAG.
- THIS HEADER MATES WITH MOLEX:
 - CRIMP RECEPTACLE HOUSING, 51110 SERIES WITH CRIMP TERMINAL, 50394 SERIES.
 - 2MM MILLIGRID DUAL ROW IDT, 87568 SERIES.
- PARTS SHALL BE PACKED IN MOISTURE BAG WITH DESICCANT GEL.
- NO CENTRE POLARIZATION SLOT FOR CKT SIZE 4 AND 6.

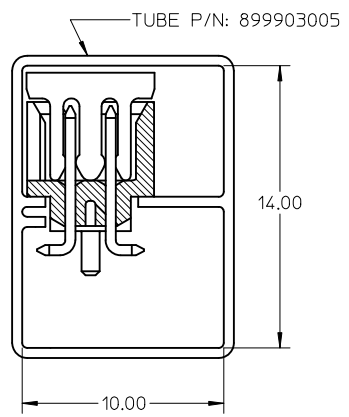
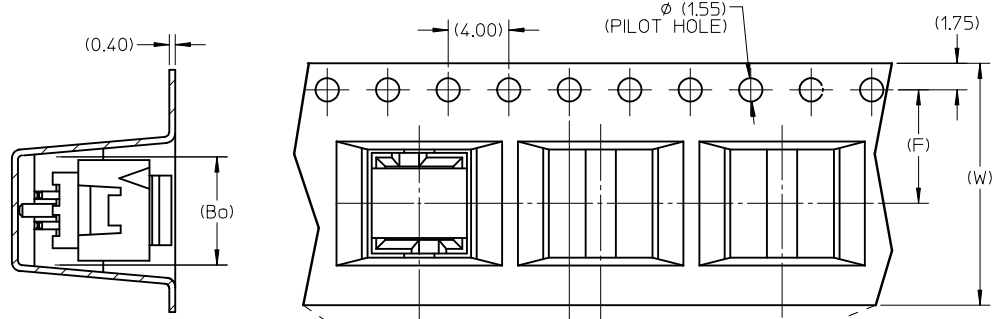
REVISED EC NO: S2012-0647 DRWN:SKANG CHKD:ATSEE APPR:MLONG 2012/02/29 2012/04/30 2012/05/03	QUALITY SYMBOLS ▽=0 ◻=0	GENERAL TOLERANCES (UNLESS SPECIFIED)		DIMENSION STYLE		SCALE	DESIGN UNITS	THIRD ANGLE PROJECTION			
				MM ONLY		NTS	METRIC				
				mm	INCH	DRAWN BY		DATE		TITLE	
				4 PLACES	± ---	± ---	ATSEE	2004/07/29		MGRID, SHROUDED HEADER W/PEG/CAP/LOCK FEATURES SMT, IN TUBE AND T&R	
		3 PLACES	± ---	± ---	CHECKED BY	DATE		MOLEX INCORPORATED			
		2 PLACES	± 0.15	± ---	KCLING	2004/08/05		MOLEX INCORPORATED			
		1 PLACE	± ---	± ---	APPROVED BY	DATE		MOLEX INCORPORATED			
		ANGULAR ± 3 °		SKTOH		2004/08/05		MOLEX INCORPORATED			
		DRAFT WHERE APPLICABLE MUST REMAIN WITHIN DIMENSIONS		MATERIAL NO.		DOCUMENT NO.		SHEET NO.			
				SEE TABLE		SD-87832-013		1 OF 2			
				SIZE A3		THIS DRAWING CONTAINS INFORMATION THAT IS PROPRIETARY TO MOLEX INCORPORATED AND SHOULD NOT BE USED WITHOUT WRITTEN PERMISSION					

WITH CAP IN TUBE PACKAGING

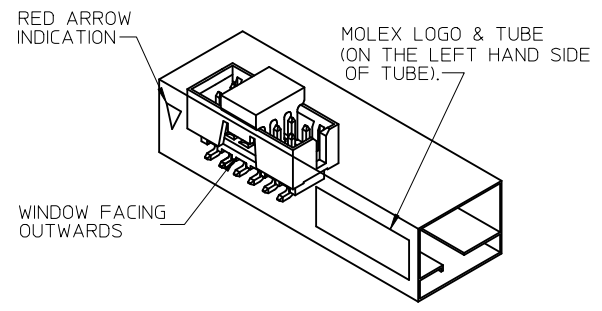
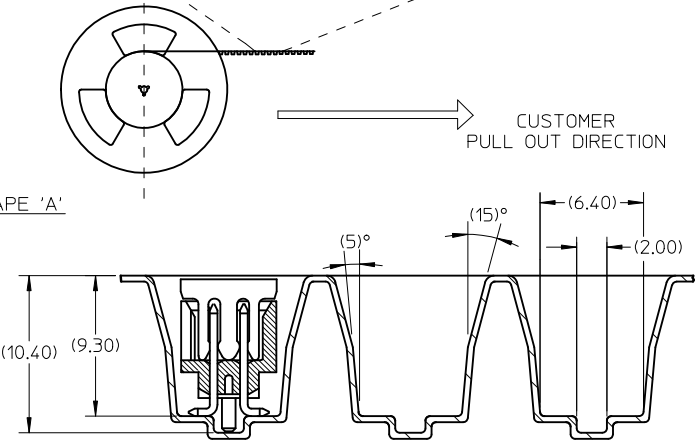
PART NUMBER WITH CAP IN TAPE/REEL		CKT SIZE	EMBOSS TAPE PART NUMBER	TOP TAPE NUMBER	REEL NUMBER	(F)	(Bo)	(So)	(W)
87832-0440	87832-0442	4	89990-7601	89990-5602	89990-5709	7.50	7.15	-	16.00
87832-0640	87832-0642	6	89990-7752	89990-5603	89990-5710	11.50	9.15	-	24.00
87832-0840	87832-0842	8	89990-7753	89990-5603	89990-5710	11.50	11.05	-	24.00
87832-1040	87832-1042	10	89990-7754	89990-5603	89990-5710	11.50	13.05	-	24.00
87832-1240	87832-1242	12	89990-7755	89990-5604	89990-5711	14.20	15.15	28.40	32.00



PART IN T&R FOR ILLUSTRATION PURPOSE ONLY



EMBOSSED CARRIER TAPE 'A'



REF : ORIENTATION OF PART IN TUBE.
(FOR THE REFERENCE OF PART/TUBE ASSEMBLY.)

- NOTES:
- LEADER AND TRAILER TAPE
 - PEELING OFF FORCE OF THE TOP TAPE: 20-80gf.
(PEELING DIRECTION AS SHOWN IN FOLLOWING FIGURE)
 - PACKAGING STANDARD IS AS PER EIA-481.

REVISED EC NO: S2012-0647 2012/02/29 DRW:SKANG CHKD:ATSEE 2012/04/30 APPR:MLONG 2012/05/03	QUALITY SYMBOLS ▽=0 ◻=0	GENERAL TOLERANCES (UNLESS SPECIFIED)		DIMENSION STYLE	SCALE	DESIGN UNITS	THIRD ANGLE PROJECTION
		mm	INCH	MM ONLY	NTS	METRIC	
A7	DESCRIPTION	4 PLACES	± ---	± ---	DRAWN BY	DATE	MGRID, SHROUDED HEADER W/PEG/CAP/LOCK FEATURES SMT, IN TUBE AND T&R MOLEX INCORPORATED
		3 PLACES	± ---	± ---	ATSEE	2004/07/29	
		2 PLACES	± 0.15	± ---	CHECKED BY	DATE	
		1 PLACE	± ---	± ---	KCL ING	2004/08/05	
ANGULAR ± 3 °		DRAFT WHERE APPLICABLE MUST REMAIN WITHIN DIMENSIONS		APPROVED BY	DATE	MATERIAL NO.	
				SKTOH	2004/08/05	DOCUMENT NO.	
				SEE TABLE		SD-87832-013	
				SIZE	THIS DRAWING CONTAINS INFORMATION THAT IS PROPRIETARY TO MOLEX INCORPORATED AND SHOULD NOT BE USED WITHOUT WRITTEN PERMISSION		
				A3	SHEET NO. 2 OF 2		

Mouser Electronics

Authorized Distributor

Click to View Pricing, Inventory, Delivery & Lifecycle Information:

[Molex:](#)

[87832-1040](#) [87832-0641](#)