

PLEASE CHECK WWW.MOLEX.COM FOR LATEST PART INFORMATION

Part Number: [0945120200](#)
Status: **Active**
Overview: Standard Quick-Disconnect Terminals
Description: Quick Disconnect, High Reliability Terminal (HRT), Female for (1.00-2.50mm²) 10-18 AWG Wire, Accepts 6.30 x 0.81mm Tab , Unplated

Documents:

[Drawing \(PDF\)](#) [RoHS Certificate of Compliance \(PDF\)](#)
[Product Specification PS-94512-002-001 \(PDF\)](#)

General

Product Family	Quick Disconnects
Series	94512
Crimp Quality Equipment	Yes
Insulated	No
Overview	Standard Quick-Disconnect Terminals
Product Name	N/A
Type	Quick Disconnect
UPC	800754332811

Physical

Barrel Type	Open
Gender	Female
Glow-Wire Capable	No
Insulation	None
Lock to Mating Part	None
Material - Metal	Brass
Material - Plating Mating	Unplated
Material - Plating Termination	Tin
Net Weight	0.752/g
Orientation	Straight
Packaging Type	Reel
Polarized to Mating Part	Yes
Tab Thickness	0.81mm
Tab Width	6.35mm
Temperature Range - Operating	-25° to +55°C
Termination Interface: Style	Crimp or Compression
Wire Size AWG	10, 14, 16, 18, 24
Wire Size mm ²	1.00-2.50

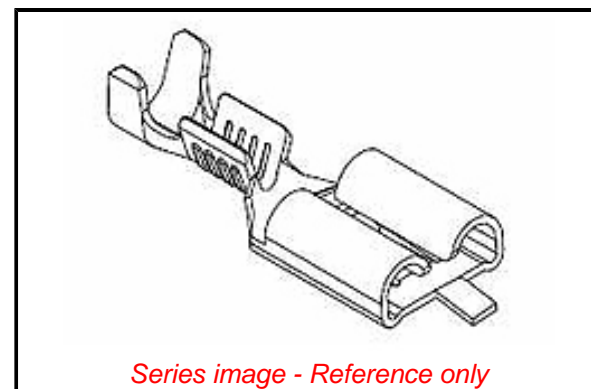
Electrical

Voltage - Maximum	250V
-------------------	------

Material Info

Reference - Drawing Numbers

Product Specification	PS-94512-002-001
Sales Drawing	SD-94512-004



EU ELV

Compliant

EU RoHS

Compliant

REACH SVHC

Not Contained Per
-ED/88/2018 (15
January 2019)

Halogen-Free

Status

Low-Halogen

For more information, please visit [Contact US](#)

China ROHS

ELV

RoHS Phthalates

China RoHS

Not Relevant

Compliant

Not Contained

Search Parts in this Series

[94512 Series](#)

Use With

[94090 Quick Disconnect Housing](#)

Application Tooling | FAQ

Tooling specifications and manuals are found by selecting the products below. Crimp Height Specifications are then contained in the Application Tooling Specification document.

Global

Description	Product #
Mini-Mac Applicator Rear Feed	638042000
Mini-Mac Applicator Rear Feed for Quick Disconnect Female Terminal, 14-18 AWG, UL1015 Wire	638064800
Hand Crimp Tool for Quick Disconnect, High Reliability Crimp Terminals	638194200

(HRT), Female for
1.00-2.50mm²

This document was generated on 03/27/2019

PLEASE CHECK WWW.MOLEX.COM FOR LATEST PART INFORMATION

Mouser Electronics

Authorized Distributor

Click to View Pricing, Inventory, Delivery & Lifecycle Information:

[Molex:](#)

[94512-0200](#)