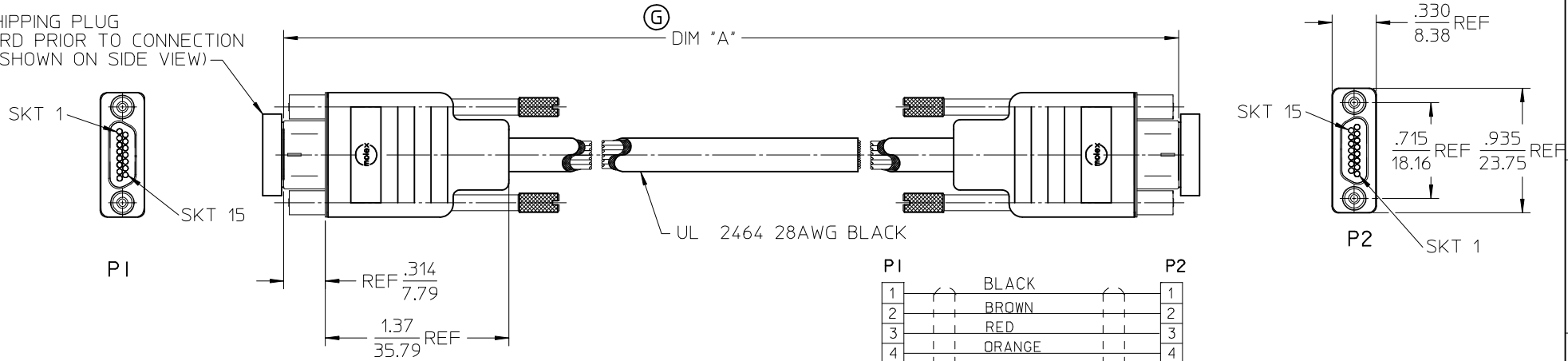


MATERIAL NO.	ENGINEERING NO.	DIM 'A' INCH	DIM 'A' MM
834229052	83422-9052	8.00+.59/-0.00	203+15/-00
834229053	83422-9053	18.00+.39/-0.39	457+10/-10
834229054	83422-9054	36.00+.75/-0.59	914+20/-00
834229055	83422-9055	72.00+1.50/-0.00	1829+40/-00
834229065	83422-9065	98.43+1.50/-0.00	2500+40/-00
834229072	83422-9072	60.00+1.50/-0.00	1524+40/-00

2X SHIPPING PLUG
DISCARD PRIOR TO CONNECTION
(NOT SHOWN ON SIDE VIEW)



P1		P2
1	BLACK	1
2	BROWN	2
3	RED	3
4	ORANGE	4
5	YELLOW	5
6	GREEN	6
7	BLUE	7
8	PURPLE	8
9	GRAY	9
10	WHITE	10
11	PINK	11
12	LIGHT GREEN	12
13	BLACK/WHITE	13
14	BROWN/WHITE	14
15	RED/WHITE	15
SHELL	D.W+BD	SHELL

CUSTOMER PRODUCTION APPROVAL
APPROVED BY: _____
DATE: _____
MUST BE SIGNED AND RETURNED BEFORE
PRODUCTION WILL BEGIN.

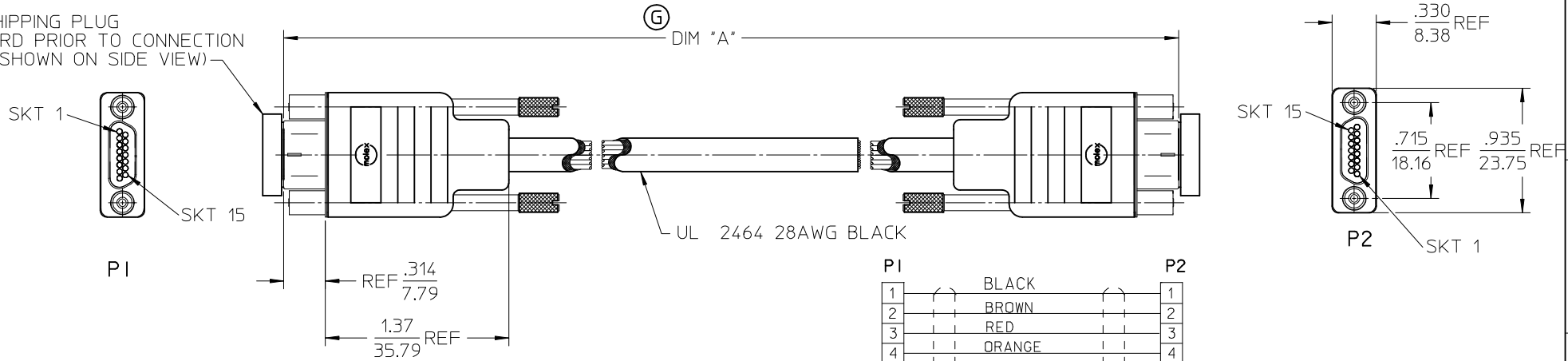
SALES DRAWING

NOTES:
1) REFER TO PS-83421-001 FOR PRODUCT SPEC.
2) RoHS COMPLIANT

CHG DIM'A' LOCATION EC NO: IFC2014-0962 DRW: BRUPERT 2013/11/25 CHKD: APPR: BWOODMAN 2013/12/06 REV DESCRIPTION	QUALITY SYMBOLS ▽=0 ▽=0	GENERAL TOLERANCES (UNLESS SPECIFIED) mm INCH 4 PLACES ± --- ± --- 3 PLACES ± --- ± --- 2 PLACES ± --- ± --- 1 PLACE ± --- ± --- ANGULAR ±1/2°	DIMENSION STYLE IN/MM DRAWN BY DATE JLOMASTR 04/09/23 CHECKED BY DATE RDEROSS 04/09/23 APPROVED BY DATE RDEROSS 04/09/29	SCALE DESIGN UNITS INCH THIRD ANGLE PROJECTION	COMMERCIAL MICRO D 15 SOCKET / 15 SOCKET CABLE ASSEMBLY MOLEX INCORPORATED
	DRAFT WHERE APPLICABLE MUST REMAIN WITHIN DIMENSIONS		MATERIAL NO. SEE CHART	DOCUMENT NO. SD-83422-005	SHEET NO. 1 OF 1
	THIS DRAWING CONTAINS INFORMATION THAT IS PROPRIETARY TO MOLEX INCORPORATED AND SHOULD NOT BE USED WITHOUT WRITTEN PERMISSION				
	THIS DRAWING CONTAINS INFORMATION THAT IS PROPRIETARY TO MOLEX INCORPORATED AND SHOULD NOT BE USED WITHOUT WRITTEN PERMISSION				

MATERIAL NO.	ENGINEERING NO.	DIM 'A' INCH	DIM 'A' MM
834229052	83422-9052	8.00+.59/-0.00	203+15/-00
834229053	83422-9053	18.00+.39/-0.39	457+10/-10
834229054	83422-9054	36.00+.75/-0.59	914+20/-00
834229055	83422-9055	72.00+1.50/-0.00	1829+40/-00
834229065	83422-9065	98.43+1.50/-0.00	2500+40/-00
834229072	83422-9072	60.00+1.50/-0.00	1524+40/-00

2X SHIPPING PLUG
DISCARD PRIOR TO CONNECTION
(NOT SHOWN ON SIDE VIEW)



P1		P2
1	BLACK	1
2	BROWN	2
3	RED	3
4	ORANGE	4
5	YELLOW	5
6	GREEN	6
7	BLUE	7
8	PURPLE	8
9	GRAY	9
10	WHITE	10
11	PINK	11
12	LIGHT GREEN	12
13	BLACK/WHITE	13
14	BROWN/WHITE	14
15	RED/WHITE	15
SHELL	D.W+BD	SHELL

CUSTOMER PRODUCTION APPROVAL
APPROVED BY: _____
DATE: _____
MUST BE SIGNED AND RETURNED BEFORE
PRODUCTION WILL BEGIN.

SALES DRAWING

NOTES:
1) REFER TO PS-83421-001 FOR PRODUCT SPEC.
2) RoHS COMPLIANT

CHG DIM'A' LOCATION EC NO: IFC2014-0962 DRW: BRUPERT 2013/11/25 CHKD: BWOODMAN 2013/12/06 APPR: BWOODMAN	QUALITY SYMBOLS ▽=0 ▽=0	GENERAL TOLERANCES (UNLESS SPECIFIED) mm INCH 4 PLACES ± --- ± --- 3 PLACES ± --- ± --- 2 PLACES ± --- ± --- 1 PLACE ± --- ± --- ANGULAR ±1/2°	DIMENSION STYLE IN/MM DRAWN BY DATE JLOMASTR 04/09/23 CHECKED BY DATE RDEROSS 04/09/23 APPROVED BY DATE RDEROSS 04/09/29	SCALE DESIGN UNITS INCH THIRD ANGLE PROJECTION	COMMERCIAL MICRO D 15 SOCKET / 15 SOCKET CABLE ASSEMBLY MOLEX INCORPORATED
	DRAFT WHERE APPLICABLE MUST REMAIN WITHIN DIMENSIONS	MATERIAL NO. SEE CHART	DOCUMENT NO. SD-83422-005	SHEET NO. 1 OF 1	
	THIS DRAWING CONTAINS INFORMATION THAT IS PROPRIETARY TO MOLEX INCORPORATED AND SHOULD NOT BE USED WITHOUT WRITTEN PERMISSION				
	SIZE B				

Mouser Electronics

Authorized Distributor

Click to View Pricing, Inventory, Delivery & Lifecycle Information:

[Molex:](#)

[83422-9072](#)