

MATERIALS AND FINISHES

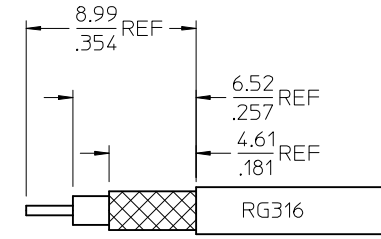
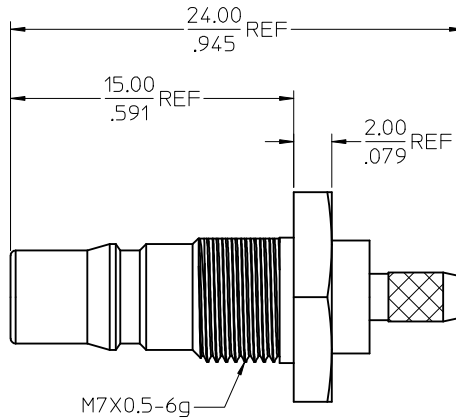
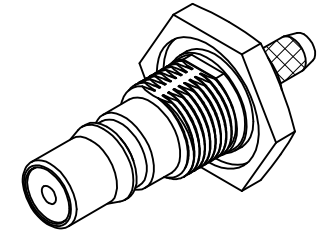
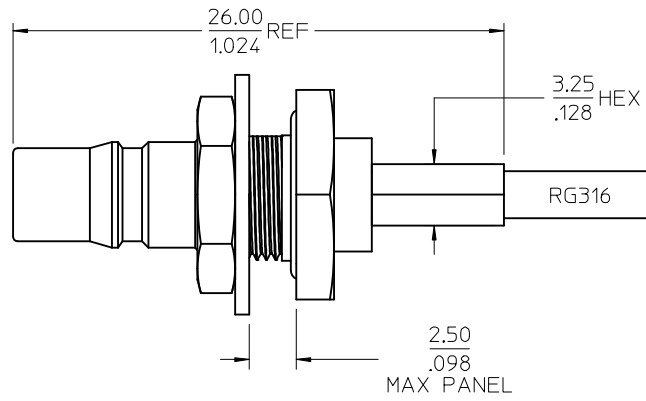
BODY: BRASS
PLATED TRI-METAL

CENTER CONTACT BERYLLIUM COPPER
PLATED GOLD

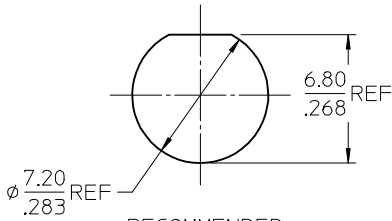
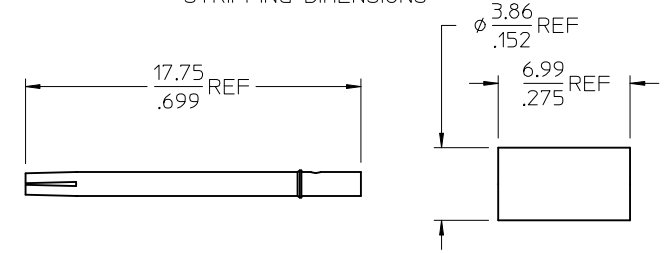
INSULATOR TEFLON

CRIMP TUBE, JAM NUT: BRASS
PLATED NICKEL

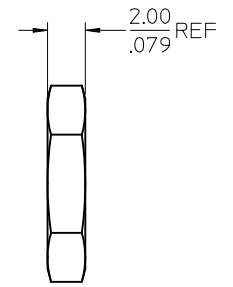
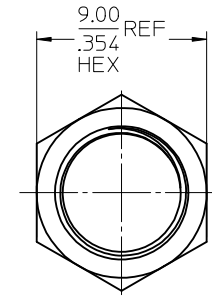
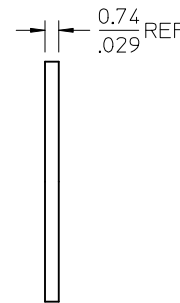
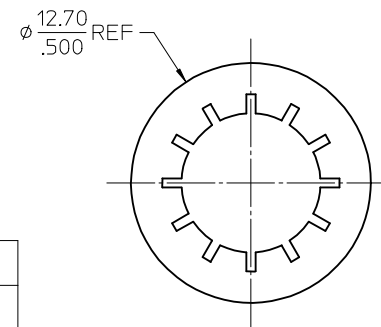
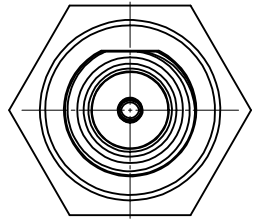
LOCKWASHER: PHOSPHER BRONZE
PLATED TRI-METAL



STRIPPING DIMENSIONS



RECOMMENDED
PANEL CUTOUT



73254-0101	ONE PIECE 73254-0100 PER BAG
73254-0100	TRAY
PART NO.	DESCRIPTION

CHG:	UPDATE PACKAGING	2015/05/25	QUALITY SYMBOLS	▽=0
	FOR 73254-0100			▽=0
EC NO:	URF2015-0659	2015/05/29	DESCRIPTION	▽=0
	DRW:RYEH			▽=0
CHKD:	YCHENG			
APPR:				
REV	B4			

GENERAL TOLERANCES (UNLESS SPECIFIED)	
mm	INCH
4 PLACES ± .005	± .0005
3 PLACES ± .002	± .0002
2 PLACES ± .001	± .0001
1 PLACE ± .0005	± .00005
0 PLACE ±	±
ANGULAR ± 2 °	
DRAFT WHERE APPLICABLE MUST REMAIN WITHIN DIMENSIONS	

DIMENSION STYLE	
MM/IN	DATE
DRAWN BY	TEF
CHECKED BY	SSS
APPROVED BY	GMH
MATERIAL NO.	
SEE TABLE	

SCALE	DESIGN UNITS	THIRD ANGLE PROJECTION
5:1	METRIC	
QMA JACK, RG316		
50 OHMS, EWR-2192		
QMA-JC		
molex		
DOCUMENT NO.	SHEET NO.	
SD-73254-010	1 OF 1	
THIS DRAWING CONTAINS INFORMATION THAT IS PROPRIETARY TO MOLEX INCORPORATED AND SHOULD NOT BE USED WITHOUT WRITTEN PERMISSION		

MATERIALS AND FINISHES

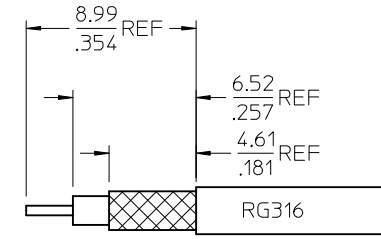
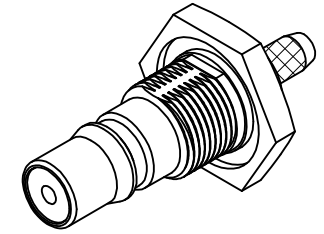
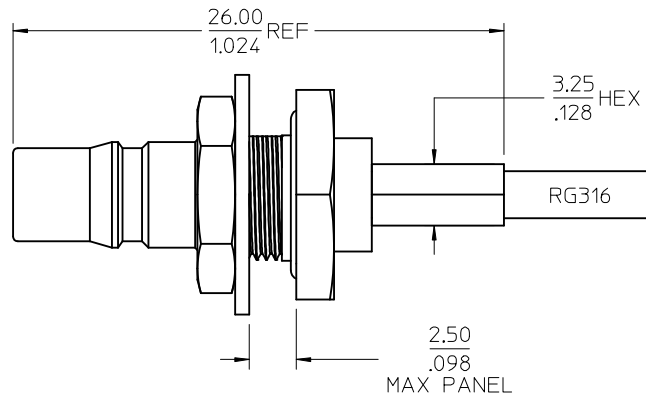
BODY: BRASS
PLATED TRI-METAL

CENTER CONTACT BERYLLIUM COPPER
PLATED GOLD

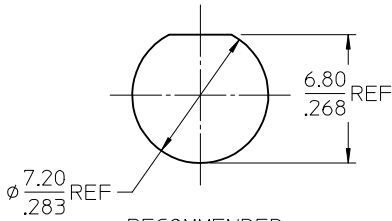
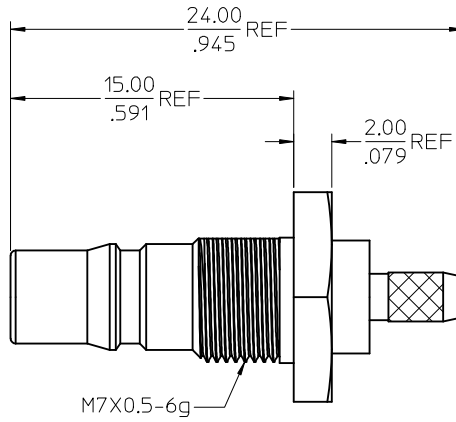
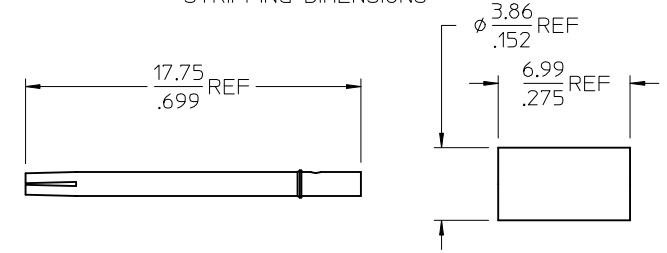
INSULATOR TEFLON

CRIMP TUBE, JAM NUT: BRASS
PLATED NICKEL

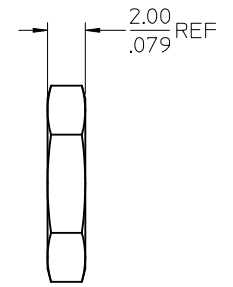
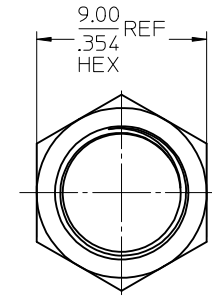
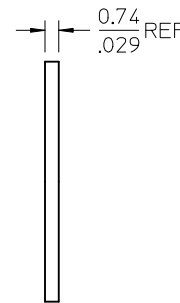
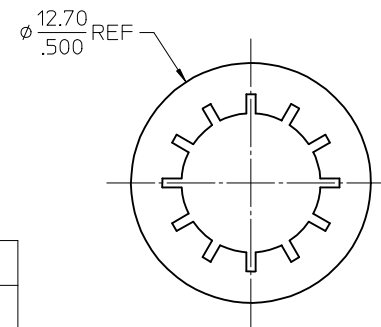
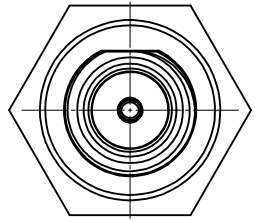
LOCKWASHER: PHOSPHER BRONZE
PLATED TRI-METAL



STRIPPING DIMENSIONS



RECOMMENDED
PANEL CUTOUT



73254-0101	ONE PIECE 73254-0100 PER BAG
73254-0100	TRAY
PART NO.	DESCRIPTION

CHG:	UPDATE PACKAGING	2015/05/25	QUALITY SYMBOLS	GENERAL TOLERANCES (UNLESS SPECIFIED)	DIMENSION STYLE	SCALE	DESIGN UNITS	THIRD ANGLE PROJECTION
	FOR 73254-0100			MM/IN	5:1	METRIC	QMA JACK, RG316	
PER	RF15-E213	2015/05/25	DESCRIPTION	4 PLACES ± --- ± ---	DRAWN BY	DATE	TITLE	QMA-JC
	EC NO: URF2015-0659			TEF	2003/10/07	50 OHMS, EWR-2192		
CHKD:	DRW:RYEH	2015/05/25	APPR: YCHENG	3 PLACES ± --- ± ---	CHECKED BY	DATE	DOCUMENT NO.	SD-73254-010
	SSS			2003/10/07	1 OF 1			
REV	B4	2015/05/25	APPR: YCHENG	2 PLACES ± --- ± ---	APPROVED BY	DATE	MATERIAL NO.	SEE TABLE
	GMH			2003/10/07	THIS DRAWING CONTAINS INFORMATION THAT IS PROPRIETARY TO MOLEX INCORPORATED AND SHOULD NOT BE USED WITHOUT WRITTEN PERMISSION			
				1 PLACE ± --- ± ---				
				0 PLACE ± ±				
				ANGULAR ± 2 °				
				DRAFT WHERE APPLICABLE MUST REMAIN WITHIN DIMENSIONS				

Mouser Electronics

Authorized Distributor

Click to View Pricing, Inventory, Delivery & Lifecycle Information:

[Molex:](#)

[73254-0101](#)