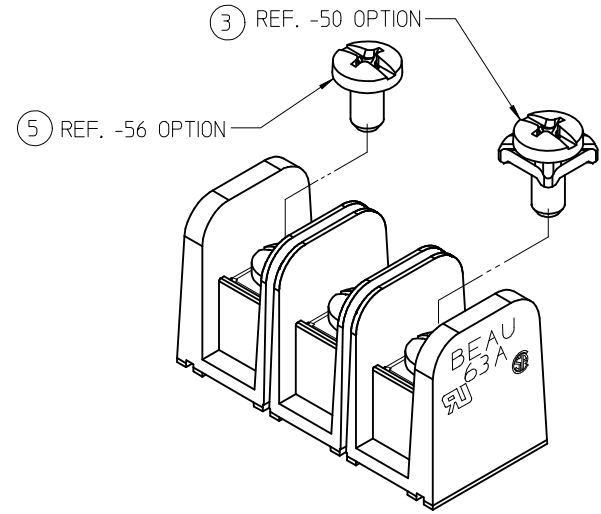
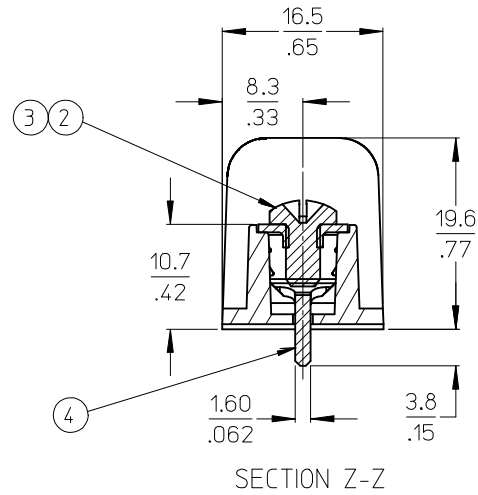
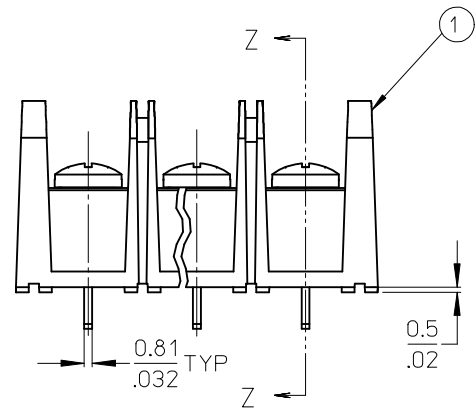


| MATERIAL NUMBER (STD.) | MATERIAL NUMBER (-56) | MATERIAL NUMBER (-50) | NO. OF CIRCUITS | A            | B              |
|------------------------|-----------------------|-----------------------|-----------------|--------------|----------------|
| 386306602              | 386390109             | 386307802             | 2               | 25.9 (1.02)  | 11.13 (.438)   |
| 386306603              | 386390110             | 386307803             | 3               | 37.1 (1.46)  | 22.22 (.875)   |
| 386306604              | 386390111             | 386307804             | 4               | 48.3 (1.90)  | 33.35 (1.313)  |
| 386306605              | 386390112             | 386307805             | 5               | 59.2 (2.33)  | 44.45 (1.750)  |
| 386306606              | 386390113             | 386307806             | 6               | 70.4 (2.77)  | 55.57 (2.188)  |
| 386306607              | 386390114             | 386307807             | 7               | 81.5 (3.21)  | 66.67 (2.625)  |
| 386306608              | 386390115             | 386307808             | 8               | 92.7 (3.65)  | 77.80 (3.063)  |
| 386306609              | 386390116             | 386307809             | 9               | 103.6 (4.08) | 88.90 (3.500)  |
| 386306610              | 386390117             | 386307810             | 10              | 114.8 (4.52) | 100.03 (3.938) |
| 386306611              | 386390118             | 386307811             | 11              | 125.9 (4.96) | 111.13 (4.375) |
| 386306612              | 386390119             | 386307812             | 12              | 137.2 (5.40) | 122.25 (4.813) |
| 386306613              | 386390120             | 386307813             | 13              | 148.1 (5.83) | 133.35 (5.250) |
| 386306614              | 386390121             | 386307814             | 14              | 159.3 (6.27) | 144.45 (5.687) |
| 386306615              | 386390122             | 386307815             | 15              | 170.4 (6.71) | 155.58 (6.125) |
| 386306616              | 386390123             | 386307816             | 16              | 181.6 (7.15) | 166.70 (6.563) |



NOTES:

- 1. MATERIAL: SEE TABLE
- 2. FINISHES: SEE TABLE
- 3. \*XX\* REFERS TO QTY. OF CIRCUITS.
- 4. ASSEMBLY IS ROHS COMPLIANT.

| ITEM | QTY. | DESCRIPTION                                     | MATERIAL        | FINISH             |
|------|------|---|-----------------|--------------------|
| 5    | XX   | SCREW #6-32X.250 BHD, PH-SL STAINLESS (-56 OPT) | STAINLESS STL   | PASSIVATE          |
| 4    | XX   | TERMINAL, PC (SHORT)                            | BRASS           | TIN PLATE          |
| 3    | XX   | SCREW/WSHR #6-32X.250 PAN, PH-SL (-50)          | STEEL           | ZN, CLEAR CHROMATE |
| 2    | XX   | SCREW #6-32X.250 BHD, PH-SL (STD)               | STEEL           | ZN, CLEAR CHROMATE |
| 1    | 1    | BARRIER TERMINAL STRIP                          | POLYESTER (PBT) | BLACK              |

CHG SS SCREW DRIVE RECESS  
 EC NO: IPG2013-0364  
 DRAWN: CLYORK 2010/08/16  
 CHKD: JMACNEIL 2012/09/12  
 APPR: JMACNEIL 2012/11/05

QUALITY SYMBOLS  
 ▽=0  
 ▽=0

GENERAL TOLERANCES (UNLESS SPECIFIED)

|          | mm     | INCH   |
|----------|--------|--------|
| 4 PLACES | ± .--- | ± .--- |
| 3 PLACES | ± .--- | ± .005 |
| 2 PLACES | ± 0.13 | ± .01  |
| 1 PLACE  | ± 0.3  | ± .--- |

ANGULAR ± 2 °

DRAFT WHERE APPLICABLE MUST REMAIN WITHIN DIMENSIONS

DIMENSION STYLE  
**MM/IN**

SCALE  
**2:1**

DESIGN UNITS  
**INCH**

THIRD ANGLE PROJECTION

DRAWN BY: R. STONE  
 DATE: 2003/03/25

CHECKED BY: R. KEMP  
 DATE: 2003/03/27

APPROVED BY: P. WALTZ  
 DATE: 2003/03/28

MATERIAL NO.  
**SEE CHART**

TITLE  
**11.13/.438" PCB BTS 600V  
 NO MTG ENDS, STD LENGTH  
 (63A5XX-C)**

**MOLEX INCORPORATED**

DOCUMENT NO.  
**SD-38630-008**

SHEET NO.  
**1 OF 1**

THIS DRAWING CONTAINS INFORMATION THAT IS PROPRIETARY TO MOLEX INCORPORATED AND SHOULD NOT BE USED WITHOUT WRITTEN PERMISSION

# Mouser Electronics

Authorized Distributor

Click to View Pricing, Inventory, Delivery & Lifecycle Information:

[Molex:](#)

[38630-7808](#)