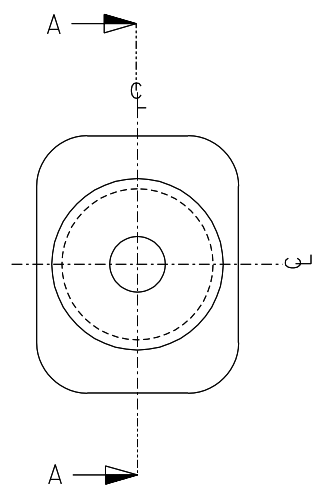
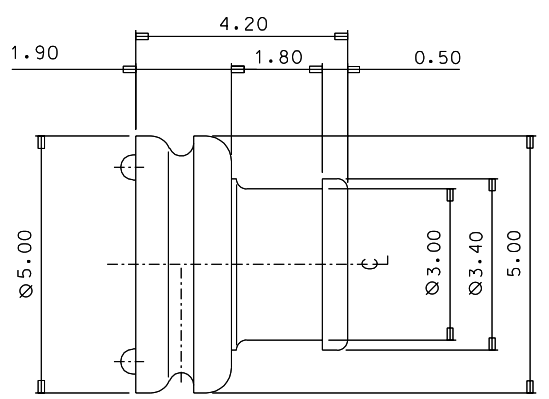
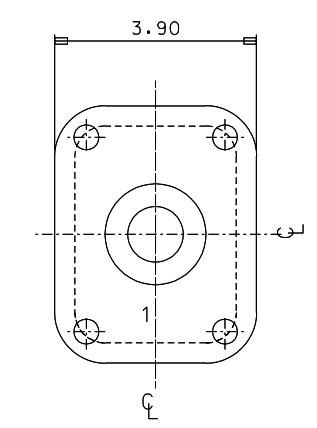
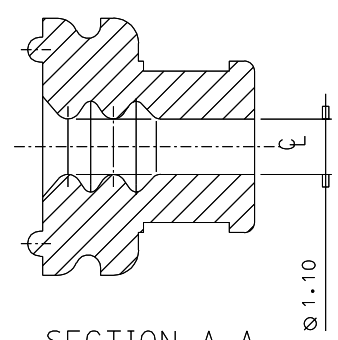


DO NOT SCALE DRAWING DIMENSION IN METRIC

PROJECT NO. SIMILAR ITEM DWG. NO. SD-35903-063



APPLICATION	AVS 0.3
WIRE (mm ²)	AVSS 0.3 - 0.5
	CAVS 0.3 - 0.5



SECTION A-A

NOTE
 1. MATERIAL: INTERNALLY LUBRICATED SILICONE.
 2. COLOR: BLACK

359030114	35903-0114
MATERIAL NO.	ENG. NO.

REVISED	EC NO. KOR2004-0041
	DRWN: S.M.KIM 03/09/08
	CHK: B.C.YOON 03/09/08
	APPR: C.W.LEE
B	REV

QUALITY SYMBOLS	MAJOR	CRITICAL
	▲	△

GENERAL TOLERANCES: (UNLESS SPECIFIED)	
mm	INCH
4 PLACES	±.
3 PLACES	±.
2 PLACES	±0.3
1 PLACE	±.
ANGULAR: ± °	
DRAFT WHERE APPLICABLE MUST REMAIN WITHIN DIMENSIONS	

SCALE	DESIGN UNITS
10:1	<input checked="" type="checkbox"/> mm <input type="checkbox"/> INCH
DRAWN BY & DATE	
'01.10.22 H.C.RHO	
CHECKED BY & DATE	
'01.10.22 B.K.CHOI	
APPROVED BY & DATE	
'01.10.22 C.W.LEE	
CAD FILENAME	S060WS

DIMENSIONS:		SHT	REV
<input type="checkbox"/> mm <input type="checkbox"/> INCH	<input checked="" type="checkbox"/> mm <input type="checkbox"/> INCH ONLY		
THIRD ANGLE PROJECTION		REVISE ON CAD ONLY	
TITLE:		.060 WIRE SEAL(MIRROR)	
MOLEX INCORPORATED			
MATERIAL NO.	DRAWING NO.	SHEET NO.	
SEE NOTE	SD-35903-063	1 OF 1	
THIS DRAWING CONTAINS INFORMATION THAT IS PROPRIETARY TO MOLEX INCORPORATED AND SHOULD NOT BE USED WITHOUT WRITTEN PERMISSION.			SIZE B

Mouser Electronics

Authorized Distributor

Click to View Pricing, Inventory, Delivery & Lifecycle Information:

[Molex:](#)

[35903-0114](#)