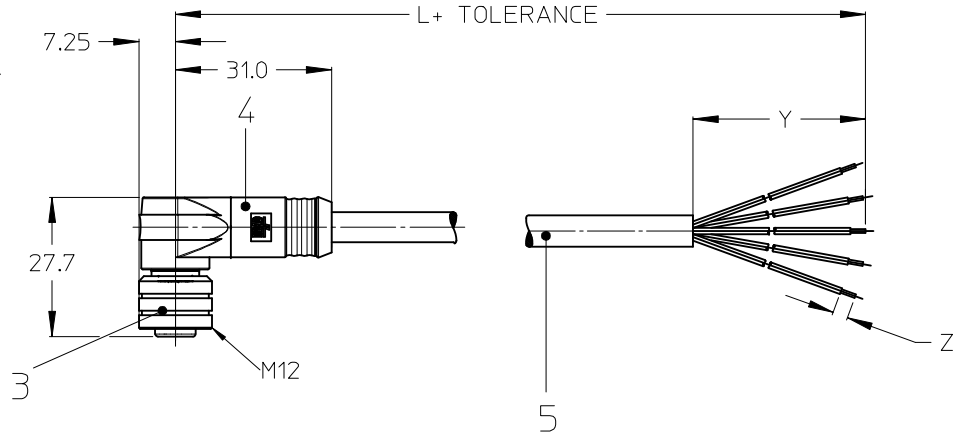
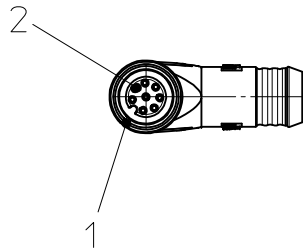


# RIGHTANGLE PLUG M12 FEMALE



**NOTES:**

TEMPERATURE RANGE SEE TABLE ON PAGE 2

CONTACT CURRENT RATING 3-5 POLES 4A  
8 POLES 2A

VOLTAGE RATING 3-4 POLES 250V  
5 POLES 60V  
8 POLES 30V

PROTECTION CLASS IP 67

**TOLERANCES**

≤ 1m +20/-10mm  
1m - 5m ± 25mm  
5m - 10m ± 30mm  
> 10m ± 30mm  
> 20m ± 50mm

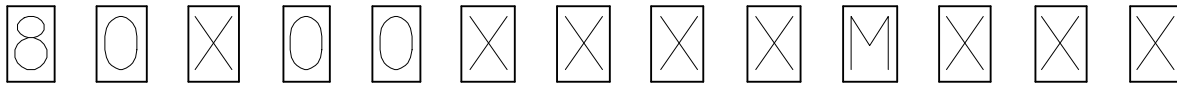
	3 POL	4 POL	5 POL	8 POL	REMARKS
Y	30 +/-2	50 +/-2	50 +/-2	80 +/-3	OPEN END FOR TESTING
Z	3-6	3-6	3-6	3-6	NOT DEFINED

3 WIRE	4 WIRE	5 WIRE	8 WIRE
PIN # WIRE	PIN # WIRE	PIN # WIRE	PIN # WIRE
1 BROWN 2 - 3 BLUE 4 BLACK 5 -	1 BROWN 2 WHITE 3 BLUE 4 BLACK 5 -	1 BROWN 2 WHITE 3 BLUE 4 BLACK 5 GREY	1 WHITE 2 BROWN 3 GREEN 4 YELLOW 5 GREY 6 PINK 7 BLUE 8 RED
REQUIRED TO IEC 60947-5-2		REQUIRED TO DIN 47100	

5	CABLE	SEE TABLE (PAGE 2)	---
4	OVERMOULDING	TPU	SEE CODE (PAGE 2)
3	MALE COUPLING NUT	BRASS	SEE CODE (PAGE 2)
2	PIN CONTACT	BRASS	GOLD PLATED
1	INSERT	PUR	BLACK
ITEM	PART	MATERIAL	FINISH

<b>ENTER DESCRIPTION</b> EC NO: IPG2014-0812 DRWN:PMERUNKA 2013/08/09 CHKD:APOHL 2013/11/04 APPR:APOHL 2013/11/18 2	<b>QUALITY SYMBOLS</b> 	<b>GENERAL TOLERANCES (UNLESS SPECIFIED)</b>	<b>DIMENSION STYLE</b> MM ONLY	<b>SCALE</b> 1:1	<b>DESIGN UNITS</b> METRIC	THIRD ANGLE PROJECTION
		4 PLACES ± --- ± --- 3 PLACES ± --- ± --- 2 PLACES ± 0.05 ± --- 1 PLACE ± 0.10 ± --- 0 PLACE ± --- ± ---	DRAWN BY: PMERUNKA DATE: 2012/04/24 CHECKED BY: RSILLER DATE: 2013/01/18 APPROVED BY: CBURGER DATE: 2013/07/16	TITLE CSE M12 XP AC FE RA XM SE UNSH		
DRAFT WHERE APPLICABLE MUST REMAIN WITHIN DIMENSIONS		MATERIAL NO. SEE TABLE		DOCUMENT NO. SD-120065-052		SHEET NO. 1 OF 4
THIS DRAWING CONTAINS INFORMATION THAT IS PROPRIETARY TO MOLEX INCORPORATED AND SHOULD NOT BE USED WITHOUT WRITTEN PERMISSION						

**NUMERICAL CODE** (Available parts see table page 3 ff others on request.)



80 = M12x1  
single ended

poles:  
3 = 3 poles  
4 = 4 poles  
5 = 5 poles

header:  
000 = plug female straight  
001 = plug female 90° right  
006 = plug male straight  
007 = plug male 90° right

**Cable:**

- E02 = 0,25mm<sup>2</sup>, PVC black
- E03 = 0,34mm<sup>2</sup>, PVC black
- H08 = 0,25mm<sup>2</sup>, PUR black LS0H
- H09 = 0,34mm<sup>2</sup>, PUR black LS0H
- I03 = 0,34mm<sup>2</sup>, PVC grey
- K05 = 0,34mm<sup>2</sup>, TPE yellow
- P02 = 0,25mm<sup>2</sup>, PUR/PVC black
- P03 = 0,34mm<sup>2</sup>, PUR/PVC black
- P82 = 0,34mm<sup>2</sup>, PUR black irradiated
- B30 = 0,34mm<sup>2</sup>, TPE black

M = meter

length:  
Example  
020 = 2 m

**Special Types:**


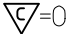

- 5 = Delrin
- H = Sid with ID tag
- 1 = Stainless Steel
- 7 = Teflon coat

y = yellow overmoulding  
empty for black

CABLE TYPE	WIRE GAUGE	CABLE JACKET	UL	CSA	static	flexing	drag chain tested	other
E02	0.25mm <sup>2</sup>	PVC black	STYLE 2464	I/II A/B 80°/300V	-30°C to +80°C 5xD	-5°C to +80°C 9xD	---	---
E03	0.34mm <sup>2</sup>	PVC black	STYLE 2464	I/II A/B 80°/300V	-30°C to +80°C 5xD	-5°C to +80°C 9xD	---	---
H08	0.25mm <sup>2</sup>	PUR black LS0H	AWM STYLE 21198/10493	APPROVED	-50°C to +80°C 5xD	-25°C to +80°C 10xD	2000000 cycles	---
H09	0.34mm <sup>2</sup>	PUR black LS0H	AWM STYLE 21198/10493	APPROVED	-50°C to +80°C 5xD	-25°C to +80°C 10xD	drag chain 60°C	---
I03	0.34mm <sup>2</sup>	PVC grey	---	---	-30°C to +70°C	-5°C to +70°C	---	---
K05	0.34mm <sup>2</sup>	TPE yellow	ITC E195601 or PLTC	AWM I/II A/B FT4 LL54185	---	---	---	CSA-US:ITC LL54185-02
P02	0.25mm <sup>2</sup>	PUR/PVC black	not applicable	not applicable	-30°C to +80°C 7xD	-5°C to +80°C 15xD	---	---
P03	0.34mm <sup>2</sup>	PUR/PVC black	not applicable	not applicable	-30°C to +80°C 7xD	-5°C to +80°C 15xD	---	---
P82	0.34mm <sup>2</sup>	irrad. PUR orange	---	---	-50°C to +105°C 5xD	-40°C to +105°C 7.5xD	---	---
B30	0.34mm <sup>2</sup>	PUR black	STYLE 21215	yes	-40°C to +90°C 5xD	-25°C to +80°C 7.5xD	---	---

ENTER DESCRIPTION EC NO: IPG2014-0812 DRWN:PMERUNKA 2013/08/09 CHKD:APOHL 2013/11/04 APPR:APOHL 2013/11/18 2	DESCRIPTION REV	QUALITY SYMBOLS ▽=0 ◻=0	GENERAL TOLERANCES (UNLESS SPECIFIED) mm INCH 4 PLACES ± --- ± --- 3 PLACES ± --- ± --- 2 PLACES ± 0.05 ± --- 1 PLACE ± 0.10 ± --- 0 PLACE ± --- ± --- ANGULAR ± .5 ° DRAFT WHERE APPLICABLE MUST REMAIN WITHIN DIMENSIONS	DIMENSION STYLE MM ONLY DRAWN BY: PMERUNKA DATE: 2012/04/24 CHECKED BY: RSILLER DATE: 2013/01/18 APPROVED BY: CBURGER DATE: 2013/07/16	SCALE 1:1 DESIGN UNITS METRIC THIRD ANGLE PROJECTION	TITLE CSE M12 XP AC FE RA XM SE UNSH	
		MATERIAL NO. SEE TABLE			DOCUMENT NO. SD-120065-052		SHEET NO. 2 OF 4
		THIS DRAWING CONTAINS INFORMATION THAT IS PROPRIETARY TO MOLEX INCORPORATED AND SHOULD NOT BE USED WITHOUT WRITTEN PERMISSION					
		molex					

P/N	Engineering-No	P/N	Engineering-No	P/N	Engineering-No	P/N	Engineering-No	P/N	Engineering-No
1200062292	803001E03M003	1200658719	803001H09M100	1200658668	804001H09M010	1200062148	804001I20M160	1200010075	804001P03M020W
1200658046	803001E03M006	1200060202	803001I03M020	1200658669	804001H09M015	1200651622	804001K03M010	1200010777	804001P03M020X
1200658047	803001E03M0061	1200062851	803001I03M025	1200658513	804001H09M020	1200651623	804001K03M020	1200060510	804001P03M030
1200060175	803001E03M010	1200060204	803001I03M030	1200658670	804001H09M030	1200650907	804001K03M0208	1200658625	804001P03M030G
1200061542	803001E03M011	1200658052	803001I03M036	1200658671	804001H09M040	1200651625	804001K03M030	1200010076	804001P03M030W
1200060007	803001E03M020	1200658594	803001I03M040	1200658193	804001H09M050	1200651626	804001K03M040	1200652147	804001P03M040
1200061541	803001E03M022	1200060010	803001I03M050	1200064433	804001H09M050G	1200651863	804001K03M0402	1200658631	804001P03M040G
1200060178	803001E03M030	1200064210	803001I03M051	1200658010	804001H09M050H	1200650908	804001K03M0408	1200060025	804001P03M050
1200061540	803001E03M033	1200060205	803001I03M100	1200658194	804001H09M100	1200651628	804001K03M050	1200651784	804001P03M050A
1200658564	803001E03M040	1200658287	803001I20M100	1200064436	804001H09M100G	1200651630	804001K03M0502	1200651785	804001P03M050G
1200658048	803001E03M0401	1200651489	803001K05M020	1200658011	804001H09M100H	1200650909	804001K03M0508	1200651786	804001P03M050G0
1200060008	803001E03M050	1200651490	803001K05M040	1200658195	804001H09M150	1200651631	804001K03M060	1200658992	804001P03M050H
1200658234	803001E03M0501	1200651491	803001K05M050	1200658185	804001H09M150G	1200651632	804001K03M0602	1200010077	804001P03M050W
1200658268	803001E03M0505	1200651492	803001K05M060	1200658196	804001H09M200	1200651633	804001K03M080	1200658206	804001P03M060
1200658886	803001E03M050H	1200651493	803001K05M100	1200658485	804001H69M010	1200651634	804001K03M100	1200010078	804001P03M070W
1200061538	803001E03M051	1200651494	803001K05M120	1200062093	804001H69M100	1200651635	804001K03M150	1200651787	804001P03M100
1200061553	803001E03M058	1200658403	803001P03M003	1200061935	804001I03M010	1200652059	804001K03M200	1200064391	804001P03M1001
1200061552	803001E03M066	1200658707	803001P03M006	1200658707	804001I03M010G	1200651638	804001K05M010	1200062313	804001P03M100H
1200060009	803001E03M100	1200061318	803001P03M010	1200060503	804001I03M020	1200651639	804001K05M020	1200010079	804001P03M100W
1200658269	803001E03M1005	1200060011	803001P03M020	1200658708	804001I03M020G	1200651640	804001K05M030	1200064350	804001P03M120
1200658885	803001E03M100H	1200010769	803001P03M020X	1200060505	804001I03M030	1200651641	804001K05M040	1200063793	804001P03M140
1200060184	803001E03M150	1200062027	803001P03M022	1200658709	804001I03M030G	1200651642	804001K05M050	1200060516	804001P03M150
1200060187	803001E03M200	1200063340	803001P03M025	1200064244	804001I03M040	1200651643	804001K05M060	1200010080	804001P03M150W
1200658713	803001H09M010	1200060212	803001P03M030	1200658710	804001I03M040G	1200651644	804001K05M100	1200060517	804001P03M200
1200658714	803001H09M015	1200065013	803001P03M030G	1200060042	804001I03M050	1200652139	804001K05M150	1200064289	804001P03M400
1200658715	803001H09M020	1200658611	803001P03M040	1200062575	804001I03M0501	1200651995	804001K05M250	1200658324	804001P20M030
1200658716	803001H09M030	1200060012	803001P03M050	1200063532	804001I03M0505	1200063405	804001P03M003	1200062922	804001P20M050
1200658717	803001H09M040	1200658976	803001P03M0505	1200658711	804001I03M050G	1200010071	804001P03M003W	1200062919	804001P20M100
1200658718	803001H09M050	1200651773	803001P03M050G	1200060507	804001I03M100	1200010072	804001P03M006W	1200064184	804001P20M250
1200698320	804S01P20M050Y	1200060013	803001P03M100	1200658712	804001I03M100G	1200061986	804001P03M010	1200071330	804001P82M0207
1200659117	805001I26M100Y	1200060216	803001P03M150	1200060508	804001I03M150	1200658624	804001P03M010G	1200062155	804001P82M030
1200659083	805001E03M100Y	1200658311	803001P03M200	1200063563	804001I04M030G	1200010073	804001P03M010W	1200062520	804001P82M050
1200659084	805001I26M050Y	1200658312	803001P03M300	1200062112	804001I20M003	1200010074	804001P03M015W	1200060043	804001P82M0507
1200659101	808001H08M050Y	1200658547	803001P20M150	1200658276	804001I20M100	1200060024	804001P03M020	1200062615	804001P82M100
1200659105	808001H08M100Y	1200063682	803001P82M020	1200062161	804001P82M1007	1200651783	804001P03M020G		

<b>ENTER DESCRIPTION</b> EC NO: IPG2014-0812 DRWN: PMERUNKA 2013/08/09 CHKD: APOHL 2013/11/04 APPR: APOHL 2013/11/18 REV DESCRIPTION	QUALITY SYMBOLS	GENERAL TOLERANCES (UNLESS SPECIFIED)		DIMENSION STYLE	SCALE	DESIGN UNITS	THIRD ANGLE PROJECTION		
	 = 0  = 0	mm	INCH	MM ONLY	1:1	METRIC	TITLE <b>CSE M12 XP AC FE RA XM SE UNSH</b>		
	4 PLACES ± --- ± ---			DRAWN BY	DATE	 DOCUMENT NO. SD-120065-052 SHEET NO. 3 OF 4			
	3 PLACES ± --- ± ---			CHECKED BY	DATE				
	2 PLACES ± 0.05 ± ---			RSILLER	2013/01/18				
1 PLACE ± 0.10 ± ---			APPROVED BY	DATE					
0 PLACE ± --- ± ---			CBURGER	2013/07/16					
ANGULAR ± .5 °		DRAFT WHERE APPLICABLE MUST REMAIN WITHIN DIMENSIONS		MATERIAL NO.	SEE TABLE				
				SIZE	THIS DRAWING CONTAINS INFORMATION THAT IS PROPRIETARY TO MOLEX INCORPORATED AND SHOULD NOT BE USED WITHOUT WRITTEN PERMISSION				

P/N	Engineering-No
1200658006	804001P82M1507
1200658007	804001P82M2007
1200658573	805001E03M010
1200060652	805001E03M020
1200658574	805001E03M030
1200658575	805001E03M040
1200060654	805001E03M050
1200060655	805001E03M0501
1200060657	805001E03M100
1200658359	805001E03M150
1200658664	805001H09M010
1200658665	805001H09M015
1200658296	805001H09M020
1200658666	805001H09M030
1200658667	805001H09M040
1200658297	805001H09M050
1200658298	805001H09M100
1200658471	805001I03M010
1200658326	805001I03M015
1200658607	805001I03M030
1200658608	805001I03M040
1200061563	805001I03M050
1200063825	805001I03M050G
1200062334	805001I03M100
1200061850	805001I26M050
1200063564	805001I26M100
1200658548	805001I26M250
1200651720	805001K03M020
1200651721	805001K03M040
1200651722	805001K03M050
1200651723	805001K03M060
1200652155	805001K03M100
1200658617	805001P03M010
1200060663	805001P03M020
1200658627	805001P03M030

P/N	Engineering-No
1200658184	805001P03M040
1200651793	805001P03M050
1200658988	805001P03M050H
1200652156	805001P03M060
1200060664	805001P03M100
1200658989	805001P03M100H
1200061760	805001P03M150
1200658314	805001P03M200
1200062872	805001P12M0075
1200658089	805001P12M020
1200658933	805001P12M050
1200658934	805001P12M100
1200063165	805001P20M050
1200064095	805001P20M100
1200655071	805001P82M020
1200063386	805001P82M050
1200062764	805001P82M100
1200658585	808001E02M010
1200658586	808001E02M020
1200658587	808001E02M030
1200658588	808001E02M040
1200658261	808001E02M050
1200658310	808001E02M0501
1200658589	808001E02M100
1200658931	808001E02M150
1200658932	808001E02M250
1200651797	808001E52M020
1200651798	808001E52M050A
1200062838	808001E52M100
1200651799	808001E52M200A
1200658647	808001H08M010
1200658648	808001H08M015
1200658649	808001H08M020
1200658650	808001H08M030
1200658651	808001H08M040

P/N	Engineering-No
1200658245	808001H08M050
1200658652	808001H08M100
1200658683	808001I02M010
1200658684	808001I02M020
1200658685	808001I02M030
1200658686	808001I02M040
1200658687	808001I02M050
1200658688	808001I02M100
1200658619	808001P02M010
1200650960	808001P02M020
1200658620	808001P02M030
1200650961	808001P02M040
1200650962	808001P02M050
1200063754	808001P02M0501A
1200650963	808001P02M100
1200658483	808001P02M150
1200658106	808001P19M030
1200655008	808001P19M050
1200658328	808001P19M100
1200658544	808001P19M250
1200659118	803001I03M050Y
1200659120	803001I03M030Y
1200659121	803001I03M100Y
1200659056	803001E03M050Y
1200659057	803001E03M100Y
1200659074	803001E03M150Y
1200659124	804001H09M100HY
1200659061	804001E03M020Y
1200659062	804001E03M050Y
1200659063	804001E03M100Y
1200659068	804001I03M050Y
1200659069	804001P82M0507Y
1200659077	804001E03M150Y
1200659078	804001I03M100Y
1200659079	804001S20M050Y

P/N	Engineering-No
1200659086	804001P82M1007Y
1200668648	804001P82M0207Y
1200659091	804001S20M100Y
1200659093	804001A09M050Y
1200659094	804001A09M100Y
1200659095	804001H09M050HY
1200659098	804001S20M200Y
1200659099	804001H09M050Y
1200659108	804001P03M050HY
1200652259	803001B30M010
1200652260	803001B30M020
1200652261	803001B30M050
1200652262	803001B30M100
1200652263	804001B30M010
1200652264	804001B30M020
1200652265	804001B30M050
1200652266	804001B30M100
1200652267	805001B30M010
1200652268	805001B30M020
1200652269	805001B30M050
1200652270	805001B30M100

<b>ENTER DESCRIPTION</b> EC NO: IPG2014-0812 DRWN:PMERUNKA 2013/08/09 CHKD:APOHL 2013/11/04 APPR:APOHL 2013/11/18 2	QUALITY SYMBOLS ▽=0 ◻=0	GENERAL TOLERANCES (UNLESS SPECIFIED)		DIMENSION STYLE <b>MM ONLY</b>		SCALE <b>1:1</b>	DESIGN UNITS <b>METRIC</b>	THIRD ANGLE PROJECTION		
		mm      INCH		DRAWN BY PMERUNKA	DATE 2012/04/24	TITLE <b>CSE M12 XP AC FE RA XM SE UNSH</b>				
		4 PLACES ± --- ± --- 3 PLACES ± --- ± --- 2 PLACES ± 0.05 ± --- 1 PLACE ± 0.10 ± --- 0 PLACE ± --- ± ---		CHECKED BY RSILLER	DATE 2013/01/18					
		ANGULAR ± .5 °		APPROVED BY CBURGER	DATE 2013/07/16	MATERIAL NO.      DOCUMENT NO.      SHEET NO. <b>SEE TABLE</b> <b>SD-120065-052</b> <b>4 OF 4</b>				
DRAFT WHERE APPLICABLE MUST REMAIN WITHIN DIMENSIONS		SIZE <b>A3</b>		THIS DRAWING CONTAINS INFORMATION THAT IS PROPRIETARY TO MOLEX INCORPORATED AND SHOULD NOT BE USED WITHOUT WRITTEN PERMISSION						

# Mouser Electronics

Authorized Distributor

Click to View Pricing, Inventory, Delivery & Lifecycle Information:

[Molex:](#)

[1200651638](#) [1200651622](#) [1200651625](#) [1200651626](#) [1200651628](#) [1200651630](#) [1200651631](#) [1200651632](#)  
[1200651633](#) [1200651634](#) [1200651635](#) [1200651639](#) [1200651640](#)