

PLEASE CHECK WWW.MOLEX.COM FOR LATEST PART INFORMATION

Part Number: **0781560001**
Status: **Active**
Overview: DDR3 DIMM Sockets
Description: 1.00mm Pitch DDR3 DIMM Socket, Vertical, Surface Mount, with Beveled Metal Pins, Black Housing and Latches, 0.76µm Gold (Au) Plating, 3.94mm Beveled Metal Pin Length, 1.57mm PCB Thickness, 240 Circuits, Lead-Free

Documents:

3D Model	Application Specification AS-78156-001-001 (PDF)
3D Model (PDF)	Packaging Specification PK-78156-001-001 (PDF)
Drawing (PDF)	RoHS Certificate of Compliance (PDF)
Product Specification PS-78156-001-001 (PDF)	

Agency Certification

CSA	LR19980
UL	E29179

General

Product Family	Memory Module Sockets
Series	<u>78156</u>
Component Type	Socket
JEDEC Outline	MO-269
Overview	<u>DDR3 DIMM Sockets</u>
Product Name	DDR3 DIMM
UPC	800756674803

Physical

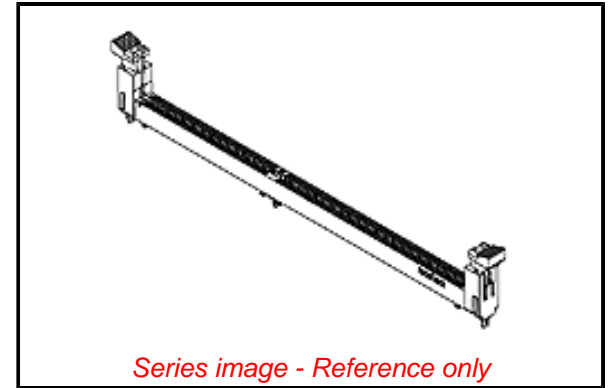
Circuits (Loaded)	240
Circuits (maximum)	240
Durability (mating cycles max)	25
Entry Angle	Vertical
Flammability	94V-0
Housing Color	Black
Keying to Mating Part	Yes
Latch Color	Black
Material - Metal	Copper Alloy
Material - Plating Mating	Gold
Material - Plating Termination	Tin
Material - Resin	High Temperature Thermoplastic
Net Weight	8.847/g
PCB Locator	Yes
PCB Retention	Yes
PCB Thickness - Recommended	1.57mm
Packaging Type	Tray
Pitch - Mating Interface	1.00mm
Pitch - Termination Interface	1.00mm
Plating min - Mating	0.762µm
Plating min - Termination	2.540µm
Temperature Range - Operating	-55° to +85°C
Termination Interface: Style	Surface Mount

Electrical

Current - Maximum per Contact	1.0A
Voltage - Maximum	30V AC (RMS)/DC
Voltage Key	Center

Solder Process Data

Duration at Max. Process Temperature (seconds)	040
--	-----



EU ELV

Not Relevant

EU RoHS

Compliant

REACH SVHC

Not Contained Per -
D(2021)4569-DC (8
July 2021)

Halogen-Free

Status

Low-Halogen

For more information, please visit [Contact US](#)

China ROHS

ELV

RoHS Phthalates

China RoHS

Green Image

Not Relevant

Not Contained

Search Parts in this Series

78156 Series

Mates With

JEDEC Standard 1.27mm Modules

Lead-freeProcess Capability
Max. Cycles at Max. Process Temperature
Process Temperature max. C

REFLOW
002
260

Material Info

Reference - Drawing Numbers

Application Specification	AS-78156-001-001
Electrical Model Document	EE-78156-004-001, EE-78156-005-001
Packaging Specification	PK-78156-001-001
Product Specification	PS-78156-001-001
S-Parameter Model	SP-78156-004-001, SP-78156-005-001
Sales Drawing	SD-78156-001-001

This document was generated on 09/20/2021

PLEASE CHECK WWW.MOLEX.COM FOR LATEST PART INFORMATION

Mouser Electronics

Authorized Distributor

Click to View Pricing, Inventory, Delivery & Lifecycle Information:

[Molex:](#)

[78156-0001](#)