

PLEASE CHECK WWW.MOLEX.COM FOR LATEST PART INFORMATION

Part Number: **0747370010**
Status: **Active**
Overview: SFP+ and SFP Interconnect Solutions
Description: SFP One Piece Cage, EMI Shielding, 3.38mm Solder Post Tails

Documents:

3D Model	Product Specification PS-74737-0010-005 (PDF)
Drawing (PDF)	Product Specification PS-74737-8001-001 (PDF)
3D Model (PDF)	Application Specification AS-74737-001-001 (PDF)
Product Specification PS-74737-0010-001 (PDF)	RoHS Certificate of Compliance (PDF)

General

Product Family	EMI Cages
Series	74737
Application	Module-to-Board
Component Type	Cage Assembly
Overview	SFP+ and SFP Interconnect Solutions
Product Name	SFP
UPC	822350185820

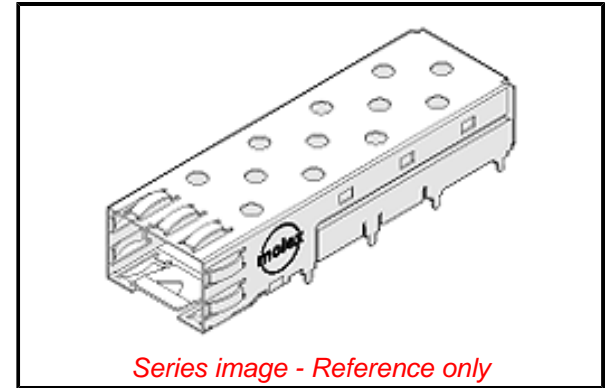
Physical

EMI Panel / Bezel Mount	Spring Fingers
Light Pipes per Port	0
Material - Metal	Copper Alloy
Net Weight	4.310/g
Orientation	Horizontal
Packaging Type	Tray
Port Configuration	1x1
Rear Legs	0
Termination Interface: Style	Through Hole
Thermal Height	N/A
Thermal Solutions	Closed Top

Material Info

Reference - Drawing Numbers

Application Specification	AS-74737-001-001
Product Specification	PS-74737-0010-001 , PS-74737-0010-005 , PS-74737-8001-001
Sales Drawing	SD-74737-010-001



EU ELV

Compliant

EU RoHS

Compliant

REACH SVHC

Not Contained Per -
D(2021)4569-DC (8
July 2021)

Halogen-Free

Status

Low-Halogen

For more information, please visit [Contact US](#)

China ROHS

ELV

RoHS Phthalates

China RoHS

Green Image

Compliant

Not Contained

Search Parts in this Series

[74737](#) Series

Mates With

[74720](#) SFP Copper Module, [73929](#) SFP
Cable Assembly, Passive, 2 Gbps, [73930](#)
SFP Cable Assembly, Active, 2 Gbps, [74742](#)
SFP Cable Assembly, Passive, 4 Gbps,
[74743](#) SFP Cable Assembly, Active, 4 Gbps

Use With

[74441](#) Connector

Mouser Electronics

Authorized Distributor

Click to View Pricing, Inventory, Delivery & Lifecycle Information:

[Molex:](#)

[74737-0010](#)