

PLEASE CHECK WWW.MOLEX.COM FOR LATEST PART INFORMATION

Part Number: [0712643000](#)
Status: **Active**
Description: 1.27mm Pitch MUSIC SSA/1394 Receptacle, 4-Bay Through-Hole, Vertical

Documents:

[3D Model](#) [Packaging Specification PK-71264-0000-001 \(PDF\)](#)
[3D Model \(PDF\)](#) [RoHS Certificate of Compliance \(PDF\)](#)
[Drawing \(PDF\)](#)

Agency Certification

CSA LR19980
 UL E29179

General

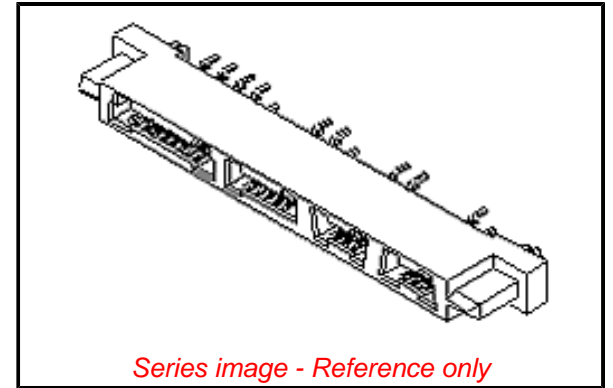
Product Family I/O Connectors
 Series [71264](#)
 Application Board-to-Board
 Component Type Receptacle
 Product Name IEEE 1394
 Type N/A
 UPC 800753553965

Physical

Boot Color N/A
 Circuits (Loaded) 38
 Circuits (maximum) 38
 Flammability 94V-0
 Gender Receptacle
 Keying to Mating Part Yes
 Lock to Mating Part None
 Material - Metal Phosphor Bronze
 Material - Plating Mating Gold
 Material - Plating Termination Tin
 Net Weight 0.722/g
 Number of Rows 2
 Orientation Vertical
 PC Tail Length 2.79mm
 PCB Locator Yes
 PCB Retention Yes
 PCB Thickness - Recommended 1.60mm
 Packaging Type Tray
 Panel Mount No
 Pitch - Mating Interface 1.27mm
 Pitch - Termination Interface 1.27mm
 Plating min - Mating 0.762µm
 Plating min - Termination 0.254µm
 Polarized to Mating Part Yes
 Polarized to PCB Yes
 Ports 4
 Surface Mount Compatible (SMC) No
 Termination Interface: Style Through Hole
 Waterproof / Dustproof No
 Wire Size AWG N/A

Electrical

Current - Maximum per Contact N/A
 Grounding to Panel Press-Fit



EU ELV

Not Relevant

EU RoHS

Compliant

REACH SVHC

Not Contained Per -
 D(2021)4569-DC (8
 July 2021)

Halogen-Free

Status

Low-Halogen

For more information, please visit [Contact US](#)

China ROHS

ELV

RoHS Phthalates

China RoHS

Green Image

Not Relevant

Not Contained

Search Parts in this Series

[71264 Series](#)

Mates With

[71265](#)

Shielded

No

Solder Process Data

Lead-free Process Capability
Process Temperature max. C

SMC&WAVE
235

Material Info

Reference - Drawing Numbers

Packaging Specification
Sales Drawing

PK-71264-0000-001
SDA-71264-3XXX-001

This document was generated on 01/06/2022

PLEASE CHECK WWW.MOLEX.COM FOR LATEST PART INFORMATION

Mouser Electronics

Authorized Distributor

Click to View Pricing, Inventory, Delivery & Lifecycle Information:

[Molex:](#)

[71264-3000](#)