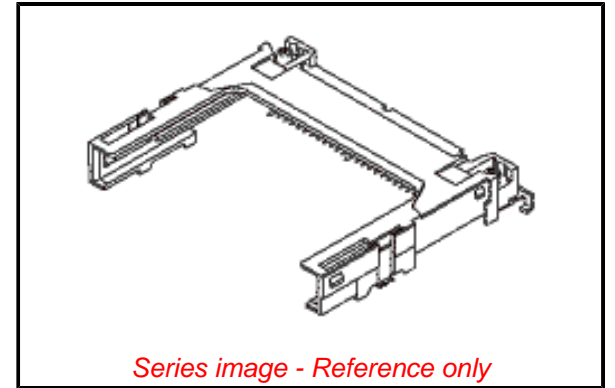


PLEASE CHECK WWW.MOLEX.COM FOR LATEST PART INFORMATION

Part Number: **0553585029**
Status: **Active**
Overview: CompactFlash™
Description: 1.27mm Pitch CF Card Header- Right-Angle, Surface Mount Top Mounting for Type I and II Cards

Documents:

| | |
|--|---|
| 3D Model | Product Specification PS-55546-005-001 (PDF) |
| Drawing (PDF) | Product Specification PS-55546-006-001 (PDF) |
| Product Specification PS-55358-012-001 (PDF) | Packaging Specification SPK-55358-001-001 (PDF) |
| Product Specification PS-55358-013-001 (PDF) | RoHS Certificate of Compliance (PDF) |



Agency Certification

UL E29179

General

| | |
|----------------|---------------------|
| Product Family | Memory Card Sockets |
| Series | 55358 |
| Overview | CompactFlash™ |
| Product Name | CompactFlash |
| Style | Guide and Holder |
| UPC | 822348180691 |

Physical

| | |
|--------------------------------|------------------|
| Card Detection Switch | N/A |
| Card Entry Location | Front |
| Circuits (Loaded) | 50 |
| Durability (mating cycles max) | 10000 |
| Ejector Button Side | N/A |
| Flammability | 94V-0 |
| Material - Contact | Copper Alloy |
| Material - Plating Mating | Gold over Nickel |
| Material - Plating Termination | Tin |
| Net Weight | 3780.078/mg |
| PCB Retention | Yes |
| Packaging Type | Tray |
| Pitch - Mating Interface | 1.27mm |
| Temperature Range - Operating | -20° to +90°C |
| Termination Interface: Style | Surface Mount |

Electrical

| | |
|-------------------------------|---------------|
| Current - Maximum per Contact | 0.5A |
| Voltage - Maximum | 100V AC (RMS) |
| Voltage Key | 3.3V, 5.0V |

Material Info

Reference - Drawing Numbers

| | |
|-------------------------|---|
| Packaging Specification | SPK-55358-001-001 |
| Product Specification | PS-55358-012-001, PS-55358-013-001, PS-55546-005-001, PS-55546-006-001 |
| Sales Drawing | SD-55358-014 |

EU ELV

Not Relevant

EU RoHS

Compliant

REACH SVHC

Not Contained Per
-ED/88/2018 (15
January 2019)

Halogen-Free

Status

Low-Halogen

For more information, please visit [Contact US](#)

China ROHS

ELV

RoHS Phthalates

China RoHS

Green Image

Not Relevant

Not Contained

Search Parts in this Series

55358 Series

Mates With

67003 , 67114 , Industry Standard CF Card

Use With

55356 Ejector, 55364 Ejector

Mouser Electronics

Authorized Distributor

Click to View Pricing, Inventory, Delivery & Lifecycle Information:

[Molex:](#)

[55358-5029](#)