

**PLEASE CHECK WWW.MOLEX.COM FOR LATEST PART INFORMATION**

**Part Number:** **0473461015**  
**Status:** **Active**  
**Overview:** USB Products and Solutions  
**Description:** Micro-USB B Receptacle without Flange, Bottom Mount, Surface Mount, Lead-Free

**Documents:**

[3D Model](#) [Packaging Specification PK-47346-002-001 \(PDF\)](#)  
[Drawing \(PDF\)](#) [RoHS Certificate of Compliance \(PDF\)](#)  
[Product Specification PS-47642-001-001 \(PDF\)](#)

**Agency Certification**

UL E107635

**General**

Product Family I/O Connectors  
Series [47346](#)  
Application Wire-to-Board  
Comments Signal contacts 1.0A, Power contacts 1.8A  
Component Type Receptacle  
Overview [USB Products and Solutions](#)  
Product Name USB 2.0  
Type Micro-B  
UPC 887191572710

**Physical**

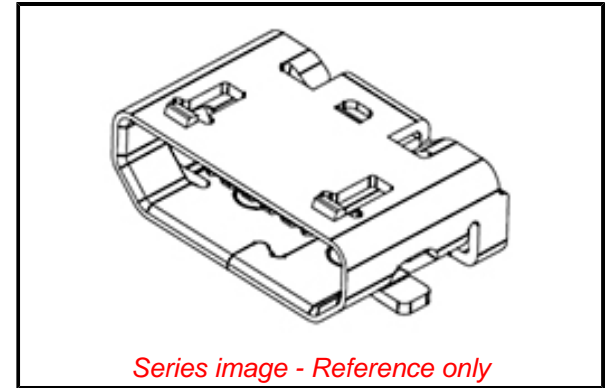
Circuits (Loaded) 5  
Color - Resin Black  
Durability (mating cycles max) 10000  
Flammability 94V-0  
Gender Receptacle  
Keying to Mating Part Yes  
Lock to Mating Part No  
Material - Metal Copper Alloy  
Material - Plating Mating Gold over Palladium Nickel  
Material - Plating Termination Gold  
Material - Resin Liquid Crystal Polymer  
Net Weight 0.263/g  
Number of Rows 1  
Orientation Right Angle  
PCB Retention None  
Packaging Type Embossed Tape on Reel  
Panel Mount No  
Pitch - Mating Interface 0.65mm  
Pitch - Termination Interface 0.65mm  
Polarized to Mating Part Yes  
Ports 1  
Surface Mount Compatible (SMC) Yes  
Temperature Range - Operating -30° to +85°C  
Termination Interface: Style Surface Mount  
Waterproof / Dustproof No

**Electrical**

Current - Maximum per Contact 1.8A, 1.0A  
Voltage - Maximum 30V AC (RMS)

**Material Info**

**Reference - Drawing Numbers**



**EU ELV**

**Not Relevant**

**EU RoHS**

**Compliant**

**REACH SVHC**

Not Contained Per  
-ED/01/2018 (15  
January 2018)

**Halogen-Free**

**Status**

**Low-Halogen**

For more information, please visit [Contact US](#)

China ROHS

ELV

RoHS Phthalates

**China RoHS**

Green Image

Not Relevant

Not Contained

**Search Parts in this Series**

[47346 Series](#)

Packaging Specification  
Product Specification  
Sales Drawing

PK-47346-002-001  
PS-47642-001-001  
SD-47346-115-000

This document was generated on 09/21/2018

**PLEASE CHECK [WWW.MOLEX.COM](http://WWW.MOLEX.COM) FOR LATEST PART INFORMATION**

# Mouser Electronics

Authorized Distributor

Click to View Pricing, Inventory, Delivery & Lifecycle Information:

[Molex:](#)

[47346-1015](#)