

PLEASE CHECK WWW.MOLEX.COM FOR LATEST PART INFORMATION

Part Number: [0473091525](#)
Status: **Active**
Overview: [microSD Memory Card Connector](#)
Description: 1.10mm Pitch microSD* Card Header with Detect Switch, Height 5.25mm, Lead-Free, Gold (Au) Plated 0.762µm

Documents:

[3D Model](#) [Packaging Specification PK-47309-525 \(PDF\)](#)
[Drawing \(PDF\)](#) [RoHS Certificate of Compliance \(PDF\)](#)

General

Product Family	Memory Card Sockets
Series	47309
Comments	Push-Pull Type
Overview	microSD Memory Card Connector
Product Name	microSD* Card, TransFlash
Style	Guide and Holder
UPC	884982246270

Physical

Card Detection Switch	Open
Card Entry Location	Front
Circuits (Loaded)	8
Circuits (maximum)	8
Color - Resin	Black
Durability (mating cycles max)	10000
Ejector Button Side	N/A
Keying to Mating Part	Yes
Material - Metal	Phosphor Bronze
Material - Plating Mating	Gold over Nickel
Material - Plating Termination	Gold
Material - Resin	High Temperature Thermoplastic
Net Weight	0.407/g
PCB Locator	No
PCB Retention	Yes
Packaging Type	Embossed Tape on Reel
Pitch - Mating Interface	1.10mm
Pitch - Termination Interface	1.10mm
Temperature Range - Operating	-40°C to +85°C
Termination Interface: Style	Surface Mount

Electrical

Current - Maximum per Contact	0.5A
Shielded	Yes
Voltage - Maximum	5V DC

Solder Process Data

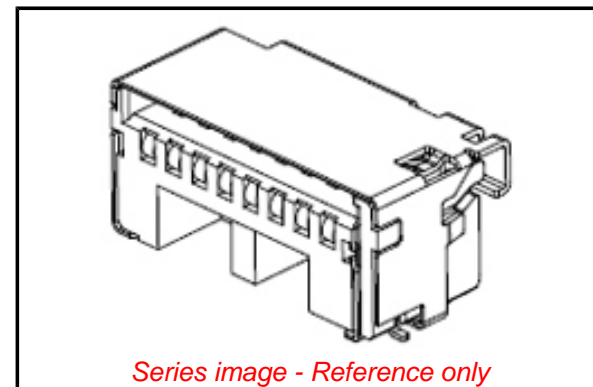
Duration at Max. Process Temperature (seconds)	003
Lead-free Process Capability	REFLOW
Max. Cycles at Max. Process Temperature	002
Process Temperature max. C	255

Material Info

Reference - Drawing Numbers

Packaging Specification	PK-47309-525
Sales Drawing	SD-47309-525

*microSD is a trademark or registered trademark of SD-3C, LLC.



Series image - Reference only

EU ELV

Not Relevant

EU RoHS

Compliant

REACH SVHC

Not Contained Per -
ED/21/2016 (20 June
2016)

Halogen-Free

Status

Low-Halogen

**Need more information on product
environmental compliance?**

Email productcompliance@molex.com
Please visit the [Contact Us](#) section for any
non-product compliance questions.

China ROHS
ELV

Green Image
Not Relevant

Search Parts in this Series

[47309 Series](#)

Mates With

Standard SIM Card

Use With

microSD Card

This document was generated on 07/25/2016

PLEASE CHECK WWW.MOLEX.COM FOR LATEST PART INFORMATION

Mouser Electronics

Authorized Distributor

Click to View Pricing, Inventory, Delivery & Lifecycle Information:

[Molex:](#)

[47309-3551](#) [47309-1525](#)