

PLEASE CHECK WWW.MOLEX.COM FOR LATEST PART INFORMATION

Part Number: [0472712016](#)
Status: **Active**
Overview: [DisplayPort* and Mini DisplayPort Interconnect System](#)
Description: DisplayPort Latch

Documents:

[3D Model](#) [RoHS Certificate of Compliance \(PDF\)](#)
[Drawing \(PDF\)](#)

General

Product Family	Accessories
Series	47271
Comments	After Cleaning
Component Type	Latch
MolexKits	Yes
Overview	DisplayPort* and Mini DisplayPort Interconnect System
Product Name	DisplayPort*
UPC	822350967648

Physical

Circuits (Loaded)	0
Circuits (maximum)	0
Gender	N/A
Lock to Mating Part	Yes
Material - Metal	Stainless Steel
Net Weight	0.259/g
Packaging Type	Reel
Polarized to Mating Part	N/A
Temperature Range - Operating	-20°C to +85°C

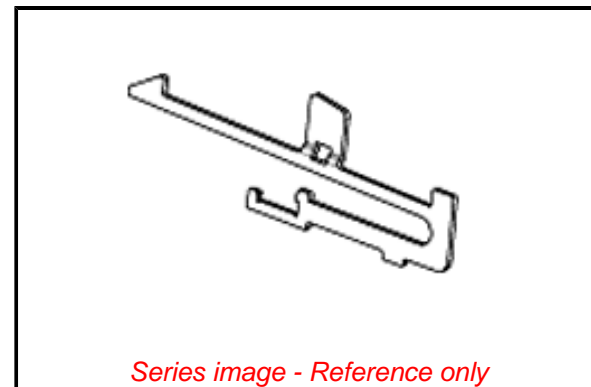
Electrical

Current - Maximum per Contact	0.5A
-------------------------------	------

Material Info

Reference - Drawing Numbers

Sales Drawing	SD-47271-006
---------------	--------------



EU ELV

Compliant

EU RoHS

Compliant

REACH SVHC

Not Contained Per -
ED/30/2017 (7 July
2017)

Halogen-Free

Status

Low-Halogen

**Need more information on product
environmental compliance?**

Email productcompliance@molex.com
Please visit the [Contact Us](#) section for any
non-product compliance questions.

China ROHS

ELV

RoHS Phthalates

Green Image

Compliant

Not Contained

Search Parts in this Series

[47271](#) Series

Mouser Electronics

Authorized Distributor

Click to View Pricing, Inventory, Delivery & Lifecycle Information:

[Molex:](#)

[47271-0004](#) [47271-0005](#) [47271-1004](#) [47271-2016](#) [47271-3008](#)