



MAX24305, MAX24310

5- or 10-Output Any-to-Any Timing ICs with Internal EEPROM

General Description

The MAX24305 and MAX24310 are flexible, high-performance timing and clock synthesizer ICs that include a DPLL and two independent APLLs. When locked to one of two input clock signals, the device performs any-to-any frequency conversion. From any input clock frequency 1Hz to 750MHz the device can produce frequency-locked APLL output frequencies up to 750MHz and as many as 10 output clock signals that are integer divisors of the APLL frequencies. Input jitter can be attenuated by an internal low-bandwidth DPLL. The DPLL also provides truly hitless switching between input clocks and a high-resolution holdover capability. Input switching can be manual or automatic. Using only a low-cost crystal or oscillator, the device can also serve as a frequency synthesizer IC. Output jitter is typically 0.18 to 0.3ps RMS for an APLL-only integer multiply and 0.25 to 0.4ps RMS for APLL-only fractional multiply or DPLL+APLL operation.

For telecom systems, the device has all required features and functions to serve as a central timing function or as a line card timing IC. With a suitable oscillator the device meets the requirements of Stratum 2, 3E, 3, 4E, and 4; G.812 Types I to IV; G.813; and G.8262.

Applications

Frequency Conversion and Synthesis Applications in a Wide Variety of Equipment Types
Telecom Timing Cards or Line Cards for SONET/SDH, Synchronous Ethernet and/or OTN

Ordering Information

PART	OUTPUTS	TEMP RANGE	PIN-PACKAGE
MAX24305EXG2	5	-40 to +85	81-CSBGA
MAX24310EXG2	10	-40 to +85	81-CSBGA

Suffix 2 denotes a lead(Pb)-free/RoHS-compliant package.

Block Diagram appears on page 6.
Register Map appears on page 40.

Features

- ◆ **Input Clocks**
 - ◆ One Crystal Input
 - ◆ Two Differential or CMOS/TTL Inputs
 - ◆ Differential to 750MHz, CMOS/TTL to 160MHz
 - ◆ Continuous Input Clock Quality Monitoring
 - ◆ Automatic or Manual Clock Selection
 - ◆ Hitless Reference Switching on Loss of Input
- ◆ **Low-Bandwidth DPLL**
 - ◆ Programmable Bandwidth, 0.5mHz to 400Hz
 - ◆ Attenuates Jitter up to Several UI
 - ◆ Free-Run or Holdover on Loss of All Inputs
 - ◆ Hitless Reference Switching on Loss of Input
 - ◆ Manual Phase Adjustment
- ◆ **Two APLLs Plus 5 or 10 Output Clocks**
 - ◆ APLLs Perform High Resolution Fractional-N Clock Multiplication
 - ◆ Any Output Frequency from <1Hz to 750MHz
 - ◆ Each Output Has an Independent Divider
 - ◆ Output Jitter Typically 0.18 to 0.3ps RMS for APLL-Only Integer Multiply and 0.25 to 0.4ps RMS for Other Modes (12kHz to 20MHz)
 - ◆ Outputs are CML or 2xCMOS, Can Interface to LVDS, LVPECL, HSTL, SSTL and HCSL
 - ◆ CMOS Output Voltage from 1.5V to 3.3V
- ◆ **General Features**
 - ◆ Suitable Line Card IC or Timing Card IC for Stratum 2/3E/3/4E/4, SMC, SEC/EEC, or SSU
 - ◆ Automatic Self-Configuration at Power-Up from Internal EEPROM Memory
 - ◆ Uses External Crystal, Oscillator or Clock Signal As Master Clock
 - ◆ Internal Compensation for Local Oscillator Frequency Error
 - ◆ SPI Processor Interface
 - ◆ 1.8V + 3.3V Operation (5V Tolerant)
 - ◆ -40°C to +85°C Operating Temp. Range
 - ◆ 10mm x 10mm CSBGA Package

Table of Contents

1.	APPLICATION EXAMPLES	6
2.	BLOCK DIAGRAM	6
3.	DETAILED FEATURES	7
3.1	INPUT BLOCK FEATURES	7
3.2	DPLL FEATURES	7
3.3	APLL FEATURES	7
3.4	OUTPUT CLOCK FEATURES	7
3.5	GENERAL FEATURES	7
4.	PIN DESCRIPTIONS	8
5.	FUNCTIONAL DESCRIPTION	11
5.1	DEVICE IDENTIFICATION AND PROTECTION	11
5.2	TOP-LEVEL CONFIGURATION	11
5.2.1	APLL-Only Mode	11
5.2.2	DPLL+APLL Mode	12
5.3	LOCAL OSCILLATOR AND MASTER CLOCK CONFIGURATION	14
5.3.1	External Oscillator	14
5.3.1.1	Oscillator Characteristics to Minimize Output Jitter	14
5.3.2	On-Chip Crystal Oscillator	15
5.3.3	Master Clock APLL Configuration	16
5.4	INPUT SIGNAL FORMAT CONFIGURATION	17
5.5	INPUT CLOCK DIVIDER, MONITOR AND SELECTOR	17
5.5.1	Input Clock Frequency Dividers, Scaling and Inversion	18
5.5.2	Input Clock Monitoring	18
5.5.2.1	Frequency Monitoring	18
5.5.2.2	Activity Monitoring	19
5.5.2.3	Selected Reference Fast Activity Monitoring	20
5.5.2.4	External Monitoring	21
5.5.3	Input Clock Priority, Selection and Switching	21
5.5.3.1	Priority Configuration	21
5.5.3.2	Automatic Selection	21
5.5.3.3	Forced Selection	22
5.5.3.4	Ultra-Fast Reference Switching	22
5.5.3.5	External Reference Switching Mode	22
5.5.3.6	Output Clock Phase Continuity During Reference Switching	22
5.6	DPLL ARCHITECTURE AND CONFIGURATION	23
5.6.1	DPLL State Machine	23
5.6.1.1	Free-Run State	24
5.6.1.2	Prelocked State	25
5.6.1.3	Locked State	25
5.6.1.4	Loss-of-Lock State	25
5.6.1.5	Prelocked 2 State	26
5.6.1.6	Holdover State	26
5.6.1.7	Mini-Holdover	27
5.6.2	Bandwidth	27
5.6.3	Damping Factor	27
5.6.4	Phase Detectors	28
5.6.5	Loss of Phase Lock Detection	28
5.6.6	Phase Monitor and Phase Build-Out	29
5.6.6.1	Phase Monitor	29
5.6.6.2	Phase Build-Out in Response to Input Phase Transients	29
5.6.6.3	Automatic Phase Build-Out in Response to Reference Switching	29
5.6.6.4	Manual Phase Build-Out Control	30

5.6.7	<i>Manual Phase Adjustment</i>	30
5.6.8	<i>Frequency and Phase Measurement</i>	30
5.6.9	<i>Input Wander and Jitter Tolerance</i>	31
5.6.10	<i>Jitter and Wander Transfer</i>	31
5.6.11	<i>Output Jitter and Wander</i>	31
5.6.12	<i>±160ppm Tracking Range Mode</i>	31
5.7	APLL CONFIGURATION	31
5.7.1	<i>Input Selection and Frequency</i>	31
5.7.1.1	<i>APLL-Only Mode</i>	31
5.7.1.2	<i>DPLL+APLL Mode</i>	32
5.7.2	<i>Output Frequency</i>	32
5.8	OUTPUT CLOCK CONFIGURATION	33
5.8.1	<i>Enable, Signal Format, Voltage and Interfacing</i>	33
5.8.2	<i>Frequency Configuration</i>	34
5.8.3	<i>Phase Adjustment</i>	34
5.9	MICROPROCESSOR INTERFACE	35
5.10	RESET LOGIC	37
5.11	POWER-SUPPLY CONSIDERATIONS	37
5.12	INITIALIZATION AND EEPROM CONFIGURATION MEMORY	37
6.	REGISTER DESCRIPTIONS	38
6.1	REGISTER TYPES	38
6.1.1	<i>Status Bits</i>	38
6.1.2	<i>Configuration Fields</i>	38
6.1.3	<i>Bank-Switched Registers</i>	38
6.1.4	<i>Multiregister Fields</i>	38
6.1.5	<i>Input Clock Registers and DPLL Registers</i>	39
6.2	REGISTER MAP	40
6.3	REGISTER DEFINITIONS	42
6.3.1	<i>Global Registers</i>	42
6.3.2	<i>GPIO Registers</i>	47
6.3.3	<i>APLL Registers</i>	50
6.3.4	<i>Output Clock Registers</i>	56
6.3.5	<i>Input Clock Registers</i>	60
6.3.6	<i>DPLL Registers</i>	72
6.3.7	<i>DPLL and Input Block Status Registers</i>	94
7.	JTAG AND BOUNDARY SCAN	98
7.1	JTAG DESCRIPTION	98
7.2	JTAG TAP CONTROLLER STATE MACHINE DESCRIPTION	99
7.3	JTAG INSTRUCTION REGISTER AND INSTRUCTIONS	101
7.4	JTAG TEST REGISTERS	102
8.	ELECTRICAL CHARACTERISTICS	103
9.	PIN ASSIGNMENTS	113
9.1	MAX24305 PIN ASSSIGNMENT	113
9.2	MAX24310 PIN ASSSIGNMENT	115
10.	PACKAGE AND THERMAL INFORMATION	117
10.1	PACKAGE TOP MARK FORMAT	117
10.2	THERMAL SPECIFICATIONS	118
11.	ACRONYMS AND ABBREVIATIONS	119
12.	STANDARDS	120
13.	DATA SHEET REVISION HISTORY	121

List of Figures

Figure 1-1. Telecom Timing Card	6
Figure 1-2. Synchronous Ethernet and SDH/SONET Line Card	6
Figure 2-1. Block Diagram	6
Figure 5-1. APLL-Only Mode: Clock Synthesis from a Crystal.....	11
Figure 5-2. APLL-Only Mode: Locked to One of Four Input Clocks	12
Figure 5-3. DPLL+APLL Mode: Method 1, Master Clock from High-Speed External Oscillator	13
Figure 5-4. DPLL+APLL Mode: Method 2a, Master Clock from Crystal Oscillator Multiplied by APLL2	13
Figure 5-5. DPLL+APLL Mode: Method 2b, Master Clock from External Oscillator Multiplied by APLL2	14
Figure 5-6. Crystal Equivalent Circuit / Crystal and Capacitor Connections	15
Figure 5-7. Input block Diagram	17
Figure 5-8. DPLL Block Diagram	23
Figure 5-9. DPLL State Transition Diagram	24
Figure 5-10. APLL Block Diagram	32
Figure 5-11. SPI Read Transaction Functional Timing.....	36
Figure 5-12. SPI Write Enable Transaction Functional Timing	36
Figure 5-13. SPI Write Transaction Functional Timing.....	36
Figure 7-1. JTAG Block Diagram.....	98
Figure 7-2. JTAG TAP Controller State Machine	100
Figure 8-1. Recommended External Components for Interfacing to Differential Inputs.....	105
Figure 8-2. Recommended External Components for Interfacing to CML Outputs.....	107
Figure 8-3. Recommended Configuration for Interfacing to HCSL Components	108
Figure 8-4. SPI Interface Timing Diagram	111
Figure 8-5. JTAG Timing Diagram.....	112
Figure 9-1. MAX24305 Pin Assignment Diagram.....	114
Figure 9-2. MAX24310 Pin Assignment Diagram.....	116
Figure 10-1. Non-Customized Device Top Mark	117
Figure 10-2. Custom Factory-Programmed Device Top Mark	117

List of Tables

Table 4-1. Input Clock Pin Descriptions	8
Table 4-2. Output Clock Pin Descriptions.....	8
Table 4-3. Global Pin Descriptions	8
Table 4-4. SPI Interface Pin Descriptions.....	9
Table 4-5. JTAG Interface Pin Descriptions	9
Table 4-6. Power-Supply Pin Descriptions	9
Table 5-1. Crystal Selection Parameters	15
Table 5-2. Example Master Clock APLL Input Frequencies and Configurations	16
Table 5-3. Input Clock Capabilities	17
Table 5-4. Activity Monitoring, Missing Clock Cycles vs. Frequency	20
Table 5-5. Default Input Clock Priorities	21
Table 5-6. Damping Factors and Peak Jitter/Wander Gain.....	27
Table 6-1. Register Map	40
Table 7-1. JTAG Instruction Codes	101
Table 7-2. JTAG ID Code	102
Table 8-1. Recommended DC Operating Conditions	103
Table 8-2. Electrical Characteristics: Supply Currents	103
Table 8-3. Electrical Characteristics: Non-Clock CMOS/TTL Pins.....	104
Table 8-4. Electrical Characteristics: Clock Inputs	105
Table 8-5. Electrical Characteristics: CML Clock Outputs.....	106
Table 8-6. Electrical Characteristics: CMOS and HSTL (Class I) Clock Outputs.....	107
Table 8-7. Electrical Characteristics: Clock Output Timing	108
Table 8-8. Electrical Characteristics: Jitter Specifications.....	108
Table 8-9. Electrical Characteristics: Typical Output Jitter Performance, APLL Only.....	109
Table 8-10. Electrical Characteristics: Typical Output Jitter Performance, DPLL+APLL	109
Table 8-11. Electrical Characteristics: Typical Input-to-Output Clock Delay	110
Table 8-12. Electrical Characteristics: Typical Output-to-Output Clock Delay	110
Table 8-13. Electrical Characteristics: SPI Interface Timing	111
Table 8-14. Electrical Characteristics: JTAG Interface Timing.....	112
Table 9-1. MAX24305 Pin Assignments Sorted by Signal Name.....	113
Table 9-2. MAX24310 Pin Assignments Sorted by Signal Name.....	115
Table 10-1. Package Top Mark Legend	117
Table 10-2. CSBGA Package Thermal Properties	118
Table 12-1. Applicable Standards	120

1. Application Examples

Figure 1-1. Telecom Timing Card

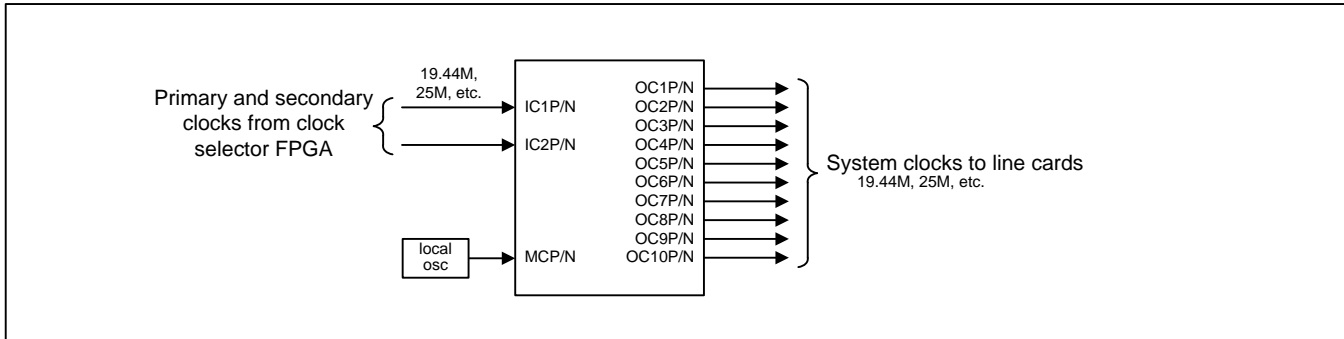
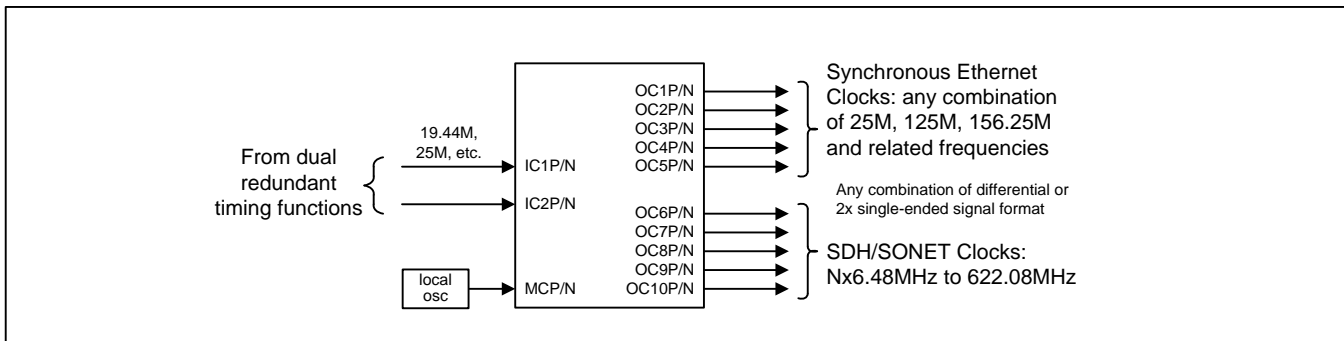
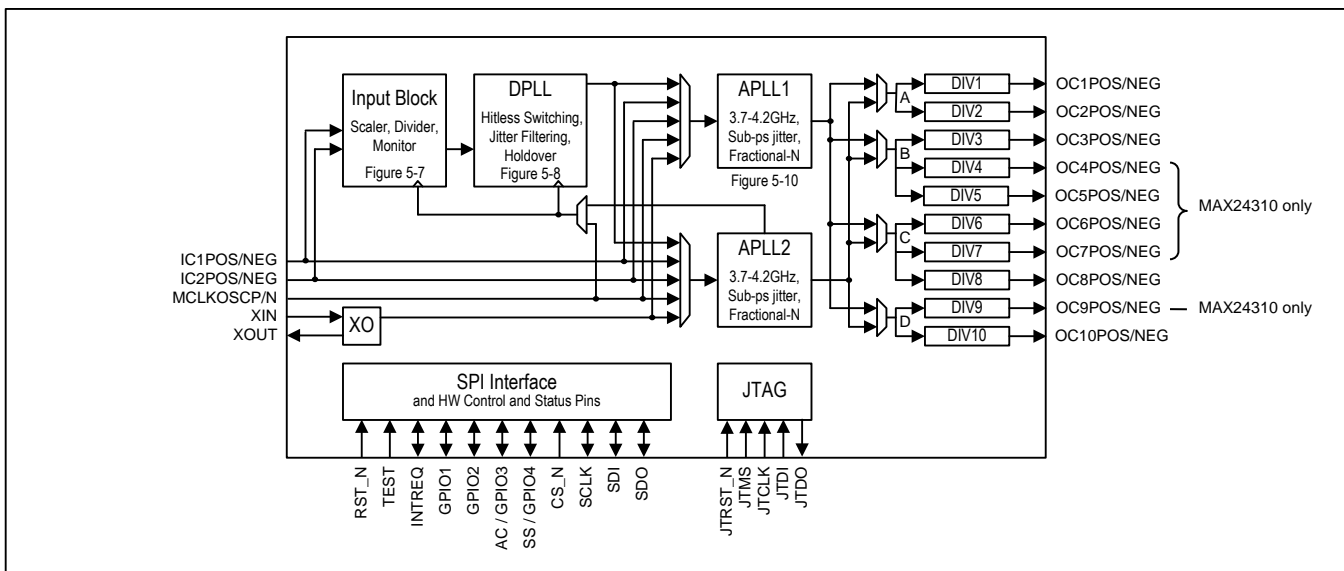


Figure 1-2. Synchronous Ethernet and SDH/SONET Line Card



2. Block Diagram

Figure 2-1. Block Diagram



3. Detailed Features

3.1 Input Block Features

- Two input clocks, differential or CMOS/TTL signal format
- Input clocks can be any frequency from 1Hz up to 750MHz
- Supported telecom frequencies include PDH, SDH, Synchronous Ethernet, OTU-1, OTU-2, OTU-3
- Per-input fractional scaling (i.e. multiplying by $N \div D$ where N is a 16-bit integer and D is a 32-bit integer and $N < D$) to undo 64B/66B and FEC scaling (e.g. 64/66, 238/255, 237/255, 236/255)
- All inputs constantly monitored by programmable activity monitors and frequency monitors
- Fast activity monitor can disqualify the selected reference after a few missing clock cycles
- Frequency measurement with 1.25ppm resolution
- Frequency monitor thresholds with 1.25ppm or 5ppb resolution

3.2 DPLL Features

- Very high-resolution DPLL architecture
- Sophisticated state machine automatically transitions between free-run, locked, and holdover states
- Revertive or nonrevertive reference selection algorithm
- Programmable bandwidth from 0.5mHz to 400Hz
- Separately configurable acquisition bandwidth and locked bandwidth
- Programmable damping factor to balance lock time with peaking: 1.2, 2.5, 5, 10 or 20
- Multiple phase detectors: phase/frequency and multicycle
- Phase/frequency locking ($\pm 360^\circ$ capture) or nearest-edge phase locking ($\pm 180^\circ$ capture)
- Multicycle phase detection and locking (up to ± 8191 UI) improves jitter tolerance and lock time
- Phase build-out in response to reference switching for true hitless switching
- Less than 1 ns output clock phase transient during phase build-out
- Output phase adjustment up to ± 200 ns in 6ps steps with respect to selected input reference
- High-resolution frequency and phase measurement
- Holdover frequency averaging over 1 second, 5.8 minute and 93.2 minute intervals
- Fast detection of input clock failure and transition to holdover mode
- Numerically controlled oscillator (NCO) mode allows system software to steer DPLL frequency

3.3 APLL Features

- Two independent APLLs simultaneously product two frequency families from the same reference clock or different reference clocks
- Very high-resolution fractional scaling (i.e. non-integer multiplication)
- Output jitter is typically 0.18 to 0.3ps RMS for APLL-only integer multiply and 0.25 to 0.4ps RMS for APLL-only fractional multiply or DPLL+APLL operation (12kHz to 20MHz integration band, for output frequencies > 100 MHz)
- Telecom output frequencies include 622.08MHz for SONET/SDH and 625MHz for Synchronous Ethernet
- Bypass mode for each APLL supports system testing and allows device to be used in fanout applications

3.4 Output Clock Features

- Ten low-jitter output clocks
- Each output can be one differential output or two CMOS/TTL outputs
- Outputs easily interface with CML, LVDS, LVPECL, HSTL, SSTL, HCSL components
- Each output can be any integer divisor of either APLL output clock
- Supported telecom frequencies include PDH, SDH, Synchronous Ethernet, OTN
- Can also produce clock frequencies for microprocessors, ASICs, FPGAs and other components
- Per-output delay adjustment, per-output enable/disable

3.5 General Features

- SPI serial microprocessor interface
- Automatic self-configuration at power-up from internal EEPROM memory
- Four general-purpose I/O pins
- Can operate as DPLL+APLL for jitter filtering and hitless switching or as APLL only
- Local oscillator can be nearly any frequency from 10MHz to 750MHz
- Internal compensation for local oscillator frequency error

4. Pin Descriptions

Table 4-1. Input Clock Pin Descriptions

PIN NAME	TYPE ⁽¹⁾	PIN DESCRIPTION
IC1POS, IC1NEG	I _{DIFF}	Input Clocks 1 and 2. Differential or CMOS/TTL signal format. Programmable frequency. <i>Differential:</i> See Table 8-4 for electrical specifications, and see Figure 8-1 for recommended external circuitry for interfacing these differential inputs to LVDS, LVPECL or CML output pins on other devices. <i>CMOS/TTL:</i> Connect the single-ended signal to the POS pin. Connect the NEG pin to a capacitor (0.1µF or 0.01µF) to VSS_IO. As shown in Figure 8-1 , the NEG pin is internally biased to approximately 1.2V. Treat the NEG pin as a sensitive node; minimize stubs; do not connect to anything else including other NEG pins. <i>Unused:</i> The POS and NEG pins can be left floating. Set ICCR1.ICEN=0.
IC2POS, IC2NEG		
XIN	I	Crystal Oscillator Input. An on-chip XO circuit is designed to work with an external crystal connected to the XIN and XOUT pins. See section 5.3.2 for crystal characteristics and recommended external components. Alternately, the on-chip XO circuit can be disabled, and XIN can be used as a single-ended input clock pin that can accept a clock signal amplitude from 1.8V to 3.3V.
XOUT	O	Crystal Oscillator Output. See section 5.3.2 for crystal characteristics and recommended external components.
MCLKOSCP, MCLKOSCN	I _{DIFF}	Master Clock Oscillator. These pins can be used to connect the device to a local oscillator (XO, TCXO, OCXO). The oscillator can be any of a range of frequencies. See section 5.3 . <i>Differential:</i> See Table 8-4 for electrical specifications, and see Figure 8-1 for recommended external circuitry for interfacing these differential inputs to LVDS, LVPECL or CML output pins on other devices. <i>CMOS/TTL:</i> Connect the single-ended signal to the MCLKOSCP pin. Connect the MCLKOSCN pin to a capacitor (0.1µF or 0.01µF) to VSS_IO. As shown in Figure 8-1 , the MCLKOSCN pin is internally biased to approximately 1.2V. Treat MCLKOSCN as a sensitive node; minimize stubs; do not connect to anything else.

Table 4-2. Output Clock Pin Descriptions

PIN NAME	TYPE ⁽¹⁾	PIN DESCRIPTION
OC1POS, OC1NEG OC2POS, OC2NEG OC3POS, OC3NEG OC4POS, OC4NEG OC5POS, OC5NEG OC6POS, OC6NEG OC7POS, OC7NEG OC8POS, OC8NEG OC9POS, OC9NEG OC10POS, OC10NEG	O _{DIFF}	Differential Output Clocks 1 through 10. CML, HSTL or 1 or 2 CMOS. Programmable frequency. See Table 8-5 and Figure 8-2 for electrical specifications and recommended external circuitry for interfacing to LVDS, LVPECL or CML input pins on other devices. See Table 8-6 for electrical specifications for interfacing to CMOS and HSTL inputs on other devices. See Outputs in HSTL mode with VDDOx=1.5V or VDDOx=1.8V can provide an HCSL signal (VOH typ. 0.75V) to a neighboring component when configured as shown in Figure 8-3 below. For VDDOx=1.5V the value of RS should be set to 30Ω and OCCR2.DRIVE should be set to 4x. For VDDOx=1.8V the value of RS should be set to 20Ω and OCCR2.DRIVE should be set to 2x. Figure 8-3 for recommended external circuitry for interfacing to HCSL inputs on other devices.

Table 4-3. Global Pin Descriptions

PIN NAME	TYPE ⁽¹⁾	PIN DESCRIPTION
RST_N	I _{PU}	Reset (Active Low). When this global asynchronous reset is pulled low, all internal circuitry is reset to default values. The device is held in reset as long as RST_N is low. RST_N should be held low for at least 100ns.

PIN NAME	TYPE ⁽¹⁾	PIN DESCRIPTION
TEST	I _{PD}	Factory Test Mode Select. Wire this pin to VSS for normal operation.
GPIO1	I/O _{PU}	General-Purpose I/O Pin 1. GPCR.GPIO1C configures this pin. Its state is indicated in GPSR.GPIO1.
GPIO2	I/O _{PD}	General-Purpose I/O Pin 2. GPCR.GPIO2C configures this pin. Its state is indicated in GPSR.GPIO2.
AC / GPIO3	I/O _{PU}	Auto Configuration / General-Purpose I/O Pin 3. If this pin is high when RST_N goes high the device automatically configures its registers based on the configuration script stored in EEPROM memory. See section 5.12. After reset GPCR.GPIO3C configures this pin. Its state is indicated in GPSR.GPIO3.
SS / GPIO4	I/O _{PD}	Source Switch / General-Purpose I/O Pin 4. When DPLLCR1.EXTSW=1 this pin behaves as SS, the source-switching control input for the input block and DLL (see section 5.5.3.5). When APLLCR2.EXTSW=1 this pin behaves as SS, the sources-switching control input for one or both APLLs. When DPLLCR1.EXTSW=0 and APLLCR2.EXTSW=0 this pin behaves as GPIO4, it is configured by GPCR.GPIO4C, and its state is indicated in GPSR.GPIO4.

Table 4-4. SPI Interface Pin Descriptions

See section 5.9 for functional description and Table 8-13 for timing specifications.

PIN NAME	TYPE ⁽¹⁾	PIN DESCRIPTION
CS_N	I	Chip Select. The CS_N, SCLK, SDI and SDO pins together are a SPI slave port through which an external SPI master can communicate with the device. This pin must be asserted (low) to read or write internal registers.
SCLK	I	Serial Clock. SCLK is always driven by the SPI bus master.
SDI	I	Serial Data Input. The SPI bus master transmits data to the device on this pin.
SDO	O ₃	Serial Data Output. The device transmits data to the SPI bus master on this pin.

Table 4-5. JTAG Interface Pin Descriptions

See Section 7 for functional description and Table 8-14 for timing specifications.

PIN NAME	TYPE ⁽¹⁾	PIN DESCRIPTION
JTRST_N	I _{PU}	JTAG Test Reset (Active Low). Asynchronously resets the test access port (TAP) controller. JTRST_N should be held low during device power-up. If not used, JTRST_N can be held low or high after power-up.
JTCLK	I	JTAG Clock. Shifts data into JTDI on the rising edge and out of JTDO on the falling edge. If not used, JTCLK can be held low or high.
JTDI	I _{PU}	JTAG Test Data Input. Test instructions and data are clocked in on this pin on the rising edge of JTCLK. If not used, JTDI can be held low or high.
JTDO	O ₃	JTAG Test Data Output. Test instructions and data are clocked out on this pin on the falling edge of JTCLK. If not used, leave floating.
JTMS	I _{PU}	JTAG Test Mode Select. Sampled on the rising edge of JTCLK and is used to place the port into the various defined IEEE 1149.1 states. If not used connect to 3.3V or leave floating.

Table 4-6. Power-Supply Pin Descriptions

PIN NAME	TYPE ⁽¹⁾	PIN DESCRIPTION
VDD_18	P	Digital I/O Power Supply. 1.8V ±5%.
VDD_33	P	Digital I/O Power Supply. 3.3V ±5%.
VDD_APLL1_18	P	APLL1 Power Supply. 1.8V ±5%. Also supply for IC1 input.
VDD_APLL1_33	P	APLL1 Power Supply. 3.3V ±5%. Also supply for IC1 input.
VDD_APLL2_18	P	APLL2 Power Supply. 1.8V ±5%. Also supply for IC2 and MCLKOSC inputs.
VDD_APLL2_33	P	APLL2 Power Supply. 3.3V ±5%. Also supply for IC2 and MCLKOSC inputs.
VDD_DIG_18	P	Core Digital Power Supply. 1.8V ±5%.
VDD_OC_18	P	Output Clock Power Supply. 1.8V ±5%.
VDD_XO_18	P	Crystal Oscillator Power Supply. 1.8V ±5%.
VDD_XO_33	P	Crystal Oscillator Power Supply. 3.3V ±5%.

PIN NAME	TYPE ⁽¹⁾	PIN DESCRIPTION
VDDO18A	P	Output Clock Power Supply, Bank A (OC1, OC2). 1.8V \pm 5%.
VDDO18B	P	Output Clock Power Supply, Bank B (OC3–OC5). 1.8V \pm 5%.
VDDO18C	P	Output Clock Power Supply, Bank C (OC6–OC8). 1.8V \pm 5%.
VDDO18D	P	Output Clock Power Supply, Bank D (OC9, OC10). 1.8V \pm 5%.
VDDOA	P	Output Clock Power Supply, Bank A (OC1, OC2). 1.5V to 3.3V \pm 5%.
VDDOB	P	Output Clock Power Supply, Bank B (OC3–OC5). 1.5V to 3.3V \pm 5%.
VDDOC	P	Output Clock Power Supply, Bank C (OC6–OC8). 1.5V to 3.3V \pm 5%.
VDDOD	P	Output Clock Power Supply, Bank D (OC9, OC10). 1.5V to 3.3V \pm 5%.
VSS_APLL1	P	Return for VDD_APLL1 Supplies.
VSS_APLL2	P	Return for VDD_APLL2 Supplies.
VSS_DIG	P	Core Digital Return.
VSS_OC	P	Output Clock Return.
VSS_XO	P	Crystal Oscillator Return.
VSSOA	P	Return for VDDOA Supply.
VSSOB	P	Return for VDDOB Supply.
VSSOC	P	Return for VDDOC Supply.
VSSOD	P	Return for VDDOD Supply.
VSUB	P	Substrate Voltage. Connect to board ground.

Note 1: All pins, except power and analog pins, are CMOS/TTL unless otherwise specified in the pin description.

PIN TYPES

I = input pin
 I_{DIFF} = differential input, can be interfaced to LVDS, LVPECL, CML, HSTL or CMOS/TTL signals
 I_{PD} = input pin with internal 50k Ω pulldown
 I_{PU} = input pin with internal 50k Ω pullup
 I/O = input/output pin
 IO_{PD} = input/output pin with internal 50k Ω pulldown
 IO_{PU} = input/output pin with internal 50k Ω pullup
 O = output pin
 O_3 = output pin that can be tri-stated (i.e., placed in a high-impedance state)
 O_{DIFF} = differential output, CML format
 P = power-supply pin

Note 2: All digital pins, except ICn and OCn, are I/O pins in JTAG mode. ICn and OCn pins do not have JTAG functionality.

5. Functional Description

5.1 Device Identification and Protection

The 16-bit read-only ID field in the **ID1** and **ID2** registers is set to 00C3h = 195 decimal. The device revision can be read from the **REV** register. Contact the factory to interpret this value and determine the latest revision. The register set can be protected from inadvertent writes using the **PROT** register.

5.2 Top-Level Configuration

MAX24305 and MAX24310 have two fundamental modes of operation: APLL-only and DPLL+APLL.

5.2.1 APLL-Only Mode

In APLL-only mode, the input block and the DPLL are powered down, and APLL1 and/or APLL2 are available to produce two independent families of output clock frequencies. The input block and the DPLL are powered down by setting **MCR1.ICBEN=0** and **MCR1.DPLLEN=0**, respectively. This reduces chip power consumption as shown in [Table 8-2](#).

The bandwidth of the APLLs is approximately 400kHz and therefore in APLL-only mode the device does not filter jitter. This means that in applications where output signals must have sub-ps jitter, the APLL input signal must have sub-ps jitter. In addition, features of the input block and the DPLL including activity monitoring, frequency monitoring and hitless switching are not available. APLL-only mode is enabled when the APLL input muxes are set to select an input other than the DPLL output (i.e. **APLLCR2.APLLMUX=0xx**).

APLL-only mode has two usage cases for each APLL. First, the APLLs can be locked to the on-chip crystal oscillator as shown in [Figure 5-1](#). Second, each APLL can be locked to any of the four input clock signals, as shown in [Figure 5-2](#).

Figure 5-1. APLL-Only Mode: Clock Synthesis from a Crystal

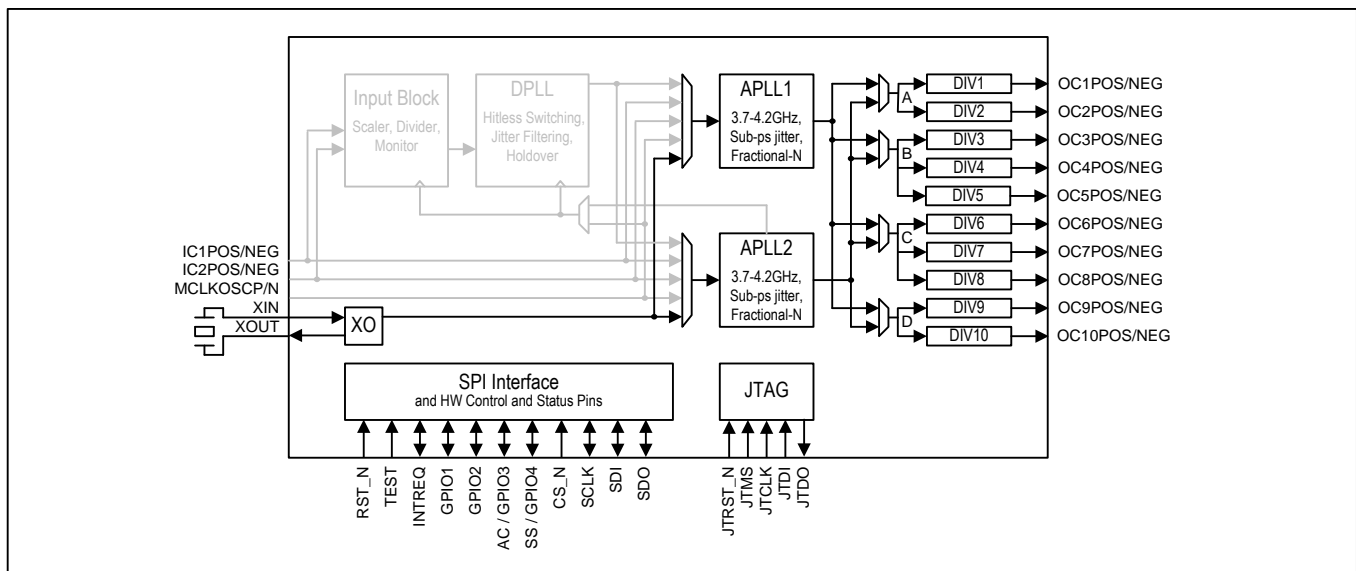
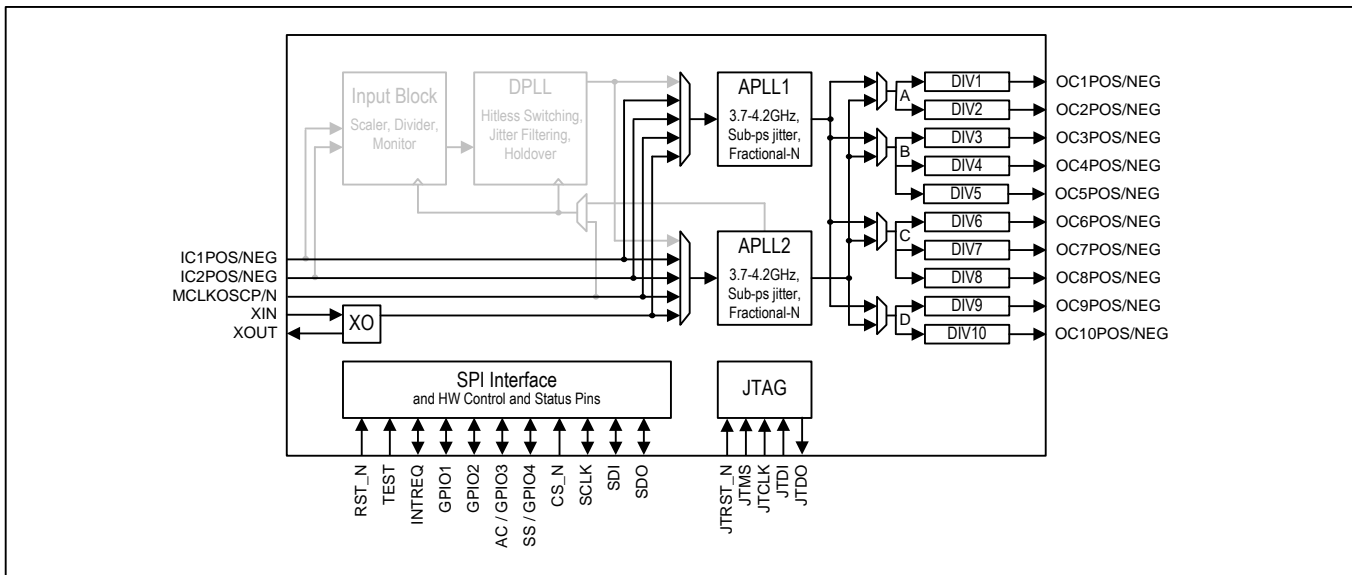


Figure 5-2. APLL-Only Mode: Locked to One of Four Input Clocks


5.2.2 DPLL+APLL Mode

In DPLL+APLL mode, the input block and DPLL are enabled and used. In this mode device power consumption is higher than APLL-only mode, but all input block features are available including activity monitoring, frequency monitoring and automatic reference switching. In addition, all DPLL features are available as well, including hitless switching, holdover, and bandwidths low enough to filter jitter on the input clock signals.

DPLL+APLL mode is enabled when the APLL1 input mux is set to select the DPLL output (i.e. [APLLCR2.APLLMUX=100](#)) and the input block and DPLL are enabled using the enable bits in [MCR1](#).

In this mode the input block and the DPLL must operate from a master clock signal of approximately 200MHz. This master clock signal can be provided using either of two methods.

For method 1, a 190MHz to 208.333MHz local oscillator is connected directly to the MCLKOSCP/N pins, and the [MCR3.MCMUX](#) bit is set to 1 to connect this clock signal directly to the input block and the DPLL. This method, shown in [Figure 5-3](#), leaves APLL2 available to be synchronized to the DPLL and allows the device to make two families of output clock frequencies that are both synchronized to the DPLL's selected reference.

For method 2, APLL2 is configured to make the master clock signal from a lower frequency local oscillator connected to the MCLKOSCP/N pins. The APLL2 output frequency must be in the range 380MHz to 416.667MHz or the range 570MHz to 625MHz. APLL2's master clock divider ([MCR2.MCDIV](#)) is then configured to divide APLL2's output frequency by 2 or 3 to get a master clock frequency in the range 190MHz to 208.333MHz. The [MCR3.MCMUX](#) bit is set to 0 to connect the master clock signal from APLL2 to the input block and the DPLL. The APLL2 output clock frequency can also be provided to any of output banks A, B, C or D where it can be further divided to make output clock signals derived from the local oscillator.

Method 2 has two usage cases, 2a and 2b. For method 2a, APLL2 is locked to the on-chip crystal oscillator as shown in [Figure 5-4](#). This gives the lowest possible cost for the master clock reference, but the DPLL's frequency stability during holdover is relatively poor due to the use of a non-temperature-compensated crystal. In some applications the DPLL is expected to always be locked to one of the two input clocks and rarely or never enter holdover. For these applications DPLL stability during holdover is not a requirement, and deriving the master clock from a crystal is appropriate.

For method 2b, APLL2 is locked to an external oscillator as shown in [Figure 5-5](#). This allows a more stable but more expensive reference for the master clock, such as a high-stability XO, a TCXO or even an OCXO.

Figure 5-3. DPLL+APLL Mode: Method 1, Master Clock from High-Speed External Oscillator

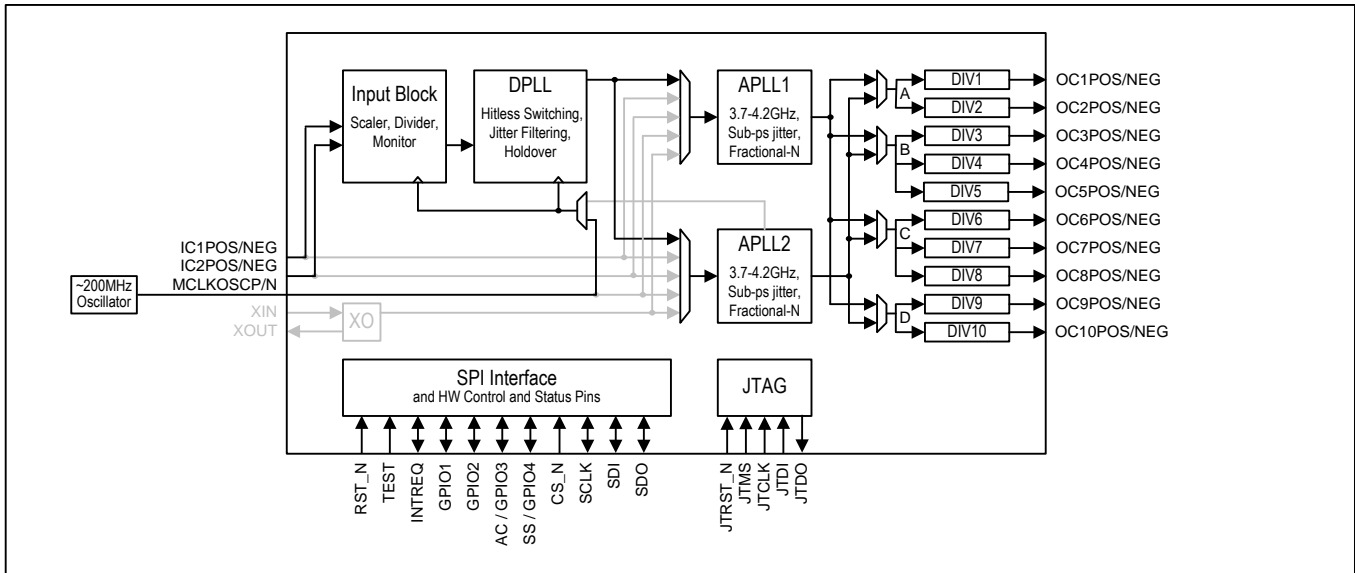


Figure 5-4. DPLL+APLL Mode: Method 2a, Master Clock from Crystal Oscillator Multiplied by APLL2

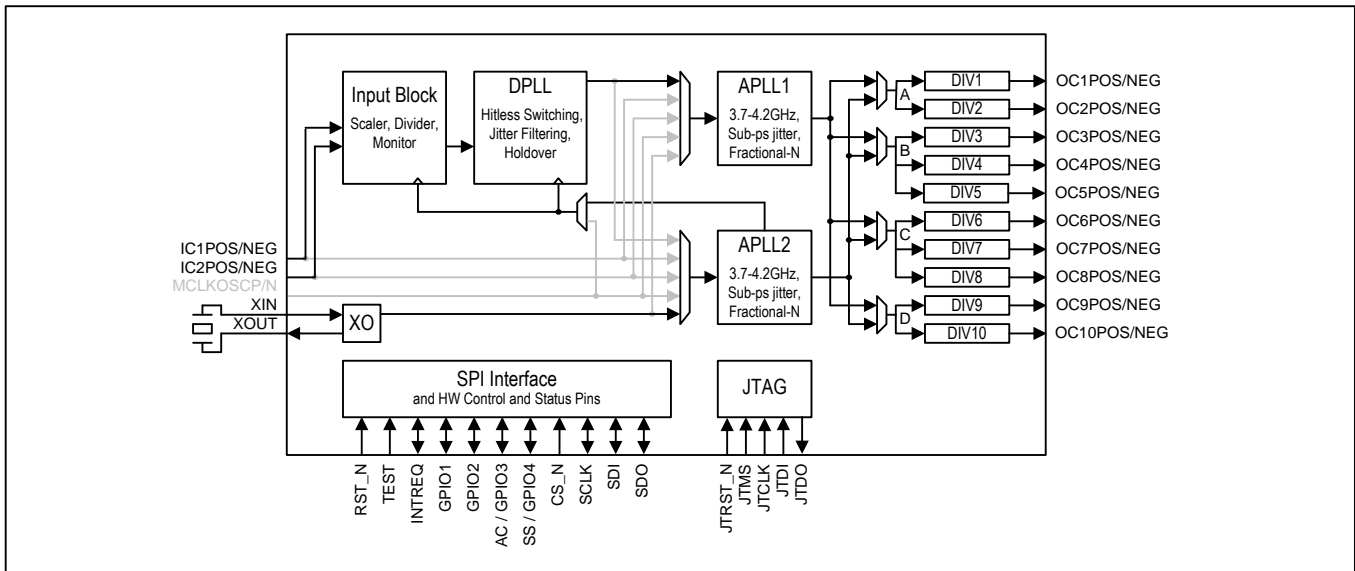
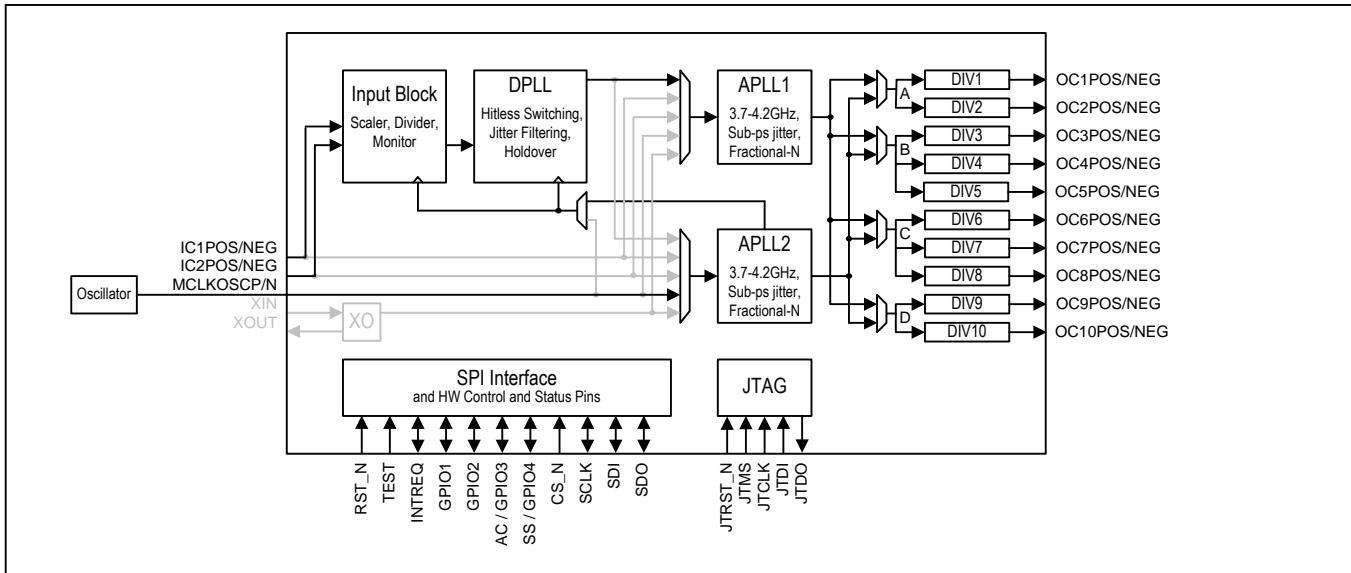


Figure 5-5. DPLL+APLL Mode: Method 2b, Master Clock from External Oscillator Multiplied by APLL2



5.3 Local Oscillator and Master Clock Configuration

Section 5.2 describes several device configurations that make use of either an external local oscillator (XO, TCXO, OCXO) or the on-chip crystal oscillator connected to an external crystal. Section 5.3.1 describes how to connect an external oscillator and the required characteristics of the oscillator. Section 5.3.2 describes how to connect an external crystal to the on-chip crystal oscillator and the required characteristics of the crystal. Section 5.3.3 describes how to configure APLL2 to lock to either an external oscillator or the on-chip crystal oscillator and produce a suitable master clock for the input block and the DPLL.

5.3.1 External Oscillator

A signal from an external oscillator can be connected to the MCLKOSCP/N pins. The external oscillator can be either differential or single-ended and any frequency from 9.72MHz to 750MHz (but see additional constraint for method 1 in section 5.2.2). See the MCLKOSCP/N pin description in Table 4-1 for additional details. For lowest output jitter, a differential signal is best. To minimize jitter when a single-ended signal is used, the signal must be properly terminated and must have very short trace length. A poorly terminated single-ended signal can greatly increase output jitter, and long single-ended trace lengths are more susceptible to noise. If the oscillator is located more than 2cm away from the device, consider connecting the single-ended oscillator output to an LVDS driver IC (such as MAX9110) and sending a differential clock signal to the device pins.

When the DPLL master clock (see section 5.3.3) is derived from the oscillator signal applied to the MCLKOSCP/N pins, the stability of the DPLL in free-run or holdover is equivalent to the stability of the oscillator. While many applications can make use of a simple crystal oscillator, some applications may require the stability of a TCXO or an OCXO. The PBTIMER register must be set appropriately for type of oscillator used. Contact Microsemi timing products technical support for recommended oscillator components.

While the stability of the external oscillator can be important, its absolute frequency accuracy is less important because any known frequency inaccuracy of the oscillator can be compensated in the DPLL or in the APLLs. When the device is configured for DPLL+APLL mode, the DPLL's MCFREQ field can be used to compensate for oscillator frequency error. When the device is configured for APLL-only mode, the APLLs' fractional feedback divider values (AFBDIV) can be adjusted by ppb or ppm to compensate for oscillator frequency error.

5.3.1.1 Oscillator Characteristics to Minimize Output Jitter

The jitter on output clock signals depends on the phase noise and frequency of the external oscillator. For the device to operate with the lowest possible output jitter, the external oscillator should have the following characteristics:

- Phase Noise: Typical value of -148dBc/Hz or lower at 10kHz offset from the carrier.

- Frequency: The higher the better, all else being equal. Frequencies that are integer divisors of 4000MHz or 4096MHz are excellent choices, including 50MHz and 51.2MHz.

5.3.2 On-Chip Crystal Oscillator

The crystal oscillator is designed to drive a fundamental mode, AT-cut crystal resonator. See Table 5-1 for recommended crystal specifications. When a crystal is not connected between XIN and XOUT, the XIN pin can be used as a single-ended input to the APLLs.

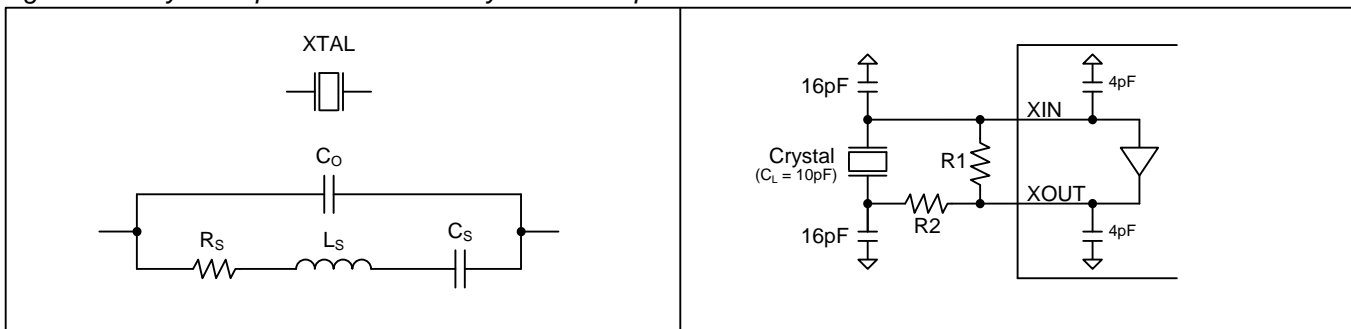
To use the crystal oscillator with an external crystal, set MCR2.XIEN=1 to enable the XIN pin logic and set MCR2.XOEN=1 to enable the XOUT pin so the XO can oscillate. To use the XIN pin as a single-ended input, set MCR2.XIEN=1 to enable the XIN pin and set MCR2.XOEN=0 to disable the XOUT pin to minimize power and noise. If the XIN pin is not used, set MCR2.XIEN=0 and MCR2.XOEN=0 to minimize power and noise.

See Figure 5-6 for the crystal equivalent circuit and the recommended external capacitor connections. To achieve a crystal load (CL) of 10pF, an external 16pF is placed in parallel with the 4pF internal capacitance of the XIN pin, and an external 16pF is placed in parallel with the 4pF internal capacitance of the XOUT pin. The crystal then sees a load of 20pF in series with 20pF, which is 10pF total load. Note that the 16pF capacitance values in Figure 5-6 include all capacitance on those nodes. If, for example, PCB trace capacitance between crystal pin and IC pin is 2pF then 14pF capacitors should be used to make 16pF total.

The crystal, traces, and two external capacitors should be placed on the board as close as possible to the XIN and XOUT pins to reduce crosstalk of active signals into the oscillator. Also no active signals should be routed under the crystal circuitry.

Note: Crystals have temperature sensitivities that can cause crystal oscillator frequency changes in response to ambient temperature changes. In applications where significant temperature changes are expected near the crystal, it is recommended that the crystal be covered with a thermal cap, or an external XO, TCXO or OCXO should be used instead.

Figure 5-6. Crystal Equivalent Circuit / Crystal and Capacitor Connections



Note 1: R1=1MΩ. The value of R2 is a function of crystal frequency, loading and maximum power rating. Contact the factory for guidance in choosing the right R1 resistor for a specific crystal.

Table 5-1. Crystal Selection Parameters

PARAMETER	SYMBOL	MIN	TYP	MAX	UNITS
Crystal Oscillation Frequency	fosc	25	25, 50, 51.2 ¹	52	MHz
Shunt Capacitance	Co		2	5	pF
Load Capacitance	CL		10		pF
Equivalent Series Resistance (ESR) ²	fosc < 40MHz	Rs		60	Ω
	fosc > 40MHz	Rs		50	Ω
Maximum Crystal Drive Level		100			μW

Note 1: Crystal frequencies of 49.152MHz, 50MHz and 51.2MHz are excellent choices for lowest output jitter.

Note 2: These ESR limits are chosen to constrain crystal drive level to less than 100μW. If the crystal can tolerate a drive level greater than 100μW then proportionally higher ESR is acceptable.

PARAMETER	SYMBOL	MIN	TYP	MAX	UNITS
Crystal Oscillator Frequency Stability vs. Power Supply	f_{VD}		0.2	0.5	ppm per 10% Δ in VDD

Any known frequency inaccuracy of the crystal can be compensated in the DPLL or in the APLLs. When the device is configured for DPLL+APLL mode, the DPLL's **MCFREQ** field can be used to compensate for crystal frequency error. When the device is configured for APLL-only mode, the APLLs' fractional feedback divider values (**AFBDIV**) can be adjusted by ppb or ppm to compensate for crystal oscillator frequency error.

5.3.3 Master Clock APLL Configuration

This section does not apply for APLL-only mode.

In DPLL+APLL mode method 2 (see section 5.2.2) the main purpose of APLL2 is to provide the required master clock signal (typically 200MHz or 204.8MHz) to the input block and the DPLL. APLL2 accepts a clock signal from either the MCLKOSCP/N pins or from the on-chip crystal oscillator as specified by APLL2's **APLLCR2.APLLMUX** field. APLL2 can lock to any input clock frequency from 9.72MHz to 102.4MHz. The APLL's input divider, controlled by **APLLCR2.AIDIV**, can be used to divide frequencies up to 750MHz down to the 9.72MHz to 102.4MHz range. To minimize output jitter, the APLL2 input frequency should be multiplied by an integer (i.e. APLL2's **AFBDIV** value should be an integer) to a VCO frequency that can be internally divided by APLL2's high-speed divider (**APLLCR1.HSDIV**) and then by the master clock divider (**MCR2.MCDIV**) to get a master clock frequency in the range of 190MHz to 208.333MHz. Higher APLL2 input frequencies give lower output jitter, all else being equal. Several possible APLL2 input clock frequencies are shown in Table 5-2 below along with the corresponding APLL2 register settings and resulting master clock frequencies.

Table 5-2. Example Master Clock APLL Input Frequencies and Configurations

APLL2 Input Frequency ^{2,3}	Multiplier Value (AFBDIV)	APLL2 VCO Frequency	Divider Value (APLLCR1.HSDIV)	Divider Value (MCR2.MCDIV)	Master Clock Frequency
51.2MHz ¹	80	4096MHz	10	2	204.8MHz
50MHz ¹	80	4000MHz	10	2	200MHz
40MHz	100	4000MHz	10	2	200MHz
25.6MHz	160	4096MHz	10	2	204.8MHz
25MHz	160	4000MHz	10	2	200MHz
12.8MHz	320	4096MHz	10	2	204.8MHz
10MHz	400	4000MHz	10	2	200MHz

Note 1: Input frequencies of 98.304MHz, 50MHz and 51.2MHz are excellent choices for lowest output jitter.

Note 2: Many other input frequencies are possible.

Note 3: The APLL2 input frequency range is wider than the crystal oscillator frequency range.

By default the device assumes a master clock frequency of 204.8MHz. When the master clock frequency is different than 204.8MHz, the **MCDNOM**, **MCINOM** and **MCAC** registers must be set correctly for proper operation of the input block and the DPLL.

The APLLs are self-oscillating, and therefore APLL2's output toggles even when the signal on the MCLKOSC pins or the output of the on-chip crystal oscillator is not toggling. This allows the device to continue to operate (although not in a standards-compliant manner) even during a complete oscillator failure. If the input clock to APLL2 is not toggling or is grossly off frequency, the device sets the **PLL1LSR.MCFAIL** latched status bit. This in turn can cause an interrupt if configured to do so.

The MCLKOSC input must be enabled before use by setting **MCR2.MCEN**=1. The master clock divider must be enabled before use by setting **MCR2.MCDIV** to a non-zero value.

5.4 Input Signal Format Configuration

Input clocks IC1 and IC2 are enabled by setting `MCR2.IC1EN=1` and `IC2EN=1`, respectively. The power consumed by a differential receiver is shown in [Table 8-2](#). The electrical specifications for these inputs are listed in [Table 8-4](#). Each input clock can be configured to accept nearly any differential signal format by using the proper set of external components (see [Table 8-4](#) and [Figure 8-1](#)). To configure these differential inputs to accept single-ended CMOS or TTL signals, connect the single-ended signal to the POS pin, and connect the NEG pin to a capacitor (0.1µF or 0.01µF) to VSS_IO. As shown in [Figure 8-1](#), the NEG pin is internally biased to approximately 1.2V. If a 1.2V bias is unsuitable, an external voltage divider can be used to set a different bias. If an input is not used, both POS and NEG pins can be left floating.

Table 5-3. Input Clock Capabilities

Input Clock	Signal Format	Frequency Range to the Input block (MHz)	Frequency Range to the APLLs (MHz)
IC1	Diferential or CMOS/TTL	Differential: 2kHz to 750MHz	Differential: 9.72MHz to 750MHz
IC2		Single-ended: 2kHz to 160MHz ⁽¹⁾	Single-ended: 9.72MHz to 160MHz

Note 1: See sections [5.5.1](#) for details on frequency dividers, fractional scaling, and direct-lock frequencies supported by the DPLL.

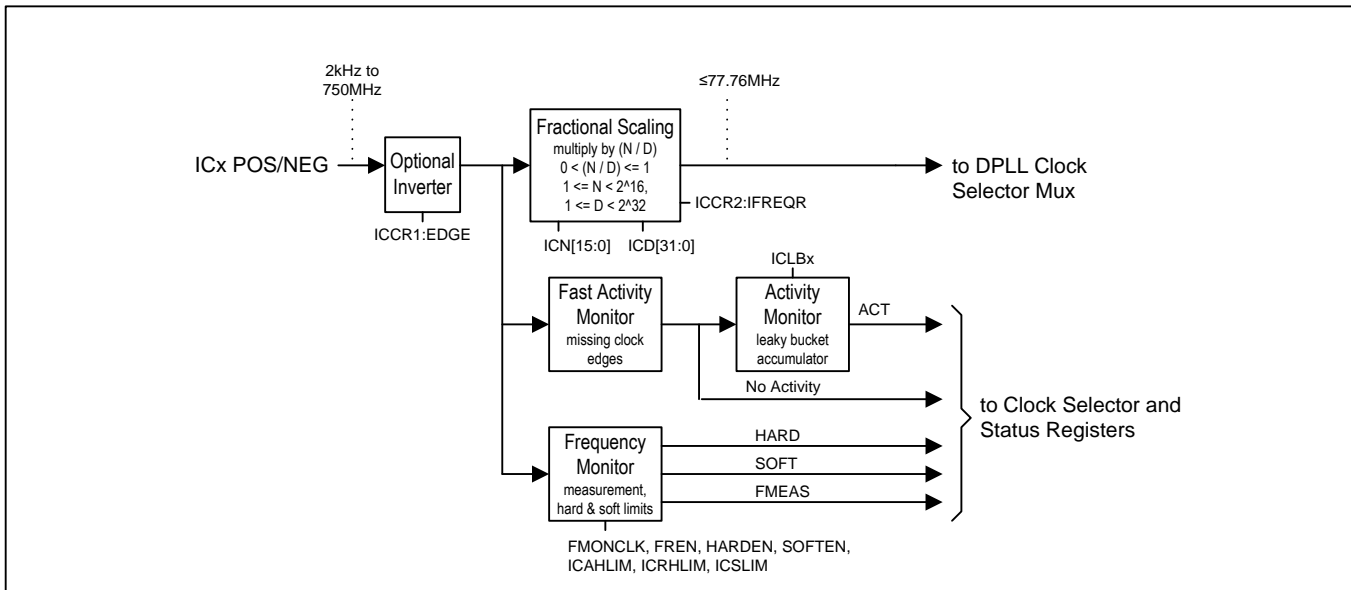
5.5 Input Clock Divider, Monitor and Selector

The input block performs the following functions:

- Frequency division (integer or fractional) to a frequency suitable for DPLL locking
- Activity monitoring
- Frequency monitoring
- DPLL input clock selection (automatic or manual)

[Figure 5-7](#) is a detailed block diagram of the input block. This block requires a master clock as described in section [5.2.2](#). To enable the input block set `MCR1.ICBEN=1`. To enable APLL2, set `APLLSEL=2` and then set `APLLCR1.APLEN=1`.

Figure 5-7. Input block Diagram



It is important to note that the input block provides its selector and divider services to the DPLL only. When the device is configured at the top level to connect an input signal to directly to one or both APLLs, the input block is bypassed as shown in the block diagram in [Figure 2-1](#). In this configuration the input block can still be used to monitor the input clock signals for activity and frequency accuracy.

5.5.1 Input Clock Frequency Dividers, Scaling and Inversion

The input block tolerates a wide range of duty cycles out to a minimum high time or minimum low time of 3ns or 30% of the clock period, whichever is smaller. The input clock registers are bank-selected by the [ICSEL](#) register (see section [6.1.3](#)).

As shown in [Figure 5-7](#), any frequency in the 1Hz to 750MHz range can be accepted by the input block as long as the frequency meets one of the following criteria:

1. A DPLL locking frequency listed in the [ICCR1.LKFREQ](#) register description
2. A frequency that can be divided by an unsigned integer ([ICD](#)+1) to produce a DPLL locking frequency listed in [ICCR1.LKFREQ](#)
3. A frequency that can be multiplied by the ratio of two integers ([ICN](#)+1) / ([ICD](#)+1) to produce a DPLL locking frequency $\geq 1\text{MHz}$ listed in [ICCR1.LKFREQ](#)

An example of item 3 above is the frequency 161,132,812.5Hz, which is the 10G Ethernet baud rate divided by 64 (i.e. $66 / 64 * 10.0\text{GHz} / 64$). The device can accept and lock to this frequency by setting [ICN](#)=64-1=63, [ICD](#)=66*5-1=329, and [ICCR1.LKFREQ](#)=1100b to fractionally scale this frequency to the 31.25MHz DPLL lock frequency.

Another example is the OTU2 rate divided by 16 (i.e. $255 / 237 * 9.95328\text{GHz} / 16$, approximately 669,326,582.278481Hz). The device can accept and lock to this frequency by setting [ICN](#)=237-1=236, [ICD](#)=255*32-1=8159 and [ICCR1.LKFREQ](#)=1001b to fractionally scale this frequency to the 19.44MHz DPLL lock frequency.

Important notes about the input block:

- [ICCR1.POL](#) specifies the edge to which the DPLL will lock (by default, the falling edge).
- The frequency range field [ICCR1.IFREQR](#) must be set correctly for the actual frequency of the input clock.
- For fractional scaling, the input clock frequency must be $\geq 1\text{MHz}$, and [ICN](#) and [ICD](#) must be set to meet the requirement $0 < (\text{ICN} + 1) / (\text{ICD} + 1) \leq 0.25$.
- The frequency out of the scaling block must be a DPLL locking frequency listed in [ICCR1.LKFREQ](#).
- [ICN](#) and [ICD](#) are set to 0 by default to give no dividing or scaling. This setting is useful for rates that are DPLL locking frequencies (e.g. 1MHz and 25MHz)

5.5.2 Input Clock Monitoring

Each input clock (IC1, IC2) is continuously monitored for frequency accuracy and activity. Frequency monitoring is described in section [5.5.2.1](#), while activity monitoring is described in Sections [5.5.2.2](#) and [5.5.2.3](#). Any input clock that has a frequency out-of-band alarm or activity alarm is automatically declared invalid. The valid/invalid state of each input clock is reported in the corresponding real-time status bit in the [VALSR1](#) register. When the valid/invalid state of a clock changes, the corresponding latched status bit is set in the [ICLSR1](#) register, and an interrupt request occurs if the corresponding interrupt enable bit is set in the [ICIER1](#) register. Input clocks marked invalid cannot be automatically selected as the reference for the DPLL.

5.5.2.1 Frequency Monitoring

The input block monitors the frequency of each input clock and invalidates any clock whose frequency is outside of specified limits. Measured frequency can be read from the [FMEAS](#) field. In addition, three frequency limits can be specified: a soft limit ([ICSLIM](#)), a rejection hard limit ([ICRHLIM](#)), and an acceptance hard limit ([IC AHLIM](#)). When the frequency of an input clock is greater than or equal to the soft limit, the corresponding [ISR.SOFT](#) alarm bit is set to 1. The soft limit is only for monitoring; triggering it does not invalidate the clock. When the frequency offset of an input clock is greater than or equal to the rejection hard limit, the corresponding [ISR.HARD](#) alarm bit is set to 1,

and the clock is marked invalid in the [VALSR1](#) register. When the frequency offset of an input clock is less than the acceptance hard limit, the [ISR.HARD](#) alarm bit is cleared to 0. Together, the acceptance hard limit and the rejection hard limit allow hysteresis to be configured as required by Telcordia spec GR-1244-CORE.

Monitoring according to the hard and soft limits is enabled/disabled using the [HARDEN](#) and [SOFTEN](#) bits in the [ICCR2](#) register. Frequency monitoring is only done on an input clock when the clock does not have an activity alarm.

The frequency monitoring logic determines the nominal (ideal, zero-error) frequency of the input clock from the values in the [ICCR1.LKFREQ](#), [ICN](#), [ICD](#), and [ICCR1.IFREQR](#) fields. As must be done in any frequency measurement system, the frequency monitor counts the number of input clock cycles that occur in an interval of time equal to a specific number of reference clock periods. It then compares the actual count to the expected count to determine the fractional frequency offset of the input clock. The reference clock for the frequency monitor can be either the internal master clock (see section [5.3](#)) or the output of the DPLL, depending on the setting of [ICCR2.FMONCLK](#).

Frequency measurement time can be specified in the [ICCR3.FMONLEN](#) field. For any input clock there is a relationship among frequency measurement precision, measurement time (duration), and maximum input jitter amplitude as follows:

$$\text{freq_meas_time} \geq \text{max_p-p_jitter_amplitude} / (0.5 * \text{freq_meas_precision})$$

When [ICCR2.FREN](#)=1 the input block performs gross frequency monitoring and invalidates any clock whose frequency is more than 10,000ppm away from nominal. This function is useful when hard limits are not enabled ([ICCR2.HARDEN](#)=0).

5.5.2.1.1 Low Frequency Monitoring

For low frequency input clock signals (1Hz to 2kHz) the alternate frequency monitoring (AFM) hardware must be used rather than the regular frequency monitoring described in section [5.5.2.1](#). The AFM is enabled by setting [ICCR4.AFM](#)=1. In this mode the device creates an *AFM reference clock* by dividing the master clock (section [5.3](#)) by 256. (For example, when the master clock is 204.8MHz, the AFM reference clock is 800kHz.) The AFM then counts the number of AFM clocks cycles per input clock cycle and compares that *AFM count* with thresholds set by the [AFMNOM](#), [IC AHLIM](#) and [ICRHLIM](#) registers.

In AFM mode, the nominal count of AFM reference clock cycles per input clock cycle is written to the [AFMNOM](#) field. In addition, two frequency limits can be specified: a rejection hard limit ([ICRHLIM](#)), and an acceptance hard limit ([IC AHLIM](#)). If the AFM count is less than [AFMNOM - ICRHLIM](#) or greater than [AFMNOM + ICRHLIM](#) then the corresponding [ISR.HARD](#) alarm bit is set to 1, and the clock is marked invalid in the [VALSR1](#) register. If the AFM count is between [AFMNOM - ICAHLIM](#) and [AFMNOM + ICAHLIM](#) then the corresponding [ISR.HARD](#) alarm bit is cleared to 0. Together, the acceptance hard limit and the rejection hard limit allow hysteresis to be configured as required by Telcordia spec GR-1244-CORE.

Example: Assume the input clock is 1Hz and it should be accepted if its frequency offset is less $\pm 9,2$ ppm and rejected if its frequency error is greater than ± 12 ppm. If the master clock is 204.8MHz then the AFM reference clock is 800kHz. The [AFMNOM](#) field should be set to 800,000 (number of AFM reference cycles per input clock cycle). The [IC AHLIM](#) register should be set to 8 (10ppm accept threshold), and the [ICRHLIM](#) register should be set to 9 (11.25ppm reject threshold).

5.5.2.2 Activity Monitoring

The input block monitors each input clock for activity and proper behavior using a leaky bucket accumulator. A leaky bucket accumulator is similar to an analog integrator: the output amplitude increases in the presence of input events and gradually decays in the absence of events. When events occur infrequently, the accumulator value decays fully between events and no alarm is declared. When events occur close enough together, the accumulator increments faster than it can decay and eventually reaches the alarm threshold. After an alarm has been declared, if events occur infrequently enough, the accumulator can decay faster than it is incremented by new events and eventually reaches the alarm clear threshold. The leaky bucket events come from the fast activity monitor.

The leaky bucket accumulator for each input clock has programmable size, alarm declare threshold, alarm clear threshold, and decay rate, all of which are specified in the [ICLB](#) registers.

Activity monitoring is divided into 128ms intervals. The accumulator is incremented once for each 128ms interval in which the input clock is inactive for a few clock cycles (see [Table 5-4](#)). Thus the “fill” rate of the bucket is at most 1 unit per 128ms, or approximately 8 units/second. During each period of 1, 2, 4 or 8 intervals (programmable), the accumulator decrements if no irregularities occur. Thus the “leak” rate of the bucket is approximately 8, 4, 2, or 1 units/second. A leak is prevented when a fill event occurs in the same interval.

When the value of an accumulator reaches the alarm threshold ([ICLBU](#) register), the corresponding [ISR.ACT](#) alarm bit is set to 1, and the clock is marked invalid in the [VALSR1](#) register. When the value of an accumulator reaches the alarm clear threshold ([ICLBL](#) register), the activity alarm is cleared by clearing the clock’s ACT bit. The accumulator cannot increment past the size of the bucket specified in the [ICLBS](#) register. The decay rate of the accumulator is specified in the [ICLBD](#) register. The values stored in the leaky bucket configuration registers must have the following relationship at all times: $ICLBS \geq ICLBU > ICLBL$. If [ICLBS](#) is set to 00h, the leaky bucket count is set to 0, the leaky bucket is disabled, and [ISR.ACT](#) alarm bit is set to 0.

When the leaky bucket is empty, the minimum time to declare an activity alarm in seconds is $ICLBU / 8$. The minimum time to clear an activity alarm in seconds is $2^{ICLBD} \times (ICLBS - ICLBL) / 8$. As an example, assume $ICLBU = 8$, $ICLBL = 1$, $ICLBS = 10$, and $ICLBD = 0$. The minimum time to declare an activity alarm would be $8 / 8 = 1$ second. The minimum time to clear the activity alarm would be $2^0 \times (10 - 1) / 8 = 1.125$ seconds.

Table 5-4. Activity Monitoring, Missing Clock Cycles vs. Frequency

INPUT CLOCK FREQUENCY	NUMBER OF MISSING CLOCK CYCLES
<100 MHz	2
100 – 200 MHz	4
200 – 400 MHz	8
>400 MHz	16

5.5.2.3 Selected Reference Fast Activity Monitoring

The input clock that the DPLL is currently locked to is called the selected reference. The quality of the DPLL’s selected reference is exceedingly important, since missing cycles and other anomalies on the selected reference can cause unwanted jitter, wander or frequency offset on the output clocks. When anomalies occur on the selected reference they must be detected as soon as possible to give the DPLL opportunity to temporarily disconnect from the reference until the reference is available again. By design, the regular input clock activity monitor (the leaky bucket accumulator described in section [5.5.2.2](#)) is too slow to be suitable for monitoring the selected reference. Instead, the input block provides a fast activity monitor that detects inactivity after a few missing clock cycles (see [Table 5-4](#)).

When the fast activity monitor detects a no-activity event, the DPLL immediately enters mini-holdover mode to isolate itself from the selected reference and sets the SRFAIL bit in [PLL1LSR](#). The setting of the SRFAIL bit can cause an interrupt request if the corresponding enable bit is set in [PLL1IER](#). By setting the appropriate [GPIOSS](#) register to xx001011b, a GPIO pin can be configured to follow the state of the SRFAIL status bit. Optionally, a no-activity event can also cause an ultra-fast reference switch (see Section [5.5.3.4](#)). When [DPLL5.NALOL](#) = 0 (default), the DPLL does not declare loss-of-lock during no-activity events. If the selected reference becomes available again before any alarms are declared by the activity monitor or frequency monitor, then the DPLL continues to track the selected reference using nearest-edge locking ($\pm 180^\circ$) to avoid cycle slips. When [NALOL](#) = 1, the DPLL declares loss-of-lock during no-activity events. This causes the DPLL state machine to transition to the loss-of-lock state, which sets the STATE bit in [PLL1LSR](#) and causes an interrupt request if enabled. If the selected reference becomes available again before any alarms are declared by the activity monitor or frequency monitor, then the DPLL tracks the selected reference using phase/frequency locking ($\pm 360^\circ$) until phase lock is reestablished.

5.5.2.4 External Monitoring

Some clock signals come from external components that can monitor the quality of a clock signal or the quality of a signal from which the clock signal is derived. One example is a BITS receiver, which receives a DS1, E1 or 2048kHz synchronization signal and recovers a clock from that signal. A BITS receiver monitors the incoming signal and can declare loss of signal (LOS), loss of frame alignment (LOF) and other defects in the incoming signal. Another example is a synchronous Ethernet PHY, which receives an Ethernet signal and recovers a clock from that signal and can declare loss of lock, loss of codeword alignment and other defects.

When a neighboring component can detect that the incoming signal or the clock recovered from the signal is somehow out of specification, a bad-clock signal from that component can be connected to a GPIO pin on the device. The device can then be configured to squelch the input clock when the bad-clock signal is high by setting `ICCR2.GPIOSQ=1` for that input clock. IC1 is squelched when GPIO1 is high. IC2 is squelched when GPIO2 is high.

5.5.3 Input Clock Priority, Selection and Switching

5.5.3.1 Priority Configuration

During normal operation, the selected reference for the DPLL is chosen automatically based on the priority rankings assigned to the input clocks in the input priority register (`IPR1`). The default input clock priorities are shown in [Table 5-5](#).

Any unused input clock should be given the priority value 0, which disables the clock and marks it as unavailable for selection. Priority 1 is highest while priority 15 is lowest.

Table 5-5. Default Input Clock Priorities

INPUT CLOCK	DPLL DEFAULT PRIORITY
IC1	1
IC2	2

5.5.3.2 Automatic Selection

The reference selection algorithm for the DPLL chooses the highest-priority valid input clock to be the selected reference. The real-time valid/invalid state of each input clock is maintained in the `VALSR1` register (see section [5.5.2](#)). The priority of each input clock is set as described in section [5.5.3.1](#). To select the proper input clock based on these criteria, the selection algorithm maintains a priority table of valid inputs. The top entry in this priority table and the selected reference are displayed in the `PTAB1` register.

If two or more input clocks are given the same priority number then those inputs are prioritized among themselves using a fixed circular list. If one equal-priority clock is the selected reference but becomes invalid then the next equal-priority clock in the list becomes the selected reference. If an equal-priority clock that is not the selected reference becomes invalid, it is simply skipped over in the circular list. The selection among equal-priority inputs is inherently nonrevertive, and revertive switching mode (see next paragraph) has no effect in the case where multiple equal-priority inputs have the highest priority.

An important input to the selection algorithm is the REVERT bit in the `DPLLCR1` register. In revertive mode (`REVERT = 1`), if an input clock with a higher priority than the selected reference becomes valid, the higher priority reference immediately becomes the selected reference. In nonrevertive mode (`REVERT = 0`), the higher priority reference does not immediately become the selected reference but does become the highest priority reference in the priority table (`REF1` field in the `PTAB1` register). (The selection algorithm always switches to the highest-priority valid input when the selected reference goes invalid, regardless of the state of the REVERT bit.) For many applications, nonrevertive mode is preferred because it minimizes disturbances on the output clocks due to reference switching.

In nonrevertive mode, planned switchover to a newly-valid higher priority input clock can be done manually under software control. The validation of the new higher priority clock sets the corresponding status bit in the [ICLSR](#) registers, which can drive an interrupt request if needed. System software can then respond to this change of state by briefly enabling revertive mode (toggling REVERT high then back low) to force the switchover to the higher priority clock.

5.5.3.3 Forced Selection

The [DPLLCR1.FORCE](#) register field provides a way to force a specified input clock to be the selected reference for the DPLL. In this register field, 0 specifies normal operation with automatic reference selection. Nonzero values specify the input clock to be the forced selection. Internally, forcing is accomplished by giving the specified clock the highest priority (as specified in [PTAB1.REF1](#)). In revertive mode ([DPLLCR1.REVERT](#) = 1) the forced clock automatically becomes the selected reference (as specified in [PTAB1.SELREF](#)) as well. In nonrevertive mode the forced clock only becomes the selected reference when the existing selected reference is invalidated or made unavailable for selection.

5.5.3.4 Ultra-Fast Reference Switching

By default, disqualification of the selected reference and switchover to another reference occurs when the activity monitor's inactivity alarm threshold has been crossed, a process that takes on the order of hundreds of milliseconds or seconds. However, an option for extremely fast disqualification and switchover is also available. When ultra-fast switching is enabled ([DPLLCR1.UFSW](#) = 1), if the fast activity monitor detects a few missing clock cycles (see [Table 5-4](#)) it declares the reference failed (by forcing the leaky bucket accumulator to its upper threshold, see [Section 5.5.2.2](#)) and initiates reference switching. This is in addition to setting the SRFAIL bit and optionally generating an interrupt request, as described in [Section 5.5.2.3](#). When ultra-fast switching occurs, the DPLL transitions to the prelocked 2 state, which allows switching to occur faster by bypassing the loss-of-lock state. The device should be in nonrevertive mode when ultra-fast switching is enabled. If the device is in revertive mode, ultra-fast switching could cause excessive reference switching when the highest priority input is intermittent.

5.5.3.5 External Reference Switching Mode

In this mode the SS input pin controls reference switching between the IC1 and IC2 inputs. This mode is enabled by setting the EXT SW bit to 1 in the [DPLLCR1](#) register. In this mode, if the SS pin is high, the DPLL is forced to lock to input IC1 whether or not the selected input has a valid reference signal. If the SS pin is low the DPLL is forced to lock to input IC2 whether or not the selected input has a valid reference signal.

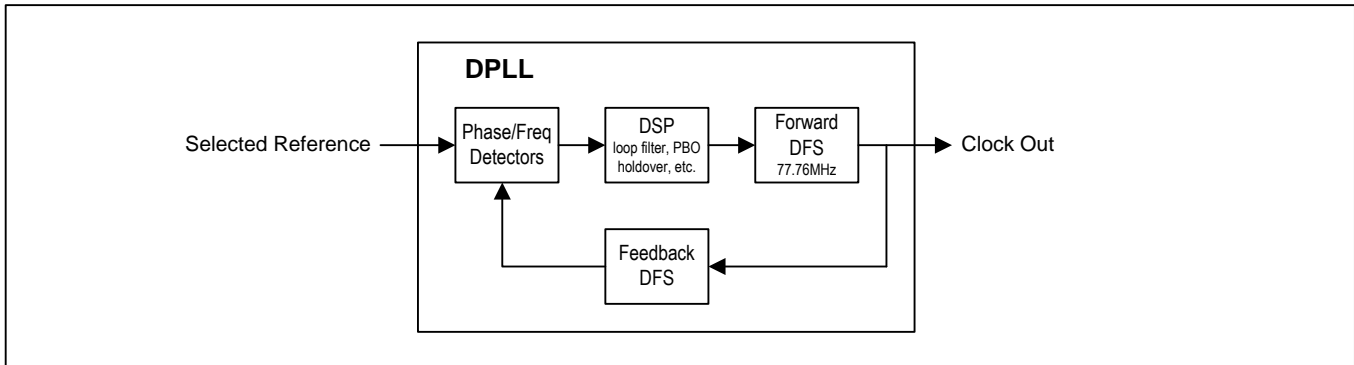
In external reference switching mode the input selector logic behaves as a simple 2:1 mux, and the DPLL is forced to try to lock to the selected reference whether it is valid or not. Unlike forced reference selection ([Section 5.5.3.3](#)) this mode controls the [PTAB1.SELREF](#) field directly and is, therefore, not affected by the state of the [DPLLCR1.REVERT](#) bit. During external reference switching mode, only [PTAB1.SELREF](#) is affected; the REF1 field continues to indicate the highest-priority valid input chosen by the automatic selection logic. The priorities of IC1 and IC2 in the [IPR1](#) register must be non-zero for proper behavior in external reference switching mode.

5.5.3.6 Output Clock Phase Continuity During Reference Switching

If phase build-out is enabled ([DPLLCR6.PBOEN](#) = 1) or the DPLL frequency limit ([HRDLIM](#)) is set to less than ± 30 ppm, the device always complies with the GR-1244-CORE requirement that the rate of phase change must be less than 81ns per 1.326ms during reference switching.

5.6 DPLL Architecture and Configuration

Figure 5-8. DPLL Block Diagram



Digital PLLs have two key benefits: (1) stable, repeatable performance that is insensitive to process variations, temperature, and voltage; and (2) flexible behavior that is easily programmed via configuration registers. DPLLs use digital frequency synthesis (DFS) to generate various clocks. In DFS a high-speed master clock is multiplied up from the local oscillator clock applied to the MCLKOSC pins. This master clock is then digitally divided down to the desired output frequency. The DFS output clock has approximately 40ps RMS jitter.

An APLL can then be used to filter the jitter from the DPLL, reducing the output jitter to less than 1ps RMS, measured over 12kHz to 20MHz.

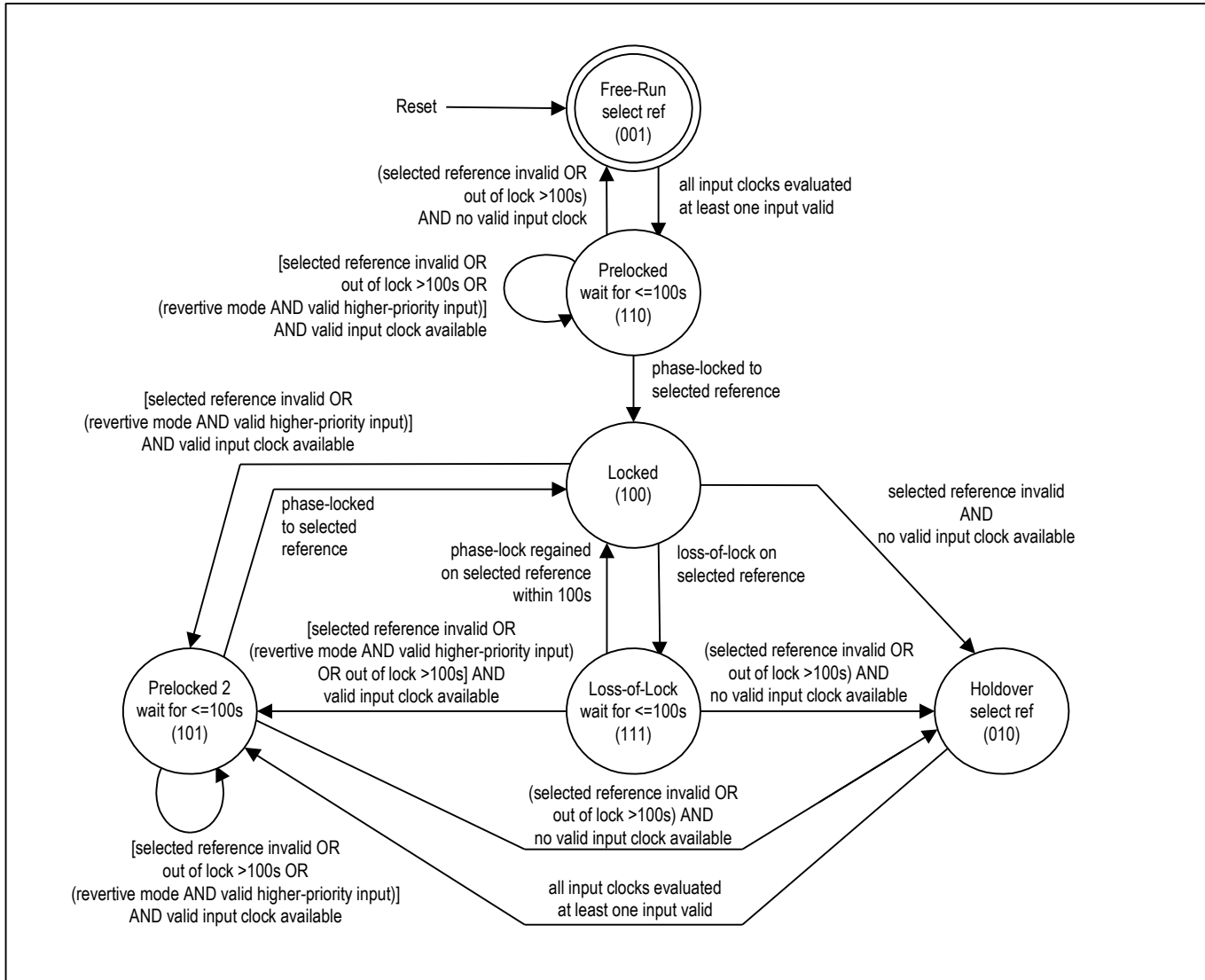
The DPLL in the device is configurable for many PLL parameters including bandwidth, damping factor, input frequency, pull-in/hold-in range, input-to-output phase offset, phase build-out, and more. No knowledge of loop equations or gain parameters is required to configure and operate the device. No external components are required for the DPLL except a local oscillator or crystal connected to the MCLKOSC pins.

5.6.1 DPLL State Machine

The DPLL has three main timing modes: locked, holdover and free-run. The control state machine for the DPLL has states for each timing mode as well as three temporary states: prelocked, prelocked 2 and loss-of-lock. The state transition diagram is shown in [Figure 5-9](#). Descriptions of each state are given in the paragraphs below. During normal operation the state machine controls state transitions. When necessary, however, the state can be forced using the [DPLLCR2.STATE](#) configuration field.

Whenever the DPLL changes state, the STATE bit in [PLL1LSR](#) is set, which can cause an interrupt request if enabled. The current DPLL state can be read from the [PLL1SR.STATE](#).

Figure 5-9. DPLL State Transition Diagram



Notes:

- An input clock is valid when it has no activity alarm, no frequency hard limit alarm, and no phase lock alarm (see the VALSR1 register and the ISR register).
- All input clocks are continuously monitored for activity and frequency.
- Only the selected reference is monitored for loss of lock.
- Phase lock is declared internally when the DPLL has maintained phase lock continuously for approximately 1 to 2 seconds.
- To simplify the diagram, the phase-lock timeout period is always shown as 100s, which is the default value of the PHLKTO register. Longer or shorter timeout periods can be specified as needed by writing the appropriate value to the PHLKTO register.
- When the selected reference is invalid and the DPLL is not in free-run or holdover, the DPLL is in a temporary holdover state.

5.6.1.1 Free-Run State

Free-run is the reset default state. In free-run the DPLL output clock is derived from the local oscillator. The frequency of the output clock is a specific multiple of the local oscillator, and the frequency accuracy of the output clock is equal to the frequency accuracy of the master clock plus the frequency offset specified by the MCFREQ field (see Section 5.3). The state machine transitions from free-run to the prelocked state when a selected reference is available at the input of the DPLL.

5.6.1.2 Prelocked State

The prelocked state provides a 100-second period (default value of **PHLKTO** register) for the DPLL to lock to the selected reference. If phase lock (see Section 5.6.5) is achieved for 2 seconds during this period then the state machine transitions to locked mode.

If the DPLL fails to lock to the selected reference within the phase-lock timeout period specified by **PHLKTO** then a phase lock alarm is raised (corresponding **LOCK** bit set in the **ISR** register), invalidating the input (**ICn** bit goes low in the **VALSR1** register). If the clock selector block determines that another input clock is valid then the DPLL state machine re-enters the prelocked state and tries to lock to the alternate input clock. If no other input clocks are valid for two seconds, then the state machine transitions back to the free-run state. Meanwhile, for the invalidated clock, the phase lock alarm can automatically timeout after an amount of time specified by the **LKATO** register (default 100 seconds) or can be cleared by software writing a 0 to the **LOCK** bit.

In revertive mode (**DPLLCR1.REVERT** = 1), if a higher priority input clock becomes valid during the phase-lock timeout period then the state machine re-enters the prelocked state and tries to lock the higher priority input.

If a phase-lock timeout period longer or shorter than 100 seconds is required for locking, then the **PHLKTO** register must be configured accordingly.

5.6.1.3 Locked State

The DPLL state machine can reach the locked state from the prelocked, prelocked 2, or loss-of-lock states when the DPLL has locked to the selected reference for at least 2 seconds (see Section 5.6.5). In the locked state the output clocks track the phase and frequency of the selected reference.

While in the locked state, if the selected reference is so impaired that an activity alarm is raised (corresponding **ACT** bit set in the **ISR** register), then the selected reference is invalidated (**ICn** bit goes low in the **VALSR1** register), and the state machine immediately transitions to either the prelocked 2 state (if another valid input clock is available) or, after being invalid for 2 seconds, to the holdover state (if no other input clock is valid).

If loss-of-lock (see Section 5.6.5) is declared while in the locked state then the state machine transitions to the loss-of-lock state.

Any of the GPIO pins can be configured to output a signal that is high when the DPLL is in the locked state and low when the DPLL is in any other state. See the **GPIOSS** registers for details.

5.6.1.4 Loss-of-Lock State

When the loss-of-lock detectors (see Section 5.6.5) indicate loss of phase lock, the state machine immediately transitions from the locked state to the loss-of-lock state. In the loss-of-lock state the DPLL tries for 100 seconds (default value of **PHLKTO** register) to regain phase lock. If phase lock is regained during that period for more than 2 seconds, the state machine transitions back to the locked state.

If, during the phase-lock timeout period specified by **PHLKTO**, the selected reference is so impaired that an activity alarm or a hard frequency limit alarm is raised (corresponding **ACT** or **HARD** bit set in the **ISR** register), then the selected reference is invalidated (**ICn** bit goes low in the **VALSR1** register), and after being invalid for 2 seconds the state machine transitions to either the prelocked 2 state (if another valid input clock is available) or the holdover state (if no other input clock is valid).

If phase lock cannot be regained by the end of the phase-lock timeout period then a phase lock alarm is raised (corresponding **LOCK** bit set in the **ISR** register), the selected reference is invalidated (**ICn** bit goes low in **VALSR** registers), and the state machine transitions to either the prelocked 2 state (if another valid input clock is available) or, after being invalid for 2 seconds, to the holdover state (if no other input clock is valid). The phase lock alarm can automatically timeout after an amount of time specified by the **LKATO** register (default 100 seconds) or can be cleared by software writing a 0 to the **LOCK** bit.

Note that if `PHLKTO[5:0]=0` then the phase lock timeout is disabled, and the DPLL can remain indefinitely in the loss-of-lock state. Also, if `LKATO[5:0]=0`, the lock alarm timeout is disabled, and any phase lock alarm remains active until cleared by software writing a 0 to the LOCK bit.

5.6.1.5 Prelocked 2 State

The prelocked and prelocked 2 states are similar. The prelocked 2 state provides a 100-second period (default value of `PHLKTO` register) for the DPLL to lock to the new selected reference. If phase lock (see Section 5.6.5) is achieved for more than 2 seconds during this period then the state machine transitions to locked mode.

If the DPLL fails to lock to the new selected reference within the phase-lock timeout period specified by `PHLKTO` then a phase lock alarm is raised (corresponding LOCK bit set in the `ISR` register), invalidating the input (ICn bit goes low in the `VALSR1` register). If the clock selector block determines that another input clock is valid then the state machine re-enters the prelocked 2 state and tries to lock to the alternate input clock. If no other input clocks are valid for 2 seconds, the state machine transitions to the holdover state. Meanwhile, for the invalidated clock, the phase lock alarm can automatically timeout after an amount of time specified by the `LKATO` register (default 100 seconds) or can be cleared by software writing a 0 to the LOCK bit.

In revertive mode (`DPLLCR1.REVERT = 1`), if a higher priority input clock becomes valid during the phase-lock timeout period then the state machine re-enters the prelocked 2 state and tries to lock to the higher priority input.

If a phase-lock timeout period longer or shorter than 100 seconds is required for locking, then the `PHLKTO` register must be configured accordingly.

5.6.1.6 Holdover State

The device reaches the holdover state when it declares its selected reference invalid for 2 seconds and has no other valid input clocks available. During holdover the DPLL is not phase locked to any input clock but instead generates its output frequency from stored frequency information acquired while it was in the locked state. When at least one input clock has been declared valid the state machine immediately transitions from holdover to the prelocked 2 state and tries to lock to the highest priority valid clock.

5.6.1.6.1 Automatic Holdover

For automatic holdover (`DPLLCR2.HOMODE ≠ 01`), the device can be further configured for instantaneous mode or averaged mode. In *instantaneous mode* (`DPLLCR2.HOMODE = 00`), the holdover frequency is set to the DPLL's current frequency (i.e., the value of the `FREQ` field) 50 to 100 ms before entry into holdover. The `FREQ` field is the DPLL's integral path and therefore is an average frequency with a rate of change inversely proportional to the DPLL bandwidth. The DPLL's proportional path is not used in order to minimize the effect of recent phase disturbances on the holdover frequency.

In *averaged mode* (`DPLLCR2.HOMODE = 10` or `11`), the holdover frequency is set to an internally averaged value. During locked operation the frequency indicated in the `FREQ` field is internally averaged over a 5.8 minute period (fast average, `DPLLCR2.HOMODE = 11`) or a 93.2 minute period (slow average, `DPLLCR2.HOMODE = 10`). The DPLL indicates that it has acquired a valid holdover value by setting the `FHORDY` and `SHORDY` status bit in `PLL1SR` (real-time status) and `PLL1LSR` (latched status). If the DPLL is configured for slow average holdover mode and must enter holdover before the 93.2-minute average is available, then the 5.8-minute average is used, if available. Otherwise the one second average or the instantaneous value from the integral path is used. Similarly, if the DPLL is configured for fast average holdover mode and must enter holdover before the 5.8-minute average is available, then the one-second average or the instantaneous value is used.

Stored holdover values can be reset (erased) by setting `DPLLCR2.HORST` to 1. Typically this would be done when the system knows its new selected reference and its previous selected reference are several ppm apart in frequency. One scenario where this could occur is if the DPLL was previously locked to a poor-quality reference (e.g., ± 20 ppm SONET Minimum Clock) but is now locked to a high quality reference (e.g., a Stratum 1 traceable reference). If system software does not toggle `HORST` after the transition from the poor-quality reference to the high-quality reference then (1) the DPLL continues its averaging process using frequency measurements from the previous reference and gradually including new frequency measurements from the new reference, causing the stored holdover averages to gradually change from the frequency of the previous reference to the frequency of the

new reference over time, (2) the fast and slow holdover averages will not be computed on only the new reference until 5.8 minutes and 93.2 minutes, respectively, after the DPLL locks to the new reference, and (3) the FHORDY and SHORDY bits in [PLL1SR](#) will not be cleared and therefore would not be set again to indicate when the 5.8 minute and 93.2 minute periods have elapsed.

5.6.1.6.2 Manual Holdover

For *manual holdover* ([DPLLCR2.HOMODE](#) = 01), the holdover frequency is set by the [HOFREQ](#) field. The [HOFREQ](#) field has the same size and format as the current frequency field ([FREQ](#)).

If desired, software can, during locked operation, read the current frequency from [FREQ](#), filter or average it over time, and then write the resulting holdover frequency to [HOFREQ](#). When [DPLLCR6.RDAVG](#) = 0, the value read from the [FREQ](#) field is derived from the DPLL's integral path, and thus can be considered a very short-term average frequency with a rate of change inversely proportional to the DPLL bandwidth. When [DPLLCR6.RDAVG](#) ≠ 0, the value read from the [FREQ](#) field is one of the longer-term frequency averages computed by the DPLL: 1 second, 5.8 minutes or 93.2 minutes. The FHORDY and SHORDY status bits, respectively, in [PLL1SR](#) indicate when valid 5.8-minute or 93.2-minute averages are available to be read.

For numerically controlled oscillator (NCO) operation, the [HOFREQ](#) field can be controlled by system software.

5.6.1.7 Mini-Holdover

When the selected reference fails, the fast activity monitor (section [5.5.2.3](#)) isolates the DPLL from the reference within one or two clock cycles to avoid adverse effects on the DPLL frequency. When this fast isolation occurs, the DPLL enters a temporary mini-holdover mode, with a mini-holdover frequency as specified by [DPLLCR2.MINIHO](#). Mini-holdover lasts until the selected reference returns or a new input clock has been chosen as the selected reference or the state machine enters the holdover state.

5.6.2 Bandwidth

The bandwidth of the DPLL is configured by the [DPLLCR3.ABW](#) and [DPLLCR4.LBW](#) fields for various values from 0.5mHz to 400Hz. The [DPLLCR6.AUTOBW](#) bit controls automatic bandwidth selection. When [AUTOBW](#) = 1, the DPLL uses the [ABW](#) bandwidth during acquisition (not phase locked) and the [LBW](#) bandwidth when phase locked. When [AUTOBW](#) = 0 the DPLL uses the [LBW](#) bandwidth all the time, both during acquisition and when phase locked.

When [DPLLCR6.LIMINT](#) = 1, the DPLL's integral path is limited (i.e., frozen) when the DPLL reaches minimum or maximum frequency. Setting [LIMINT](#) = 1 minimizes overshoot when the DPLL is pulling in.

5.6.3 Damping Factor

The damping factor for the DPLL is configured in the [DPLLCR3.ADAMP](#) and [DPLLCR4.LDAMP](#) fields. The reset default damping factor is chosen to give a maximum jitter/wander gain peak of approximately 0.1dB. Available settings are a function of DPLL bandwidth (section [5.6.2](#)). See [Table 5-6](#).

Table 5-6. Damping Factors and Peak Jitter/Wander Gain

BANDWIDTH (Hz)	DAMP[2:0] VALUE	DAMPING FACTOR	GAIN PEAK (dB)
0.1 to 4	1, 2, 3, 4, 5	5	0.1
8	1	2.5	0.2
	2, 3, 4, 5	5	0.1
18	1	1.2	0.4
	2	2.5	0.2
	3, 4, 5	5	0.1
35	1	1.2	0.4

BANDWIDTH (Hz)	DAMP[2:0] VALUE	DAMPING FACTOR	GAIN PEAK (dB)
	2	2.5	0.2
	3	5	0.1
	4, 5	10	0.06
70 to 400	1	1.2	0.4
	2	2.5	0.2
	3	5	0.1
	4	10	0.06
	5	20	0.03

5.6.4 Phase Detectors

Phase detectors are used to compare the DPLL's feedback clock with its input clock. Two phase detectors are available in the DPLL:

Phase/frequency detector (PFD)

Multicycle phase detector (MCPD) for large input jitter tolerance and/or faster lock times

These detectors can be used in combination to give fine phase resolution combined with large jitter tolerance. As with the rest of the DPLL logic, the phase detectors operate at input frequencies up to 77.76MHz. The multicycle phase detector detects and remembers phase differences of many cycles (up to 8191UI). When locking to 8kHz or lower, the normal phase/frequency detector is always used.

The DPLL phase detectors can be configured for normal phase/frequency locking ($\pm 360^\circ$ capture) or nearest-edge phase locking ($\pm 180^\circ$ capture). With nearest-edge locking the phase detectors are immune to occasional missing clock cycles. The DPLL automatically switches to nearest-edge locking when the multicycle phase detector is disabled and the PFD determines that phase lock has been achieved. Setting `DPLLCR5.D180 = 1` disables nearest-edge locking and forces the DPLL to use phase/frequency locking.

The multicycle phase detector is enabled by setting `DPLLCR5.MCPDEN = 1`. The range of the MCPD—from ± 1 UI up to ± 8191 UI—is configured in the `PHLIM.COARSELIM` field. The MCPD tracks phase position over many clock cycles, giving high jitter tolerance.

When `DPLLCR5.USEMCPD = 1`, the MCPD is used in the DPLL loop, giving faster pull-in but more overshoot. In this mode the loop has behavior similar to a scenario where the input clock is divided down and the lock frequency is 8kHz or 2kHz. In both cases large phase differences contribute to the dynamics of the loop. When enabled by `MCPDEN = 1`, the MCPD tracks the phase position whether or not it is used in the DPLL loop.

When the input clock is divided before being sent to the phase detector, the divider output clock edge gets aligned to the feedback clock edge before the DPLL starts to lock to a new input clock signal or after the input clock signal has a temporary signal loss. This helps ensure locking to the nearest input clock edge which reduces output transients and decreases lock times.

5.6.5 Loss of Phase Lock Detection

Loss of phase lock can be triggered by any of the following:

- The fine phase limit
- The coarse limit
- Hard frequency limit
- Inactivity detector

The fine phase limit is enabled by setting `DPLLCR5.FLEN = 1` and configured in the `PHLIM.FINELIM` field.

The coarse phase limit is enabled by setting `DPLLCR5.CLEN = 1` and configured in the `PHLIM.COARSELIM` field. This coarse phase limit is part of the multicycle phase detector (MCPD) described in Section 5.6.4. The `COARSELIM` field sets both the MCPD range and the coarse phase limit, since the two are equivalent. If loss of

phase lock should not be declared for multiple-UI input jitter then the fine phase limit should be disabled and the coarse phase limit should be used instead.

The hard frequency limit detector is enabled by setting `DPLLCCR5.FLLOL = 1`. The hard limit is configured in the `HRDLIM` field. When the DPLL frequency reaches the hard limit, loss-of-lock is declared. The DPLL also has a frequency soft limit specified in the `SOFTLIM` register. Exceeding the soft frequency limit causes the SOFT status bit in the `PLL1SR` register to be set but does not cause loss-of-lock to be declared.

The inactivity detector is enabled by setting `DPLLCCR5.NALOL = 1`. When this detector is enabled the DPLL declares loss-of-lock after the selected reference has a few missing clock cycles (see [Table 5-4](#)).

When the DPLL declares loss of phase lock, the PALARM bit is set in `PLL1SR`, and the state machine immediately transitions to the loss-of-lock state, which sets the STATE bit in the `PLL1LSR` register and causes an interrupt request if enabled.

5.6.6 Phase Monitor and Phase Build-Out

5.6.6.1 Phase Monitor

The DPLL has a phase monitor that measures the phase error between the input clock reference and the DPLL output clock. The phase monitor is enabled by setting `PHMON.PMEN = 1`. When the DPLL is set for low bandwidth, a phase transient on the input causes an immediate phase error that is gradually reduced as the DPLL tracks the input. When the measured phase error exceeds the limit set in the `PHMON.PHMONLIM` field, the phase monitor declares a phase monitor alarm by setting the `PLL1LSR.PHMON`. The `PHMONLIM` field can specify a limit ranging from about 1 μ s to about 3.5 μ s.

5.6.6.2 Phase Build-Out in Response to Input Phase Transients

See Telcordia GR-1244-CORE Section 5.7 for an explanation of phase build-out (PBO) and the requirement for Stratum 3E clocks to perform PBO in response to input phase transients.

When the phase monitor is enabled (as described in Section 5.6.6.1) and `PHMON.PMPBEN = 1`, the DPLL automatically triggers PBO events in response to input transients greater than the limit set in `PHMON.PHMONLIM`. The range of limits available in the `PHMONLIM` field allows the DPLL to be configured to build out input transients greater than 3.5 μ s, greater than 1 μ s, or any threshold in between.

To determine when to perform PBO, the phase monitor watches for phase changes greater than 100ns in a 10ms interval on the selected reference. When such a phase change occurs, an internal 0.1 second timer is started. If during this interval the phase change is greater than the `PHMONLIM` threshold then a PBO event occurs. During a PBO event the device enters a temporary holdover state in which the phase difference between the selected reference and the output is measured and fed into the DPLL loop to absorb the input transient. After a PBO event, regardless of the input phase transient, the output phase transient is less than or equal to 1ns. Phase build-out can be frozen at the current phase offset by setting `DPLLCCR6.PBOFRZ = 1`. When PBO is frozen the DPLL ignores subsequent phase build-out events and maintains the current phase offset between input and outputs.

5.6.6.3 Automatic Phase Build-Out in Response to Reference Switching

When `DPLLCCR6.PBOEN = 0`, phase build-out is not performed during reference switching, and the DPLL always locks to the selected reference at zero degrees of phase. With PBO disabled, transitions from a failed reference to the next highest priority reference and transitions from holdover or free-run to locked mode cause phase transients on output clocks as the DPLL moves from its previous phase to the phase of the new selected reference.

When `DPLLCCR6.PBOEN = 1`, phase build-out is performed during reference switching (or exiting from holdover). With PBO enabled, if the selected reference fails and another valid reference is available then the device enters a temporary holdover state in which the phase difference between the new reference and the output is measured and fed into the DPLL loop to absorb the input phase difference. Similarly, during transitions from full-holdover, mini-holdover or free-run to locked mode, the phase difference between the new reference and the output is measured

and fed into the DPLL loop to absorb the input phase difference. After a PBO event, regardless of the input phase difference, the output phase transient is less than or equal to 1ns.

Any time that PBO is enabled it can also be frozen at the current phase offset by setting `DPLLCR6.PBOFRZ = 1`. When PBO is frozen the DPLL ignores subsequent phase build-out events and maintains the current phase offset between inputs and outputs.

Disabling PBO while the DPLL is not in the free-run or holdover states (locking or locked) will cause a phase change on the output clocks while the DPLL switches to tracking the selected reference with zero degrees of phase error. The rate of phase change on the output clocks depends on the DPLL bandwidth. Enabling PBO (which includes un-freezing) while locking or locked also causes a PBO event.

5.6.6.4 Manual Phase Build-Out Control

Software can have manual control over phase build-out, if required. Initial configuration for manual PBO involves locking to an input clock with frequency $\geq 6.48\text{MHz}$, setting `DPLLCR6.PBOEN = 0` and `PHMON.PMPBEN = 0` to disable automatic phase build-out, and setting `PHMON.PMEN = 1` and the proper phase limit in `PHMON.PHMONLIM` to enable monitoring for a phase transient.

During operation, software can monitor for either a phase transient (`PLL1LSR.PHMON = 1`) or a DPLL state change (`PLL1LSR.STATE = 1`). When either event occurs, software can perform the following procedure to execute a manual phase build-out (PBO) event:

- 1) Read the phase offset from the `PHASE` registers to decide whether or not to initiate a PBO event.
- 2) If a PBO event is desired then save the phase offset and set `DPLLCR6.PBOEN` to cause a PBO event.
- 3) When the PBO event is complete (wait for a timeout and/or `PHASE = 0`), write the manual phase offset registers (`OFFSET`) with the phase offset read earlier. (**Note:** the `PHASE` register is in degrees, the `OFFSET` register is in picoseconds)
- 4) Clear `DPLLCR6.PBOEN` and wait for the next event that may need a manual PBO.

5.6.7 Manual Phase Adjustment

When phase build-out is disabled (`DPLLCR6.PBOEN = 0`), the `OFFSET` field can be used to adjust the phase of the DPLL's output clock with respect to its input clock. Output phase offset can be adjusted over a $\pm 200\text{ns}$ range in 6ps increments. This phase adjustment occurs in the feedback clock so that the output clocks are adjusted to compensate. The rate of change is therefore a function of DPLL bandwidth. Simply writing to the `OFFSET` registers with phase build-out disabled causes a change in the input to output phase, which can be considered to be a delay adjustment. Changing the `OFFSET` adjustment while in free-run or holdover state will not cause an output phase offset until the DPLL enters one of the locking states.

5.6.8 Frequency and Phase Measurement

If the DPLL is otherwise unused, it can be employed as a high-resolution frequency and phase measurement system. As described in Section 5.5.2.1, the input clock frequency monitors report measured frequency with $\sim 1.25\text{ppm}$ resolution. For higher resolution frequency measurement, the DPLL can be used. When the DPLL is locked to an input clock, the frequency of the DPLL, and therefore of the input clock, is reported in the `FREQ` field. This frequency measurement has a resolution of $3.7427766\text{E-}8\text{ppm}$ over a $\pm 80\text{ppm}$ range. The value read from the `FREQ` field is the DPLL's integral path value, which is an averaged measurement with an averaging time inversely proportional to DPLL bandwidth. The reference for frequency measurements is the frequency of the master clock signal plus the frequency offset specified by the `MCFREQ` field.

DPLL phase measurements can be read from the `PHASE` field. This field indicates the phase difference between the input clock and the feedback clock. This phase measurement has a resolution of approximately 0.707 degrees and is internally averaged with a -3dB attenuation point of approximately 100Hz. Thus for low DPLL bandwidths the `PHASE` field gives input phase wander in the frequency band from the DPLL corner frequency up to 100Hz. This information could be used by software to compute a crude MTIE measurement.

5.6.9 Input Wander and Jitter Tolerance

Wander is tolerated up to the point where wander causes an apparent long-term frequency offset larger than the limits specified in the [ICRHLIM](#) register. In such a situation the input clock would be declared invalid. When using the $\pm 360^\circ/\pm 180^\circ$ phase/frequency detector, jitter can be tolerated up to the point of eye closure. The multicycle phase detector (see Section [5.6.4](#)) should be used for high jitter tolerance.

5.6.10 Jitter and Wander Transfer

The transfer of jitter and wander from the selected reference to the output clocks has a programmable transfer function that is determined by the DPLL bandwidth. (See section [5.6.2](#).) The 3dB corner frequency of the jitter transfer function can be set to any of a number of values from 0.5mHz to 400Hz.

During locked mode, the transfer of wander from the local oscillator clock (connected to the MCLKOSC pins) to the output clocks is not significant as long as the DPLL bandwidth is set high enough to allow the DPLL to quickly compensate for oscillator frequency changes. During free-run and holdover modes, local oscillator wander has a much more significant effect. See section [5.3.1](#).

5.6.11 Output Jitter and Wander

Several factors contribute to jitter and wander on the output clocks, including:

- Jitter and wander amplitude on the selected reference (while in the locked state)
- The jitter/wander transfer characteristic of the device (while in the locked state)
- The jitter and wander on the local oscillator clock signal (especially wander while in the holdover state)

The DPLL has programmable bandwidth (see Section [5.6.2](#)). With respect to jitter and wander, the DPLL behaves as a low-pass filter with a programmable pole. The bandwidth of the DPLL is normally set low enough to strongly attenuate jitter. The wander and jitter attenuation depends on the DPLL bandwidth chosen.

Over time frequency changes in the local oscillator can cause a phase difference between the selected reference and the output clocks. This is especially true at lower frequency DPLL bandwidths because the DPLL's rate of change may be slower than the oscillator's rate of change. Oscillators with better stability will minimize this effect.

5.6.12 ± 160 ppm Tracking Range Mode

The DPLL has an optional mode where the resolution and range of all internal frequency offsets are scaled up by a factor of two. This mode is useful in systems where DPLL pull-in and hold-in range must be larger than the normal ± 80 ppm maximum. To enable this mode, set [DPLLCR1.PPM160](#).

When this mode is enabled the value of an lsb and the range of the following fields are doubled: [HRDLIM](#), [SOFTLIM](#), [HOFREQ](#) and [FREQ](#). In addition the DPLL bandwidths listed in [DPLLCR3.ABW](#) and [DPLLCR4.LBW](#) are doubled, and the damping factors listed in [DPLLCR3.ADAMP](#) and [DPLLCR4.LDAMP](#) are multiplied by the square root of 2.

5.7 APLL Configuration

5.7.1 Input Selection and Frequency

5.7.1.1 APLL-Only Mode

In APLL-Only mode ([APLLCR2.APLLMUX=0xx](#)) the APLLs lock to the crystal oscillator, the external oscillator connected to the MCLKOSCP/N pins, the IC1 clock signal or the IC2 clock signal. See section [5.2.1](#) for details and diagrams.

The input to each APLL can be controlled by the SS input pin or by the [APLLCR2.APLLMUX](#) register field. When [APLLCR2.EXTSW=0](#), the [APLLCR2.APLLMUX](#) register field controls the APLL input mux.

When `APLLCR2.EXTSW=1`, the SS input pin controls the APLL input mux. When `SS=0`, the mux selects the input specified by `APLLCR2.APLLMUX`. When `SS=1`, the mux selects the input specified by `APLLCR2.ALTMUX`.

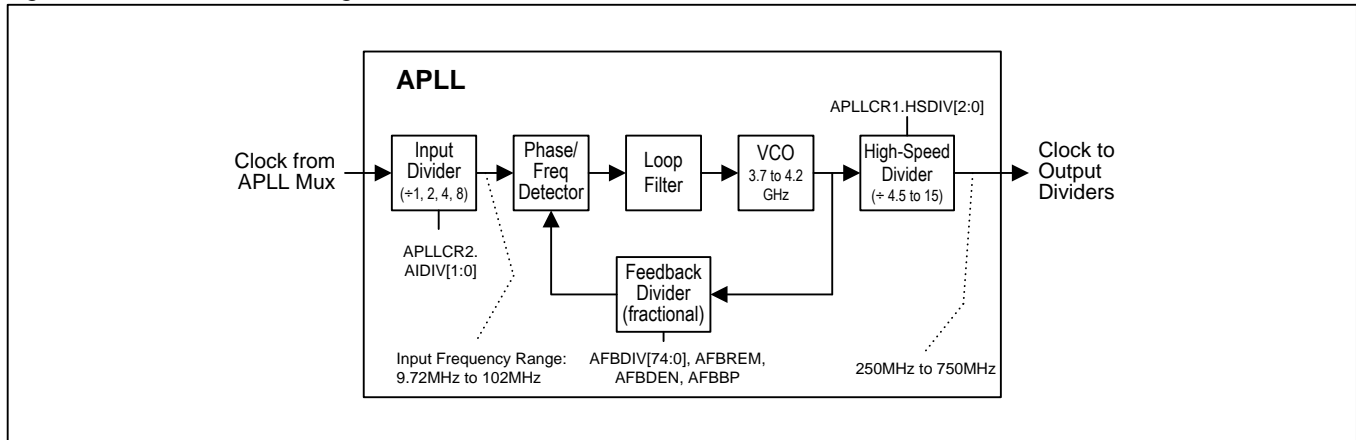
In APLL-Only mode the APLL input signal must be in the range 9.72MHz to 102.4MHz. For faster input frequencies, the APLL's input divider can be configured to divide the signal by 2, 4 or 8 (`APLLCR2.AIDIV`) to get a frequency in the APLL's locking range. Note the higher APLL input frequencies give lower output jitter, all else being equal.

5.7.1.2 DPLL+APLL Mode

In DPLL+APLL mode (`APLLCR2.APLLMUX=100`) APLL1 locks to the DPLL output clock signal while APLL2 synthesizes the master clock for the DPLL and the input block. The DPLL uses digital frequency synthesis (DFS) to synthesize its output clock. The DFS block has two modes of operation. When `DFSCR1.DFSFREQ≠1111`, the DFS block synthesizes one of 15 common telecom, datacom or Nx10MHz frequencies. When `DFSFREQ=1111`, the DFS block is configured for programmable DFS mode in which it can synthesize any multiple of 2kHz from 38.88MHz to 77.76MHz. The MAX24305/MAX24310 EV kit software makes configuration in programmable DFS mode easy.

5.7.2 Output Frequency

Figure 5-10. APLL Block Diagram



An APLL is enabled when `APLLCR1.APLLEN=1`. The APLLs have a fractional-N architecture and therefore can produce output frequencies that are either integer or non-integer multiples of the input clock frequency. Figure 5-10 shows a block diagram of the APLL, which is built around an ultra-low-jitter multi-GHz VCO. Register fields `AFBDIV`, `AFBREM`, `AFBDEN` and `AFBBP` configure the frequency multiplication ratio of the APLL. The `APLLCR1.HSDIV` field specifies how the VCO frequency is divided down by the high-speed divider. Dividing by six is the typical setting to produce 622.08MHz for SDH/SONET or 625MHz for Ethernet applications. The HSDIV divider produces a clock signal with a 50% duty cycle for all divider values including odd numbers.

Internally, the exact APLL feedback divider value is expressed in the form $AFBDIV + AFBREM / AFBDEN * 2^{-(66-AFBBP)}$. This feedback divider value must be chosen such that `APLL_input_frequency * feedback_divider_value` is in the operating range of the VCO (as specified in Table 8-7). The `AFBDIV` term is a fixed-point number with 9 integer bits and a configurable number of fractional bits (up to 66, as specified by `AFBBP`). Typically `AFBBP` is set to 42 to specify that `AFBDIV` has $66 - 42 = 24$ fractional bits. Using more than 24 fractional bits does not yield a detectable benefit. Using less than 12 fractional bits is not recommended.

The following equations show how to calculate the feedback divider values for the situation where the APLL should multiply the APLL input frequency by integer M and also fractionally scale by the ratio of integers N / D. In other words, `VCO_frequency = input_frequency * M * N / D`. An example of this is multiplying 77.76MHz from the DPLL by `M=48` and scaling by `N / D = 255 / 237` for forward error correction applications.

$$AFBDIV = \text{trunc}(M * N / D * 2^{24}) \quad (1)$$

$$\text{lsb_fraction} = M * N / D * 2^{24} - \text{AFBDIV} \quad (2)$$

$$\text{AFBDEN} = D \quad (3)$$

$$\text{AFBREM} = \text{round}(\text{lsb_fraction} * \text{AFBDEN}) \quad (4)$$

$$\text{AFBBP} = 66 - 24 = 42 \quad (5)$$

The trunc() function returns only the integer portion of the number. The round() function rounds the number to the nearest integer. In Equation (1), **AFBDIV** is set to the full-precision feedback divider value, $M * N / D$, truncated after the 24th fractional bit. In Equation (2) the temporary variable 'lsb_fraction' is the fraction that was truncated in Equation (1) and therefore is not represented in the **AFBDIV** value. In Equation (3), **AFBDEN** is set to the denominator of the original $M * N / D$ ratio. In Equation (4), **AFBREM** is calculated as the integer numerator of a fraction (with denominator **AFBDEN**) that equals the 'lsb_fraction' temporary variable. Finally, in Equation (5) **AFBBP** is set to $66 - 24 = 42$ to correspond with **AFBDIV** having 24 fractional bits.

When a fractional scaling scenario involves multiplying an integer M times multiple scaling ratios N_1 / D_1 through N_n / D_n , the equations above can still be used if the numerators are multiplied together to get $N = N_1 * N_2 * \dots * N_n$ and the denominators are multiplied together to get $D = D_1 * D_2 * \dots * D_n$.

Note that one easy way to calculate the exact values to write to the APLL registers is to use the MAX24305/MAX24310 evaluation board software, available on the MAX24305/MAX24310 page of Microsemi's website. This software can be used even when no evaluation board is attached to the computer.

Note: After the APLL's feedback divider settings are configured in register fields **AFBDIV**, **AFBREM**, **AFBDEN** and **AFBBP**, the APLL enable bit **APLLCR1.APPLLEN** must be changed from 0 to 1 to cause the APLL to reacquire lock with the new settings.

5.8 Output Clock Configuration

The MAX24305 has five output clock signals. The MAX24310 has ten output clock signals. Each output has individual divider, enable and signal format controls.

5.8.1 Enable, Signal Format, Voltage and Interfacing

Using the **OCCR2.OCSF** register field, each output pair can be disabled or configured as a CML output, an HSTL output, or one or two CMOS outputs. When an output is disabled it is high impedance and the output driver is in a low-power state. In CMOS mode, the OCxNEG pin can be disabled, in phase or inverted vs. the OCxPOS pin. In CML mode the normal 800mV V_{OD} differential voltage is available as well as a lower-power 400mV V_{OD} . All of these options are specified by **OCCR2.OCSF**.

Device clock outputs are grouped into four banks as shown below:

Bank	MAX24305 Outputs	MAX24310 Outputs
A	OC1, OC2	OC1, OC2
B	OC3	OC3, OC4, OC5
C	OC8	OC6, OC7, OC8
D	OC10	OC9, OC10

Each bank has its own power supply and ground pin to allow CMOS or HSTL signal swing from 1.5V to 3.3V for glueless interfacing to neighboring components. If OCSF is set to HSTL mode then a 1.5V power supply voltage should be used to get a standards-compliant HSTL output.

Note that differential (CML) outputs must have a bank power supply of 3.3V. If other outputs in that bank are configured for CMOS operation, the CMOS outputs will also have a 3.3V power supply. However, CMOS outputs from that bank can be externally attenuated using resistor divider networks if needed.

The differential outputs can be easily interfaced to LVDS, LVPECL, CML, HSTL and other differential inputs on neighboring ICs using a few external passive components. See [App Note HFAN-1.0](#) for details.

5.8.2 Frequency Configuration

The frequency of each output is determined by which APLL it is connected to, the configuration the APLL and the per-output dividers. Each bank of outputs can be connected to either APLL1 or APLL2. The register fields to control the bank muxes are AMUX, BMUX, CMUX and DMUX, respectively, in the [MCR1](#) register.

Each output has two output dividers, a 7-bit medium-speed divider ([OCCR1.MSDIV](#)) and a 24-bit output divider ([OCDIV](#) registers). These dividers are in series, medium-speed divider first then output divider. These dividers produce signals with 50% duty cycle for all divider values including odd numbers.

Since each output has its own independent dividers, the device can output families of related frequencies that have an APLL output frequency as a common multiple. For example, for Ethernet clocks, a 625MHz APLL output clock can be divided by four for some outputs to get 156.25MHz, divided by five for other outputs to get 125MHz, and divided by 25 for other outputs to get 25MHz. Similarly, for SDH/SONET clocks, a 622.08MHz APLL output clock can be divided by 4 to get 155.52MHz, by 8 to get 77.76MHz, by 16 to get 38.88MHz or by 32 to get 19.44MHz.

Various divisors of the APLL output clock can be brought out on any combination of outputs. For the very lowest output jitter, however, frequencies such as 156.25MHz and 125MHz that are not integer divisors of one another should come from separate banks whenever possible.

5.8.3 Phase Adjustment

The phase of an output signal can be shifted by 180° by setting [OCCR1.POL](#)=1. In addition, the phase can be adjusted using the [OCCR3.PHADJ](#) register field. The adjustment is in units of APLL output clock cycles. For example, if the APLL output frequency is 625MHz then one APLL output clock cycle is 1.6ns, the smallest phase adjustment is 0.8ns, and the adjustment range is ±5.6ns.

5.9 Microprocessor Interface

The device presents a SPI slave port on the CS_N, SCLK, SDI, and SDO pins. SPI is a widely used master/slave bus protocol that allows a master and one or more slaves to communicate over a serial bus. The device is always a slave. Masters are typically microprocessors, ASICs or FPGAs. Data transfers are always initiated by the master, which also generates the SCLK signal. The device receives serial data on the SDI pin and transmits serial data on the SDO pin. SDO is high impedance except when the device is transmitting data to the bus master.

Bit Order. The register address and all data bytes are transmitted most significant bit first on both SDI and SDO.

Clock Polarity and Phase. The device latches data on SDI on the rising edge of SCLK and updates data on SDO on the falling edge of SCLK. SCLK does not have to toggle between accesses, i.e., when CS_N is high.

Device Selection. Each SPI device has its own chip-select line. To select the device, the bus master drives its CS_N pin low.

Command and Address. After driving CS_N low, the bus master transmits an 8-bit command followed by a 16-bit register address. The available commands are shown below.

Command	Hex	Bit Order, Left to Right
Write Enable	0x06	0000 0110
Write	0x02	0000 0010
Read	0x03	0000 0011
Read Status	0x05	0000 0101

Read Transactions. The device registers are accessible when **EESEL=0**. The internal EEPROM memory is accessible when **EESEL=1**. See section 6.1.3. After driving CS_N low, the bus master transmits the read command followed by the 16-bit register address. The device then responds with the requested data byte on SDO, increments its address counter, and prefetches the next data byte. If the bus master continues to demand data, the device continues to provide the data on SDO, increment its address counter, and prefetch the following byte. The read transaction is completed when the bus master drives CS_N high. See [Figure 5-11](#).

Register Write Transactions. The device registers are accessible when **EESEL=0**. After driving CS_N low, the bus master transmits the write command followed by the 16-bit register address followed by the first data byte to be written. The device receives the first data byte on SDI, writes it to the specified register, increments its internal address register, and prepares to receive the next data byte. If the master continues to transmit, the device continues to write the data received and increment its address counter. The write transaction is completed when the bus master drives CS_N high. See [Figure 5-13](#).

EEPROM Writes. The EEPROM memory is accessible when **EESEL=1**. After driving CS_N low, the bus master transmits the write enable command and then drives CS_N high to set the internal write enable latch. The bus master then drives CS_N low again and transmits the write command followed by the 16-bit register address followed by the first data byte to be written. The device first copies the page to be written from EEPROM to its page buffer. The device then receives the first data byte on SDI, writes it to its page buffer, increments its internal address register, and prepares to receive the next data byte. If the master continues to transmit, the device continues to write the data received to its page buffer and continues to increment its address counter. The address counter rolls over at the 32-byte boundary (i.e. when the five least-significant address bits are 11111). When the bus master drives CS_N high, device transfers the data in the page buffer to the appropriate page in the EEPROM memory. See [Figure 5-12](#) and [Figure 5-13](#).

EEPROM Read Status. After the bus master drives CS_N high to end an EEPROM write command, the EEPROM memory is not accessible for up to 5ms while the data is transferred from the page buffer. To determine when this transfer is complete, the bus master can use the Read Status command. After driving CS_N low, the bus master transmits the Read Status command. The device then responds with the status byte on SDO. In this byte, the least significant bit is set to 1 if the transfer is still in progress and 0 if the transfer has completed.

Early Termination of Bus Transactions. The bus master can terminate SPI bus transactions at any time by pulling CS_N high. In response to early terminations, the device resets its SPI interface logic and waits for the start of the next transaction. If a register write transaction is terminated prior to the SCLK edge that latches the least significant bit of a data byte, the data byte is not written. If an EEPROM write transaction is terminated prior to the SCLK edge that latches the least significant bit of a data byte, none of the bytes in that write transaction are written.

Design Option: Wiring SDI and SDO Together. Because communication between the bus master and the device is half-duplex, the SDI and SDO pins can be wired together externally to reduce wire count. To support this option, the bus master must not drive the SDI/SDO line when the device is transmitting.

AC Timing. See [Table 8-13](#) and [Figure 8-4](#) for AC timing specifications for the SPI interface.

Figure 5-11. SPI Read Transaction Functional Timing

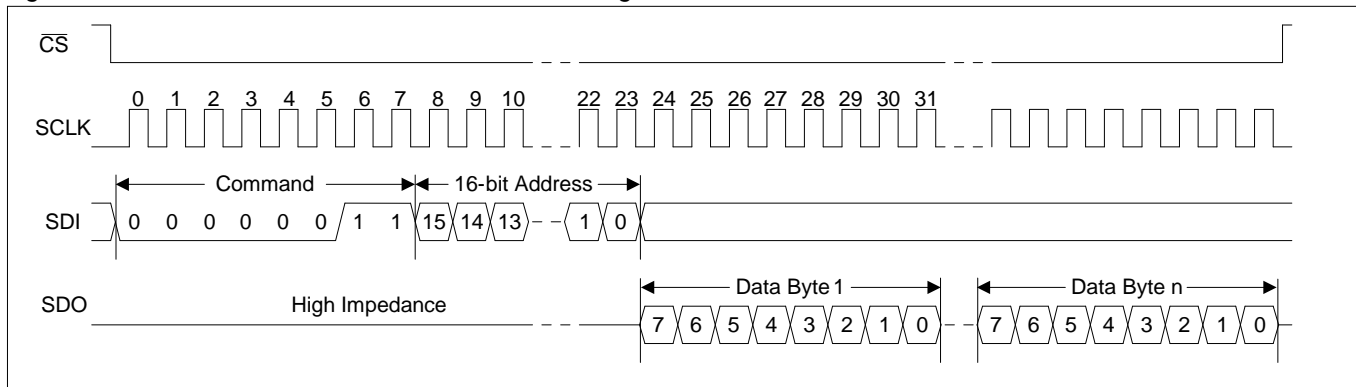


Figure 5-12. SPI Write Enable Transaction Functional Timing

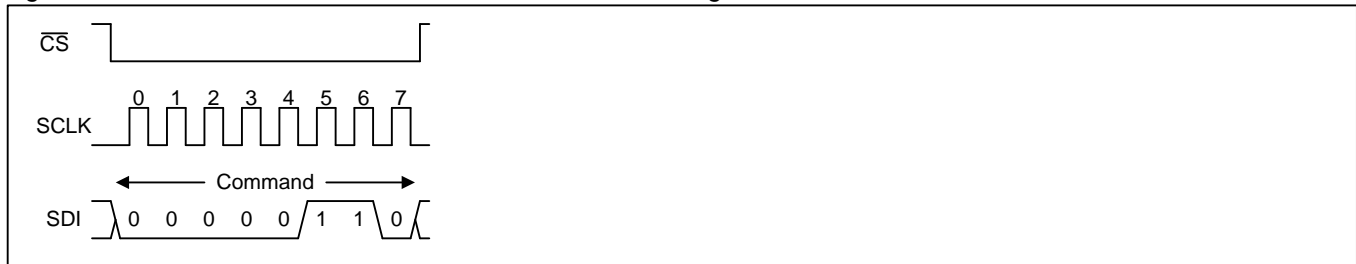
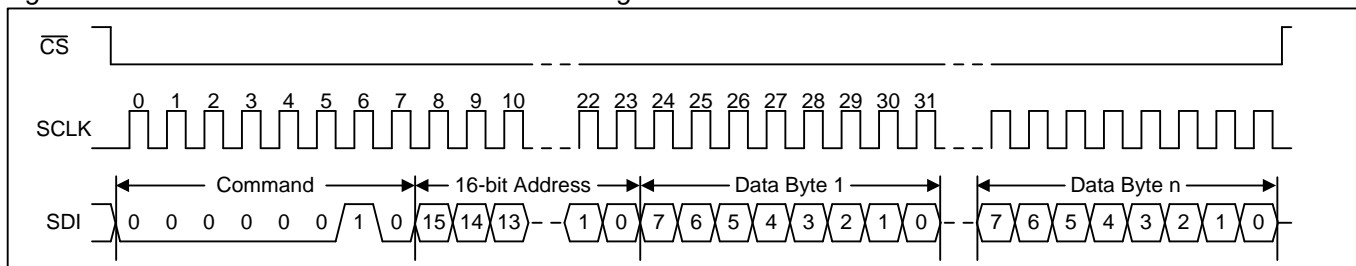


Figure 5-13. SPI Write Transaction Functional Timing



5.10 Reset Logic

The device has three reset controls: the RST_N pin, the RST bit in [MCR1](#), and the JTAG reset pin JTRST_N. The RST_N pin asynchronously resets the entire device, except for the JTAG logic. When the RST_N pin is low all internal registers are reset to their default values, including those fields which latch their default values from, or based on, the states of configuration input pins when the RST_N goes high. **The RST_N pin must be asserted once after power-up while the external oscillator is stabilizing.** Reset should be asserted for at least 100ns.

The [MCR1](#).RST bit resets the entire device (except for the microprocessor interface, the JTAG logic and the RST bit itself), but when RST is active, the register fields with pin-programmed defaults do not latch their values from, or based on, the corresponding input pins. Instead these fields are reset to the default values that were latched when the RST_N pin was last active.

Microsemi recommends holding RST_N low while the external oscillator starts up and stabilizes. An incorrect reset condition could result if RST_N is released before the oscillator has started up completely.

Important: System software must wait at least 100 μ s after reset (RST_N pin or RST bit) is deasserted before initializing the device as described in [section 5.12](#).

5.11 Power-Supply Considerations

Due to the multi-power-supply nature of the device, some I/Os have parasitic diodes between a <3.3V supply and a 3.3V supply. When ramping power supplies up or down, care must be taken to avoid forward-biasing these diodes because it could cause latchup. Two methods are available to prevent this. The first method is to place a Schottky diode external to the device between the <3.3V supply and the 3.3V supply to force the 3.3V supply to be within one parasitic diode drop of the <3.3V supply. The second method is to ramp up the 3.3V supply first and then ramp up the <3.3V supply.

5.12 Initialization and EEPROM Configuration Memory

After power-up or reset, a series of writes must be done to the device to tune it for optimal performance. This series of writes is called the initialization script. Each die revision has a different initialization script. For the latest initialization scripts contact Microsemi timing products technical support. The initialization script must be part of the self-configuration script stored in the device's internal EEPROM memory. The MAX24305/MAX24310 EV kit software automatically includes the correct initialization script in configuration scripts it creates.

6. Register Descriptions

The device has an overall address range from 000h to 1FFh. [Table 6-1](#) in [Section 6.2](#) shows the register map. In each register, bit 7 is the MSB and bit 0 is the LSB. Register addresses not listed and bits marked “—” are reserved and must be written with 0. Writing other values to these registers may put the device in a factory test mode resulting in undefined operation. Bits labeled “0” or “1” must be written with that value for proper operation. Register fields with underlined names are read-only fields; writes to these fields have no effect. All other fields are read-write. Register fields are described in detail in the register descriptions that follow [Table 6-1](#).

6.1 Register Types

6.1.1 Status Bits

The device has two types of status bits. Real-time status bits are read-only and indicate the state of a signal at the time it is read. Latched status bits are set when a signal changes state (low-to-high, high-to-low, or both, depending on the bit) and cleared when written with a logic 1 value. Writing a 0 has no effect. When set, some latched status bits can cause an interrupt request if enabled to do so by corresponding interrupt enable bits. The LOCK bits in the [ISR](#) register are special-case latched status bits because they cannot create an interrupt request, and a “write 0” is needed to clear them.

6.1.2 Configuration Fields

Configuration fields are read-write. During reset, each configuration field reverts to the default value shown in the register definition. Configuration register bits marked “—” are reserved and must be written with 0.

6.1.3 Bank-Switched Registers

To simplify the device’s register map and documentation, some registers are bank-switched, meaning banks of registers are switched in and out of the register map based on the value of a bank-select control field.

At the top level, The [EESSEL](#) register is a bank-select control field that maps the device registers into the memory map at address 0x1 and above when EESSEL=0 and maps the EEPROM memory into the memory map at address 0x1 and above when EESSEL=1. The EESSEL register itself is always in the memory map at address 0x0 for both EESSEL=0 and EESSEL=1.

When EESSEL=0 (device registers) the bank-switched sections of the memory map are: the input clock registers, the APLL registers, and the output clock registers.

The registers for the input clocks are bank-switched in the Input Clock Registers section of [Table 6-1](#). The [ICSEL](#) register is the bank-select control field for the input clock registers.

The registers for the APLLs are bank-switched in the APLL Registers section of [Table 6-1](#). The [APLLSEL](#) register is the bank-select control field for the APLL registers.

The registers for the output clocks are bank-switched in the Output Clock Registers section of [Table 6-1](#). The [OCSEL](#) register is the bank-select control field for the output clock registers.

6.1.4 Multiregister Fields

Multiregister fields—such as [FREQ\[31:0\]](#) in registers [FREQ1](#) through [FREQ4](#)—must be handled carefully to ensure that the bytes of the field remain consistent. A write access to a multiregister field is accomplished by writing all the registers of the field in order from smallest address to largest. Writes to registers other than the last register in the field (i.e. the register with the largest address) are stored in a transfer register. When the last register of the field is written, the entire multiregister field is updated simultaneously from the transfer register. If the last register of the field is not written, the field is not updated. Any reads to the multiregister field that occur during the middle of the multiregister write will read the existing value of the field not the new value in the transfer register.

A read access from a multiregister field is accomplished by reading the registers of the field in order from smallest address to largest. When the first register in the field (i.e. the register with the lowest address) is read, the entire multiregister field is copied to the transfer register. During subsequent reads from the other registers in the multiregister field, the data comes from the transfer register. Any writes to the multiregister field that occur during the middle of the multiregister read will overwrite values in the transfer register.

Each multiregister field has its own transfer register. The same transfer register is used for read and writes. For best results, system software should be organized such that only one software process accesses the device's registers. If two or more processes are allowed to make uncoordinated accesses to the device's registers, their accesses to multiregister fields could interrupt one another leading to incorrect writes and reads of the multiregister fields. The multiregister fields are:

FIELD	REGISTERS	TYPE
MCFREQ[15:0]	MCFREQ1 , MCFREQ2	Read/Write
ICN[15:0]	ICN1 , ICN2	Read/Write
ICD[15:0]	ICD1 , ICD2 , ICD3 , ICD4	Read/Write
FMEAS[15:0]	FMEAS1 , FMEAS2	Read-Only
HRDLIM[9:0]	HRDLIM1 , HRDLIM2	Read/Write
OFFSET[15:0]	OFFSET1 , OFFSET2	Read/Write
PHASE[15:0]	PHASE1 , PHASE2	Read-Only
FREQ[23:0]	FREQ1 , FREQ2 , FREQ3 , FREQ4	Read-Only
HOFREQ[23:0]	HOFREQ1 , HOFREQ2 , HOFREQ3 , HOFREQ4	Read-Only

6.1.5 Input Clock Registers and DPLL Registers

The input clock registers and DPLL registers at addresses 0x50 and above cannot be read or written unless a master clock is provided to the input block and the DPLL. See section [5.2.2](#).

6.2 Register Map

Table 6-1. Register Map

Note: Register names are hyperlinks to register definitions. Underlined fields are read-only.

ADDR	REGISTER	BIT 7	BIT 6	BIT 5	BIT 4	BIT 3	BIT 2	BIT 1	BIT 0
Global Registers									
00h	ESEL	—	—	—	—	—	—	—	ESEL
01	ID1	ID[7:0]							
02	ID2	ID[15:8]							
03	REV	REV[7:0]							
04	PROT	PROT[7:0]							
05	MCR1	RST	ICBEN	DPLEN	—	AMUX	BMUX	CMUX	DMUX
06	MCR2	XIEN	XOEN	IC1EN	IC2EN	MCEN	—	MCDIV[1:0]	
387	MCR3	—	—	—	—	—	—	MCMUX	—
07	APLLSR	—	A2LKIE	A2LKL	<u>A2LK</u>	—	A1LKIE	A1LKL	<u>A1LK</u>
GPIO Registers									
08	GPCR	GPIO4C[1:0]		GPIO3C[1:0]		GPIO2C[1:0]		GPIO1C[1:0]	
09	GPSR	—	—	—	—	<u>GPIO4</u>	<u>GPIO3</u>	<u>GPIO2</u>	<u>GPIO1</u>
0A	GPIO1SS	POL	OD	REG[2:0]			BIT[2:0]		
0B	GPIO2SS	POL	OD	REG[2:0]			BIT[2:0]		
0C	GPIO3SS	POL	OD	REG[2:0]			BIT[2:0]		
0D	GPIO4SS	POL	OD	REG[2:0]			BIT[2:0]		
APLL Registers									
10	APLLSEL	—	—	—	—	—	—	APLLSEL[1:0]	
11	APLLCR1	APLLEN	APLLBYP	DALIGN	—	HSDIV[3:0]			
12	APLLCR2	AIDIV[1:0]		EXTSW	ALTMUX[1:0]		APLLMUX[2:0]		
22	AFBDIV1	AFBDIV[3:0]				—	—	—	—
23	AFBDIV2	AFBDIV[11:4]							
24	AFBDIV3	AFBDIV[19:12]							
25	AFBDIV4	AFBDIV[27:20]							
26	AFBDIV5	AFBDIV[35:28]							
27	AFBDIV6	AFBDIV[43:36]							
28	AFBDIV7	AFBDIV[51:44]							
29	AFBDIV8	AFBDIV[59:52]							
2A	AFBDIV9	AFBDIV[67:60]							
2B	AFBDIV10	—	AFBDIV[74:68]						
2C	AFBDEN1	AFBDEN[7:0]							
2D	AFBDEN2	AFBDEN[15:8]							
2E	AFBDEN3	AFBDEN[23:16]							
2F	AFBDEN4	AFBDEN[31:24]							
30	AFBREM1	AFBREM[7:0]							
31	AFBREM2	AFBREM[15:8]							
32	AFBREM3	AFBREM[23:16]							
33	AFBREM4	AFBREM[31:24]							
34	AFBBP	AFBBP[7:0]							
Output Clock Registers									
40	OCSEL	—	—	—	—	OCSEL[3:0]			
41	OCCR1	—	MSDIV[6:0]						

ADDR	REGISTER	BIT 7	BIT 6	BIT 5	BIT 4	BIT 3	BIT 2	BIT 1	BIT 0	
42	OCCR2	—	—	DRIVE[1:0]		OCSF[3:0]				
43	OCCR3	PHADJ[3:0]			—	POL	ASQUEL	DALEN		
44	OCDIV1	OCDIV[7:0]								
45	OCDIV2	OCDIV[15:8]								
46	OCDIV3	OCDIV[23:16]								
Input Clock Registers										
50	ICSEL	—	—	—	ICSEL[3:0]					
51	ICCR1	ICEN	POL	IFREQR[1:0]		LKFREQ[3:0]				
52	ICCR2	—	GPIO SQ	FMONCLK[1:0]		—	SOFTEN	HARDEN	FREN	
53	ICCR3	—	—	—	NSEN	FMONLEN[3:0]				
54	ICN1	ICN[7:0]								
55	ICN2	ICN[15:8]								
56	ICD1	ICD[7:0]								
57	ICD2	ICD[15:8]								
58	ICD3	ICD[23:16]								
59	ICD4	ICD[31:24]								
5A	ICLBU	ICLBU[7:0]								
5B	ICLBL	ICLBL[7:0]								
5C	ICLBS	ICLBS[7:0]								
5D	ICLBD	—	—	—	—	—	—	ICLBD[1:0]		
5E	ICAH LIM	ICAH LIM[7:0]								
5F	ICRH LIM	ICRH LIM[7:0]								
60	ICSLIM	ICSLIM[7:0]								
61	FMEAS1	FMEAS[7:0]								
62	FMEAS2	FMEAS[15:8]								
63	ICCR4	—	—	—	—	—	FMRES	—	AFM	
64	AFMNOM1	AFMNOM[7:0]								
65	AFMNOM2	AFMNOM[15:8]								
66	AFMNOM3	—	—	—	—	AFMNOM[19:16]				
DPLL Registers										
71	DPLL CR1	EXTSW	UFSW	REVERT	PPM160	FORCE[3:0]				
72	DPLL CR2	HOMODE[1:0]		MINIHO[1:0]		HORST	STATE[2:0]			
73	DPLL CR3	ADAMP[2:0]			ABW[4:0]					
74	DPLL CR4	LDAMP[2:0]			LBW[4:0]					
75	DPLL CR5	NALOL	FLOL	FLEN	CLEN	MCPDEN	USEMCPD	D180	PFD180	
76	DPLL CR6	AUTOBW	LIMINT	PBOEN	PBOFRZ	—	—	RDAVG[1:0]		
78	PHMON	NW	—	PMEN	PMPBEN	PHMONLIM[3:0]				
79	PHLIM	—	FINELIM[2:0]			COARSELIM[3:0]				
7A	PHLKTO	PHLKTOM[1:0]		PHLKTO[5:0]						
7B	LKATO	LKATOM[1:0]		LKATO[5:0]						
7C	HRDLIM1	HRDLIM[7:0]								
7D	HRDLIM2	HRDLIM[15:8]								
7E	SOFTLIM	SOFTLIM[7:0]								
80	OFFSET1	OFFSET[7:0]								
81	OFFSET2	OFFSET[15:8]								
82	VALCR1	—	—	—	—	—	—	IC2	IC1	
83	IPR1	PRI2[3:0]				PRI1[3:0]				
85	PTAB1	REF1[3:0]				SELREF[3:0]				
86	PTAB2	—	—	—	—	REF2[3:0]				

ADDR	REGISTER	BIT 7	BIT 6	BIT 5	BIT 4	BIT 3	BIT 2	BIT 1	BIT 0
87	PHASE1	PHASE[7:0]							
88	PHASE2	PHASE[15:8]							
89	FREQ1	FREQ[7:0]							
8A	FREQ2	FREQ[15:8]							
8B	FREQ3	FREQ[23:16]							
8C	FREQ4	FREQ[31:24]							
8D	DFSCR1	DFSFREQ[3:0]				—	—	—	—
8E	MCFREQ1	MCFREQ[7:0]							
8F	MCFREQ2	MCFREQ[15:8]							
90	MCDNOM1	MCDNOM[7:0]							
91	MCDNOM2	MCDNOM[15:8]							
92	MCDNOM3	MCDNOM[23:16]							
93	MCDNOM4	—	—	—	—	—	—	MCDNOM[25:24]	
94	MCINOM1	MCINOM[7:0]							
95	MCINOM2	MCINOM[15:8]							
96	MCINOM3	—	—	—	—	—	—	—	MCINOM16
97	MCAC1	MCAC[7:0]							
98	MCAC2	—	—	—	—	—	—	—	MCAC[8]
9C	HOFREQ1	HOFREQ[7:0]							
9D	HOFREQ2	HOFREQ[15:8]							
9E	HOFREQ3	HOFREQ[23:16]							
9F	HOFREQ4	HOFREQ[31:24]							
24A	PBTIMER	—	—	—	—	PBTIMER[3:0]			
DPLL and Input Block Status Registers and Interrupt Enables									
A0	PLL1SR	—	FHORDY	SHORDY	PALARM	SOFT	STATE[2:0]		
A1	PLL1LSR	MCFAIL	FHORDY	SHORDY	STATE	SRFAIL	NOIN	PHMON	—
A2	VALSR1	—	—	—	—	—	—	IC2	IC1
A3	ICLSR1	—	—	—	—	—	—	IC2	IC1
A4	ISR1	SOFT2	HARD2	ACT2	LOCK2	SOFT1	HARD1	ACT1	LOCK1
A6	PLL1IER	MCFAIL	FHORDY	SHORDY	STATE	SRFAIL	NOIN	PHMON	—
A7	ICIER1	—	—	—	—	—	—	IC2	IC1

6.3 Register Definitions

6.3.1 Global Registers

Register Name: EESEL
Register Description: EEPROM Memory Selection Register
Register Address: 00h

	Bit 7	Bit 6	Bit 5	Bit 4	Bit 3	Bit 2	Bit 1	Bit 0
Name	—	—	—	—	—	—	—	EESEL
Default	0	0	0	0	0	0	0	0

Bit 0: EEPROM Memory Select (EESEL). This bit is a bank-select that specifies whether device register space or EEPROM memory is mapped into addresses 0x1 and above. See sections 5.9 and 6.1.3.

0 = Device registers
 1 = EEPROM memory

Register Name: ID1
Register Description: Device Identification Register, LSB
Register Address: 01h

	Bit 7	Bit 6	Bit 5	Bit 4	Bit 3	Bit 2	Bit 1	Bit 0
Name	ID[7:0]							
Default	see below							

Bits 7 to 0: Device ID (ID[7:0]). The full 16-bit ID field spans this register and [ID2](#).
 MAX24305: ID[15:0] = 0x00C2.
 MAX24310: ID[15:0] = 0x00C3.

Register Name: ID2
Register Description: Device Identification Register, MSB
Register Address: 02h

	Bit 7	Bit 6	Bit 5	Bit 4	Bit 3	Bit 2	Bit 1	Bit 0
Name	ID[15:8]							
Default	0	0	0	0	0	0	0	0

Bits 7 to 0: Device ID (ID[15:8]). See the [ID1](#) register description.

Register Name: REV
Register Description: Device Revision Register
Register Address: 03h

	Bit 7	Bit 6	Bit 5	Bit 4	Bit 3	Bit 2	Bit 1	Bit 0
Name	REV[7:0]							
Default	0	0	0	0	0	0	0	0

Bits 7 to 0: Device Revision (REV[7:0]). Contact the factory to interpret values not listed below and determine the latest revision.
 0 = Revision A
 1 = Revision B

Register Name: PROT
Register Description: Protection Register
Register Address: 04h

	Bit 7	Bit 6	Bit 5	Bit 4	Bit 3	Bit 2	Bit 1	Bit 0
Name	PROT[7:0]							
Default	1	0	0	0	0	1	0	1

Bits 7 to 0: Protection Control (PROT[7:0]). This field can be used to protect the rest of the register set from inadvertent writes. In protected mode writes to all other registers are ignored. In single unprotected mode, one register (other than PROT) can be written, but after that write the device reverts to protected mode (and the value of PROT is internally changed to 00h). In fully unprotected mode all register can be written without limitation. See section [5.1](#).

1000 0101 = Fully unprotected mode
 1000 0110 = Single unprotected mode
 All other values = Protected mode

Register Name: MCR1
Register Description: Master Configuration Register 1
Register Address: 05h

	Bit 7	Bit 6	Bit 5	Bit 4	Bit 3	Bit 2	Bit 1	Bit 0
Name	RST	ICBEN	DPLLEN	—	AMUX	BMUX	CMUX	DMUX
Default	0	0	0	0	0	0	0	0

Bit 7: Device Reset (RST). When this bit is high the entire device is held in reset, and all register fields, except the RST bit itself, are reset to their default states. When RST is active, the register fields with pin-programmed defaults do not latch their values from the corresponding input pins. Instead these fields are reset to the default values that were latched from the pins when the RST pin was last active. See section 5.10.

0 = Normal operation
 1 = Reset

Bit 6: Input block Enable (ICBEN). This field enables or disables the input block. See section 5.2.1 and section 5.4. Note that APLL2 also must be enabled and properly configured to operate the input block.

0 = Disable (powered down)
 1 = Enable

Bit 5: DPLL Enable (DPLLEN). This field enables or disables the DPLL. See section 5.2.1. Note that APLL2 also must be enabled and properly configured to operate the DPLL.

0 = Disable (powered down)
 1 = Enable

Bit 3: Bank A Mux Control (AMUX). This field selects the source APLL for the bank A outputs. See the block diagram in Figure 2-1 and section 5.8.2.

0 = APLL1
 1 = APLL2

Bit 2: Bank B Mux Control (BMUX). This field selects the source APLL for the bank B outputs. See the block diagram in Figure 2-1 and section 5.8.2.

0 = APLL1
 1 = APLL2

Bit 1: Bank C Mux Control (CMUX). This field selects the source APLL for the bank C outputs. See the block diagram in Figure 2-1 and section 5.8.2.

0 = APLL1
 1 = APLL2

Bit 0: Bank D Mux Control (DMUX). This field selects the source APLL for the bank D outputs. See the block diagram in Figure 2-1 and section 5.8.2.

0 = APLL1
 1 = APLL2

Register Name: MCR2
Register Description: Master Configuration Register 2
Register Address: 06h

	Bit 7	Bit 6	Bit 5	Bit 4	Bit 3	Bit 2	Bit 1	Bit 0
Name	XIEN	XOEN	IC1EN	IC2EN	MCEN	—	MCDIV[1:0]	
Default	0	0	0	0	0	0	0	0

Bit 7: XIN Enable (XIEN). This field enables/disables the XIN pin and the XO analog circuitry. See section 5.3.2.
 0 = Disable
 1 = Enable

Bit 6: XOUT Enable (XOEN). This field enables and disables the XOUT pin driver. When XOUT is disabled the external crystal is not driven and the XO doesn't oscillate. See section 5.3.2.
 0 = Disable (high impedance)
 1 = Enable (XO amplifier drives external crystal)

Bit 5: IC1POS/NEG Enable (IC1EN). This field enables and disables the IC1POS/NEG differential receiver. The power consumption for the differential receiver is shown in Table 8-2. See section 5.4.
 0 = Disable (power down)
 1 = Enable

Bit 4: IC2POS/NEG Enable (IC2EN). This field enables and disables the IC2POS/NEG differential receiver. The power consumption for the differential receiver is shown in Table 8-2. See section 5.4.
 0 = Disable (power down)
 1 = Enable

Bit 3: MCLKOSCP/N Enable (MCEN). This field enables and disables the MCLKOSCP/N differential receiver. The power consumption for the differential receiver is shown in Table 8-2. See section 5.3.3.
 0 = Disable (power down)
 1 = Enable

Bits 1 to 0: Master Clock Divider Value (MCDIV[1:0]). This field specifies the setting for master clock divider. The master clock divider takes the APLL2 output frequency and divides it down to a master clock frequency in the range 190MHz to 208.333MHz for use by the input block and DPLL. The value MCDIV=0 disables the divider to reduce power consumption and noise generation. See section 5.3.3.
 00 = Disabled, output low
 01 = Divide by 2
 10 = Divide by 3
 11 = Divide by 4

Register Name: MCR3
Register Description: Master Configuration Register 3
Register Address: 387h

	Bit 7	Bit 6	Bit 5	Bit 4	Bit 3	Bit 2	Bit 1	Bit 0
Name	—	—	—	—	—	—	MCMUX	—
Default	0	0	0	0	0	1	0	0

Bit 2: When this bit is set to 1 the self-configuration controller's oscillator remains enabled after self-configuration is complete. This bit should be set to 0 at the end of the self-configuration script to minimize device output jitter.

Bit 1: Master Clock Mux (MCMUX). This bit controls the master clock mux. This mux, shown in Figure 2-1, selects between the master clock output of APLL2 and the signal on the MCLKOSCP/N pins. See section 5.2.2.
 0 = APLL2 master clock output
 1 = MCLKOSCP/N pins

Register Name: APLLSR
Register Description: APLL Status Register
Register Address: 07h

	Bit 7	Bit 6	Bit 5	Bit 4	Bit 3	Bit 2	Bit 1	Bit 0
Name	—	A2LKIE	A2LKL	A2LK	—	A1LKIE	A1LKL	A1LK
Default	0	0	0	0	0	0	0	0

Bit 6: APLL2 Lock Interrupt Enable (A2LKIE). This bit is an interrupt enable for the A2LKL bit.
 0 = Mask the interrupt
 1 = Enable the interrupt

Bit 5: APLL2 Lock Latched Status (A2LKL). This latched status bit is set to 1 when the A2LK status bit changes state (set or cleared). A2LKL is cleared when written with a 1. When A2LKL is set it can cause an interrupt request if the A2LKIE interrupt enable bit is set.

Bit 4: APLL2 Lock Status (A2LK). This real-time status bit indicates the lock status of APLL2.
 0 = Not locked
 1 = Locked

Bit 2: APLL1 Lock Interrupt Enable (A1LKIE). This bit is an interrupt enable for the A1LKL bit.
 0 = Mask the interrupt
 1 = Enable the interrupt

Bit 1: APLL1 Lock Latched Status (A1LKL). This latched status bit is set to 1 when the A1LK status bit changes state (set or cleared). A1LKL is cleared when written with a 1. When A1LKL is set it can cause an interrupt request if the A1LKIE interrupt enable bit is set.

Bit 0: APLL1 Lock Status (A1LK). This real-time status bit indicates the lock status of APLL1.
 0 = Not locked
 1 = Locked

6.3.2 GPIO Registers

Register Name: GPCR
Register Description: GPIO Configuration Register
Register Address: 08h

	Bit 7	Bit 6	Bit 5	Bit 4	Bit 3	Bit 2	Bit 1	Bit 0
Name	GPIO4C[1:0]		GPIO3C[1:0]		GPIO2C[1:0]		GPIO1C[1:0]	
Default	0	0	0	0	0	0	0	0

Bits 7 to 6: GPIO4 Configuration (GPIO4C[1:0]). When [DPLLCR1.EXTSW=0](#) and [APLLCR2.EXTSW=0](#), the SS/GPIO4 pin behaves as GPIO4, and this field configures the GPIO4 pin as a general-purpose input a general-purpose output driving low or high, or a status output. When GPIO4 is an input its current state can be read from [GPSR.GPIO4](#). When GPIO4 is a status output, the [GPIO4SS](#) register specifies which status bit is output. When [DPLLCR1.EXTSW=1](#) or [APLLCR2.EXTSW=1](#) the SS/GPIO4 pin behaves as SS and this field is ignored.

- 00 = General-purpose input
- 01 = Status output
- 10 = General-purpose output driving low
- 11 = General-purpose output driving high

Bits 5 to 4: GPIO3 Configuration (GPIO3C[1:0]). This field configures the GPIO3 pin as a general-purpose input, a general-purpose output driving low or high, or a status output. When GPIO3 is an input its current state can be read from [GPSR.GPIO3](#). When GPIO3 is a status output, the [GPIO3SS](#) register specifies which status bit is output.

- 00 = General-purpose input
- 01 = Status output
- 10 = General-purpose output driving low
- 11 = General-purpose output driving high

Bits 3 to 2: GPIO2 Configuration (GPIO2C[1:0]). This field configures the GPIO2 pin as a general-purpose input, a general-purpose output driving low or high, or a status output. When GPIO2 is an input its current state can be read from [GPSR.GPIO2](#). When GPIO2 is a status output, the [GPIO2SS](#) register specifies which status bit is output.

- 00 = General-purpose input
- 01 = Status output
- 10 = General-purpose output driving low
- 11 = General-purpose output driving high

Bits 1 to 0: GPIO1 Configuration (GPIO1C[1:0]). This field configures the GPIO1 pin as a general-purpose input, a general-purpose output driving low or high, or a status output. When GPIO1 is an input its current state can be read from [GPSR.GPIO1](#). When GPIO1 is a status output, the [GPIO1SS](#) register specifies which status bit is output.

- 00 = General-purpose input
- 01 = Status output
- 10 = General-purpose output driving low
- 11 = General-purpose output driving high

Register Name: GPSR
Register Description: GPIO Status Register
Register Address: 09h

	Bit 7	Bit 6	Bit 5	Bit 4	Bit 3	Bit 2	Bit 1	Bit 0
Name	—	—	—	—	<u>GPIO4</u>	<u>GPIO3</u>	<u>GPIO2</u>	<u>GPIO1</u>
Default	0	0	0	0	0	0	0	0

Bit 3: GPIO4 State (GPIO4). This bit indicates the current state of the GPIO4 pin.
 0 = low
 1 = high

Bit 2: GPIO3 State (GPIO3). This bit indicates the current state of the GPIO3 pin.
 0 = low
 1 = high

Bit 1: GPIO2 State (GPIO2). This bit indicates the current state of the GPIO2 pin.
 0 = low
 1 = high

Bit 0: GPIO1 State (GPIO1). This bit indicates the current state of the GPIO1 pin.
 0 = low
 1 = high

Register Name: GPIO1SS
Register Description: GPIO1 Status Select Register
Register Address: 0Ah

	Bit 7	Bit 6	Bit 5	Bit 4	Bit 3	Bit 2	Bit 1	Bit 0
Name	POL	OD	REG[2:0]			BIT[2:0]		
Default	0	0	0	0	0	0	0	0

Bit 7: Pin Polarity (POL).
 0 = Normal: GPIO pin has the same polarity as the status bit it follows
 1 = Inverted: GPIO pin has inverted polarity vs. the status bit it follows

Bit 6: Open-Drain Enable (OD).
 0 = Push-Pull: GPIO pin is driven in both inactive and active state
 1 = Open-Drain: GPIO pin is driven in the active state but is high impedance in the inactive state

Bits 5 to 3: Status Register (REG[2:0]). When `GPCR.GPIO1C=01`, this field specifies the register of the status bit that GPIO1 will follow while the BIT field below specifies the status bit within the register. Setting the combination of this field and the BIT field below to point to a bit that isn't implemented as a real-time or latched status register bit results in GPIO1 being driven low.

- 000 – 100 = The address of the status bit that GPIO1 follows is `A0h + REG[2:0]`
- 101 = APLL Lock. The address of the status bit that GPIO follows is `07h` (APLLSR register)
- 110 = DPLL Lock Output: GPIO1 is active when `PLL1SR.STATE=Locked` (100b) and inactive otherwise
- 111 = Interrupt Output: GPIO1 is active when a latched status bit and its corresponding interrupt enable bit are both active. The POL and OD bits define pin behavior for the active and inactive states.

Bits 2 to 0: Status Bit (BIT[2:0]). When `GPCR.GPIO1C=01`, the REG field above specifies the register of the status bit that GPIO1 will follow while this field specifies the status bit within the register. Setting the combination of the REG field and this field to point to a bit that isn't implemented as a real-time or latched status register bit results in GPIO1 being driven low. 000=bit 0 of the register. 111=bit 7 of the register.

Register Name: GPIO2SS
Register Description: GPIO2 Status Select Register
Register Address: 0Bh

	Bit 7	Bit 6	Bit 5	Bit 4	Bit 3	Bit 2	Bit 1	Bit 0
Name	POL	OD	REG[2:0]			BIT[2:0]		
Default	0	0	0	0	0	0	0	0

These fields are identical to those in [GPIO1SS](#) except they control GPIO2.

Register Name: GPIO3SS
Register Description: GPIO3 Status Select Register
Register Address: 0Ch

	Bit 7	Bit 6	Bit 5	Bit 4	Bit 3	Bit 2	Bit 1	Bit 0
Name	POL	OD	REG[2:0]			BIT[2:0]		
Default	0	0	0	0	0	0	0	0

These fields are identical to those in [GPIO1SS](#) except they control GPIO3.

Register Name: GPIO4SS
Register Description: GPIO4 Status Select Register
Register Address: 0Dh

	Bit 7	Bit 6	Bit 5	Bit 4	Bit 3	Bit 2	Bit 1	Bit 0
Name	POL	OD	REG[2:0]			BIT[2:0]		
Default	0	0	0	0	0	0	0	0

These fields are identical to those in [GPIO1SS](#) except they control GPIO4.

6.3.3 APLL Registers

Register Name: APLLSEL
Register Description: APLL Select Register
Register Address: 10h

	Bit 7	Bit 6	Bit 5	Bit 4	Bit 3	Bit 2	Bit 1	Bit 0
Name	—	—	—	—	—	—	APLLSEL[1:0]	
Default	0	0	0	0	0	0	0	1

Bits 1 to 0: APLL Select (APLLSEL[1:0]). This field is a bank-select control that specifies the APLL for which registers are mapped into the APLL Registers section of [Table 6-1](#). See [Section 6.1.3](#).

- 00 = {unused value}
- 01 = APLL1
- 10 = APLL2
- 11 = {unused value}

Register Name: APLLCR1
Register Description: APLL Configuration Register 1
Register Address: 11h

	Bit 7	Bit 6	Bit 5	Bit 4	Bit 3	Bit 2	Bit 1	Bit 0
Name	APLLEN	APLLBYP	DALIGN	—	HSDIV[3:0]			
Default	0	0	0	0	0	0	0	0

The APLL registers are bank-selected by the [APLLSEL](#) register. See [section 6.1.3](#).

Bit 7: APLL Enable (APLLEN). This bit enables and disables the APLL. When unused, the APLL should be disabled to reduce power consumption. See [section 5.7.2](#).

- 0 = Disabled
- 1 = Enabled

Bit 6: APLL Bypass (APLLBYP). This bit controls an internal bypass mux in the APLL.

- 0 = Normal APLL operation
- 1 = APLL bypass: the APLL input signal is routed directly to the APLL output

Bit 5: Align Output Dividers (DALIGN). A 0 to 1 transition on this bit causes a simultaneous reset of the medium-speed dividers and the output clock dividers for all output clocks where [OCCR3.DALEN](#)=1. After this reset all [DALEN](#)=1 output clocks with frequencies that are exactly integer multiples of one another will be falling-edge aligned. This bit should be set then cleared once during system startup. Setting this bit during normal system operation can cause phase jumps in the output clock signals.

Bits 3 to 0: APLL High-Speed Divider (HSDIV[3:0]). This bit controls the high-speed divider block in the APLL (see [Figure 5-10](#)). See [section 5.7.2](#).

- | | |
|----------------------|---------------------|
| 0000 = Divide by 6 | 1000 = Divide by 8 |
| 0001 = Divide by 4.5 | 1001 = Divide by 9 |
| 0010 = Divide by 5 | 1010 = Divide by 10 |
| 0011 = Divide by 5.5 | 1011 = Divide by 11 |
| 0100 = Divide by 6 | 1100 = Divide by 12 |
| 0101 = Divide by 6.5 | 1101 = Divide by 13 |
| 0110 = Divide by 7 | 1110 = Divide by 14 |
| 0111 = Divide by 7.5 | 1111 = Divide by 15 |

Register Name: APLLCR2
Register Description: APLL Configuration Register 2
Register Address: 12h

	Bit 7	Bit 6	Bit 5	Bit 4	Bit 3	Bit 2	Bit 1	Bit 0
Name	AIDIV[1:0]		EXTSW	ALTMUX[1:0]		APLLMUX[2:0]		
Default	0	0	0	0	0	0	0	0

The APLL registers are bank-selected by the [APLLSEL](#) register. See section [6.1.3](#).

Bits 7 to 6: APLL Input Divider (AIDIV). This field controls the APLL input divider. See [Figure 5-10](#).

- 00 = Divide by 1
- 01 = Divide by 2
- 10 = Divide by 4
- 11 = Divide by 8

Bit 5: APLL External Switching Mode (EXTSW). This bit enables APLL external reference switching mode. In this mode, if the SS pin is low the APLL input mux is controlled by [APLLCR2.APLLMUX](#). If the the SS pin is high the APLL input mux is controlled by [APLLCR2.ALTMUX](#). See section [5.7.1.1](#)

Bits 4 to 3: APLL Alternate Mux Control (ALTMUX[1:0]). When [APLLCR2.EXTSW](#)=0 this field is ignored. When [APLLCR2.EXTSW](#)=1 and the SS pin is high this field controls the APLL input mux. See section [5.7.1.1](#).

- 00 = IC1 input
- 01 = IC2 input
- 10 = Crystal oscillator (XO) block if crystal is connected, otherwise XIN input
- 11 = MCLKOSCP/N pins

Bits 2 to 0: APLL Mux Control (APLLMUX[2:0]). By default this field controls the APLL input mux. See the block diagram in [Figure 2-1](#) for the location of this mux. When [APLLCR2.EXTSW](#)=1 and the SS pin is high, this field is ignored, and the APLL's clock source is specified by [APLLCR2.ALTMUX](#). See section [5.7.1.1](#). When [APLLMUX](#)=0xx for APLL1, the input block and DPLL are bypassed and can be powered down. See section [5.2](#).

- 000 = IC1 input
- 001 = IC2 input
- 010 = Crystal oscillator (XO) block if crystal is connected, otherwise XIN input
- 011 = MCLKOSCP/N pins
- 100 = DPLL output (when DPLL master clock comes from APLL2; this decode only valid for APLL1)
- 110 = DPLL output (when DPLL master clock comes from MCLKOSCP/N pins)
- 111 = DPLL output (only use in APLL bypass, i.e. when [APLLCR1.APLLBY](#)=1; test/debug mode only)

Register Name: AFBDIV1
Register Description: APLL Feedback Divider Register 1
Register Address: 22h

	Bit 7	Bit 6	Bit 5	Bit 4	Bit 3	Bit 2	Bit 1	Bit 0
Name	AFBDIV[3:0]				—	—	—	—
Default	0	0	0	0	0	0	0	0

The APLL registers are bank-selected by the [APLLSEL](#) register. See section [6.1.3](#).

Bits 7 to 4: APLL Feedback Divider Register (AFBDIV[3:0]). The full 75 bit AFBDIV[74:0] field spans the AFBDIV1 through AFBDIV10 registers. AFBDIV is an unsigned number with 9 integer bits (AFBDIV[74:66]) and up to 66 fractional bits. AFBDIV specifies the fixed-point term of the APLL's fractional feedback divide value. The value AFBDIV=0 is undefined. Unused least significant bits must be written with 0. See section [5.7.2](#).

Register Name: AFBDIV2
Register Description: APLL Feedback Divider Register 2
Register Address: 23h

	Bit 7	Bit 6	Bit 5	Bit 4	Bit 3	Bit 2	Bit 1	Bit 0
Name	AFBDIV[11:4]							
Default	0	0	0	0	0	0	0	0

Bits 7 to 0: APLL Feedback Divider Register (AFBDIV[11:4]). See the [AFBDIV1](#) register description.

Register Name: AFBDIV3
Register Description: APLL Feedback Divider Register 3
Register Address: 24h

	Bit 7	Bit 6	Bit 5	Bit 4	Bit 3	Bit 2	Bit 1	Bit 0
Name	AFBDIV[19:12]							
Default	0	0	0	0	0	0	0	0

Bits 7 to 0: APLL Feedback Divider Register (AFBDIV[19:12]). See the [AFBDIV1](#) register description.

Register Name: AFBDIV4
Register Description: APLL Feedback Divider Register 4
Register Address: 25h

	Bit 7	Bit 6	Bit 5	Bit 4	Bit 3	Bit 2	Bit 1	Bit 0
Name	AFBDIV[27:20]							
Default	0	0	0	0	0	0	0	0

Bits 7 to 0: APLL Feedback Divider Register (AFBDIV[27:20]). See the [AFBDIV1](#) register description.

Register Name: AFBDIV5
Register Description: APLL Feedback Divider Register 5
Register Address: 26h

	Bit 7	Bit 6	Bit 5	Bit 4	Bit 3	Bit 2	Bit 1	Bit 0
Name	AFBDIV[35:28]							
Default	0	0	0	0	0	0	0	0

Bits 7 to 0: APLL Feedback Divider Register (AFBDIV[35:28]). See the [AFBDIV1](#) register description.

Register Name: AFBDIV6
Register Description: APLL Feedback Divider Register 6
Register Address: 27h

	Bit 7	Bit 6	Bit 5	Bit 4	Bit 3	Bit 2	Bit 1	Bit 0
Name	AFBDIV[43:36]							
Default	0	0	0	0	0	0	0	0

Bits 7 to 0: APLL Feedback Divider Register (AFBDIV[43:36]). See the [AFBDIV1](#) register description.

Register Name: AFBDIV7
Register Description: APLL Feedback Divider Register 7
Register Address: 28h

	Bit 7	Bit 6	Bit 5	Bit 4	Bit 3	Bit 2	Bit 1	Bit 0
Name	AFBDIV[51:44]							
Default	0	0	0	0	0	0	0	0

Bits 7 to 0: APLL Feedback Divider Register (AFBDIV[51:44]). See the [AFBDIV1](#) register description.

Register Name: AFBDIV8
Register Description: APLL Feedback Divider Register 8
Register Address: 29h

	Bit 7	Bit 6	Bit 5	Bit 4	Bit 3	Bit 2	Bit 1	Bit 0
Name	AFBDIV[59:52]							
Default	0	0	0	0	0	0	0	0

Bits 7 to 0: APLL Feedback Divider Register (AFBDIV[59:52]). See the [AFBDIV1](#) register description.

Register Name: AFBDIV9
Register Description: APLL Feedback Divider Register 9
Register Address: 2Ah

	Bit 7	Bit 6	Bit 5	Bit 4	Bit 3	Bit 2	Bit 1	Bit 0
Name	AFBDIV[67:60]							
Default	0	0	0	0	0	0	0	0

Bits 7 to 0: APLL Feedback Divider Register (AFBDIV[67:60]). See the [AFBDIV1](#) register description.

Register Name: AFBDIV10
Register Description: APLL Feedback Divider Register 10
Register Address: 2Bh

	Bit 7	Bit 6	Bit 5	Bit 4	Bit 3	Bit 2	Bit 1	Bit 0
Name	—	AFBDIV[74:68]						
Default	0	0	0	0	0	0	0	0

Bits 7 to 0: APLL Feedback Divider Register (AFBDIV[74:68]). See the [AFBDIV1](#) register description.

Register Name: AFBDEN1
Register Description: APLL Feedback Divider Denominator Register 1
Register Address: 2Ch

	Bit 7	Bit 6	Bit 5	Bit 4	Bit 3	Bit 2	Bit 1	Bit 0
Name	AFBDEN[7:0]							
Default	0	0	0	0	0	0	0	1

The APLL registers are bank-selected by the [APLLSEL](#) register. See section [6.1.3](#).

Bits 7 to 0: APLL Feedback Divider Denominator Register (AFBDEN[7:0]). The full 32-bit AFBDEN[31:0] field spans AFBDEN1 through AFBDEN4 registers. AFBDEN is an unsigned integer that specifies the denominator of the APLL's fractional feedback divide value. The value AFBDEN=0 is undefined. When AFBBP=0, [AFBDEN](#) must be set to 1. See section [5.7.2](#).

Register Name: AFBDEN2
Register Description: APLL Feedback Divider Denominator Register 2
Register Address: 2Dh

	Bit 7	Bit 6	Bit 5	Bit 4	Bit 3	Bit 2	Bit 1	Bit 0
Name	AFBDEN[15:8]							
Default	0	0	0	0	0	0	0	0

Bits 7 to 0: APLL Feedback Divider Denominator Register (AFBDEN[15:8]). See the [AFBDEN1](#) register description.

Register Name: AFBDEN3
Register Description: APLL Feedback Divider Denominator Register 3
Register Address: 2Eh

	Bit 7	Bit 6	Bit 5	Bit 4	Bit 3	Bit 2	Bit 1	Bit 0
Name	AFBDEN[23:16]							
Default	0	0	0	0	0	0	0	0

Bits 7 to 0: APLL Feedback Divider Denominator Register (AFBDEN[23:16]). See the [AFBDEN1](#) register description.

Register Name: AFBDEN4
Register Description: APLL Feedback Divider Denominator Register 4
Register Address: 2Fh

	Bit 7	Bit 6	Bit 5	Bit 4	Bit 3	Bit 2	Bit 1	Bit 0
Name	AFBDEN[31:24]							
Default	0	0	0	0	0	0	0	0

Bits 7 to 0: APLL Feedback Divider Denominator Register (AFBDEN[31:24]). See the [AFBDEN1](#) register description.

Register Name: AFBREM1
Register Description: APLL Feedback Divider Remainder Register 1
Register Address: 30h

	Bit 7	Bit 6	Bit 5	Bit 4	Bit 3	Bit 2	Bit 1	Bit 0
Name	AFBREM[7:0]							
Default	0	0	0	0	0	0	0	0

The APLL registers are bank-selected by the [APLLSEL](#) register. See section [6.1.3](#).

Bits 7 to 0: APLL Feedback Divider Remainder Register (AFBREM[7:0]). The full 32-bit AFBDEN[31:0] field spans AFBREM1 through AFBREM4 registers. AFBREM is an unsigned integer that specifies the remainder of the APLL's fractional feedback divider value. When AFBBP=0, [AFBREM](#) must be set to 0. See section [5.7.2](#).

Register Name: AFBREM2
Register Description: APLL Feedback Divider Remainder Register 2
Register Address: 31h

	Bit 7	Bit 6	Bit 5	Bit 4	Bit 3	Bit 2	Bit 1	Bit 0
Name	AFBREM[15:8]							
Default	0	0	0	0	0	0	0	0

Bits 7 to 0: APLL Feedback Divider Remainder Register (AFBREM[15:8]). See the [AFBREM1](#) register description.

Register Name: AFBREM3
Register Description: APLL Feedback Divider Remainder Register 3
Register Address: 32h

	Bit 7	Bit 6	Bit 5	Bit 4	Bit 3	Bit 2	Bit 1	Bit 0
Name	AFBREM[23:16]							
Default	0	0	0	0	0	0	0	0

Bits 7 to 0: APLL Feedback Divider Remainder Register (AFBREM[23:16]). See the [AFBREM1](#) register description.

Register Name: AFBREM4
Register Description: APLL Feedback Divider Remainder Register 4
Register Address: 33h

	Bit 7	Bit 6	Bit 5	Bit 4	Bit 3	Bit 2	Bit 1	Bit 0
Name	AFBREM[31:24]							
Default	0	0	0	0	0	0	0	0

Bits 7 to 0: APLL Feedback Divider Remainder Register (AFBREM[31:24]). See the [AFBREM1](#) register description.

Register Name: AFBBP
Register Description: APLL Feedback Divider Truncate Bit Position
Register Address: 34h

	Bit 7	Bit 6	Bit 5	Bit 4	Bit 3	Bit 2	Bit 1	Bit 0
Name	AFBBP[7:0]							
Default	0	0	0	0	0	0	0	0

The APLL registers are bank-selected by the [APLLSEL](#) register. See section [6.1.3](#).

Bits 7 to 0: APLL Feedback Divider Truncate Bit Position (AFBBP[7:0]). This unsigned integer specifies the number of fractional bits that are valid in the [AFBDIV](#) value. There are 66 fractional bits in AFBDIV. The value in this AFBBP field specifies $66 - \text{number_of_valid_AFBDIV_fractional_bits}$. When AFBBP=0 all 66 AFBDIV fractional bits are valid. When AFBBP=42, the most significant 24 AFBDIV fractional bits are valid and the least significant 42 bits must be set to 0. This register field is only used when the feedback divider value is expressed in the form [AFBDIV](#) + [AFBREM](#) / [AFBDEN](#). AFBBP values greater than 66 are invalid. When AFBBP=0, [AFBREM](#) must be set to 0 and [AFBDEN](#) must be set to 1. See section [5.7.2](#).

6.3.4 Output Clock Registers

Register Name: OCSEL
Register Description: Output Clock Select Register
Register Address: 40h

	Bit 7	Bit 6	Bit 5	Bit 4	Bit 3	Bit 2	Bit 1	Bit 0
Name	0	0	0	0	OCSEL[3:0]			
Default	0	0	0	0	0	0	0	1

Bits 3 to 0: Output Clock Select (OCSEL[2:0]). This field is a bank-select control that specifies the output clock for which registers are mapped into the Output Clock Registers section of [Table 6-1](#). See section [6.1.3](#).

- 0000 = {unused value}
- 0001 = Output clock 1
- 0010 = Output clock 2
- 0011 = Output clock 3
- 0100 = Output clock 4 (MAX24310 only)
- 0101 = Output clock 5 (MAX24310 only)
- 0110 = Output clock 6 (MAX24310 only)
- 0111 = Output clock 7 (MAX24310 only)
- 1000 = Output clock 8
- 1001 = Output clock 9 (MAX24310 only)
- 1010 = Output clock 10
- 1011 to 1111 = {unused value}

Register Name: OCCR1
Register Description: Output Clock Configuration Register 1
Register Address: 41h

	Bit 7	Bit 6	Bit 5	Bit 4	Bit 3	Bit 2	Bit 1	Bit 0
Name	—	MSDIV[6:0]						
Default	0	0	0	0	0	0	0	0

The output clock registers are bank-selected by the [OCSEL](#) register. See section [6.1.3](#).

Bits 6 to 0: Medium-Speed Divider Value (MSDIV[6:0]). This field specifies the setting for the output clock's medium-speed divider. The divisor is MSDIV+1. Note that MSDIV must be set to a value that causes the output clock of the medium-speed divider to be 312.5MHz or less. See section [5.8.2](#).

Register Name: OCCR2
Register Description: Output Clock Configuration Register 2
Register Address: 42h

	Bit 7	Bit 6	Bit 5	Bit 4	Bit 3	Bit 2	Bit 1	Bit 0
Name	—	—	DRIVE[1:0]		OCSF[3:0]			
Default	0	0	0	0	0	0	0	0

The output clock registers are bank-selected by the [OCSEL](#) register. See section [6.1.3](#).

Bits 5 to 4: CMOS/HSTL Output Drive Strength (DRIVE[1:0]). The CMOS/HSTL output drivers have four equal sections that can be enabled or disabled to achieve four different drive strengths from 1x to 4x. When the output power supply VDDOx is 3.3V or 2.5V, the user should start with 1x and only increase drive strength if the output is highly loaded and signal transition time is unacceptable. When VDDOx is 1.8V or 1.5V the user should start with 4x and only decrease drive strength if the output signal has unacceptable overshoot.

- 00 = 1x
- 01 = 2x
- 10 = 3x
- 11 = 4x

Bits 3 to 0: Output Clock Signal Format (OCSF[3:0]). See section [5.8.1](#).

- 0000 = Disabled (high-impedance, low power mode)
- 0001 = CML, standard swing ($V_{OD}=800mV_{P-P}$ typical)
- 0010 = CML, narrow swing ($V_{OD}=400mV_{P-P}$ typical)
- 0011 = {unused value}
- 0100 = One CMOS, OCxPOS enabled, OCxNEG high impedance
- 0101 = Two CMOS, OCxNEG in phase with OCxPOS
- 0110 = Two CMOS, OCxNEG inverted vs. OCxPOS
- 0111 = HSTL (Set [OCCR2.DRIVE=11](#) (4x) to meet JESD8-6)

Register Name: OCCR3
Register Description: Output Clock Configuration Register 3
Register Address: 43h

	Bit 7	Bit 6	Bit 5	Bit 4	Bit 3	Bit 2	Bit 1	Bit 0
Name	PHADJ[3:0]				—	POL	ASQUEL	DALEN
Default	0	0	0	0	0	0	0	0

The output clock registers are bank-selected by the [OCSEL](#) register. See section [6.1.3](#).

Bits 7 to 4: Output Clock Phase Adjustment (PHADJ[3:0]). This field can be used to adjust the phase of output OCxPOS/NEG vs. the phase of other clock outputs. The adjustment is in units of APLL output clock cycles. For example, if the APLL output frequency is 625MHz then one APLL output clock cycle is 1.6ns, the smallest phase adjustment is 0.8ns, and the adjustment range is ± 5.6 ns. See section [5.8.3](#).

0000 = 0 APLL output clock cycles	1000 = -1.0 APLL output clock cycles
0001 = 0.5	1001 = -0.5
0010 = 1.0	1010 = -2.0
0011 = 1.5	1011 = -1.5
0100 = 2.0	1100 = -3.0
0101 = 2.5	1101 = -2.5
0110 = 3.0	1110 = -4.0
0111 = 3.5	1111 = -3.5

Bit 2: Polarity (POL). This bit specifies the polarity of the output clock signal. When [OCCR2.OCSF](#) configures the output for one of the 2x CMOS modes, POL=1 inverts both CMOS outputs vs. the polarity they have when POL=0. See section [5.8.3](#).

- 0 = Normal
- 1 = Inverted

Bit 1: Auto-Squelch Enable (ASQUEL). This bit enables automatic squelching of the output clock whenever the DPLL has no selected reference ([PTAB1.SELREF](#) = 0). When a CMOS output is squelched it is forced low. When a differential output is squelched, its POS pin is forced low and its NEG pin is forced high..

- 0 = Auto-squelch disabled
- 1 = Auto-squelch enabled

Bit 0: Divider Align Enable (DALEN). This bit enables alignment of the output clock's medium-speed divider and output clock divider when the [APLLCR1.DALIGN](#) bit is set to 1. For best results, this signal should be set to 1 for at least 2ms then set back to 0.

- 0 = Do not align the output clock dividers
- 1 = Align the output clock dividers

Register Name: OCDIV1
Register Description: Output Clock Divider Register 1
Register Address: 44h

	Bit 7	Bit 6	Bit 5	Bit 4	Bit 3	Bit 2	Bit 1	Bit 0
Name	OCDIV[7:0]							
Default	0	0	0	0	0	0	0	0

The output clock registers are bank-selected by the [OCSEL](#) register. See section [6.1.3](#).

Bits 7 to 0: Output Clock Divider (OCDIV[7:0]). The full 24-bit OCDIV[23:0] field spans this register, [OCDIV2](#) and [OCDIV3](#). OCDIV is an unsigned integer. The frequency of the clock from the medium-speed divider is divided by OCDIV+1 to make the output clock signal. See section [5.8.2](#).

Register Name: OCDIV2
Register Description: Output Clock Divider Register 2
Register Address: 45h

	Bit 7	Bit 6	Bit 5	Bit 4	Bit 3	Bit 2	Bit 1	Bit 0
Name	OCDIV[15:8]							
Default	0	0	0	0	0	0	0	0

The output clock registers are bank-selected by the [OCSEL](#) register. See section [6.1.3](#).

Bits 7 to 0: Output Clock Divider (OCDIV[15:8]). See the [OCDIV1](#) register description.

Register Name: OCDIV3
Register Description: Output Clock Divider Register 3
Register Address: 46h

	Bit 7	Bit 6	Bit 5	Bit 4	Bit 3	Bit 2	Bit 1	Bit 0
Name	OCDIV[23:16]							
Default	0	0	0	0	0	0	0	0

The output clock registers are bank-selected by the [OCSEL](#) register. See section [6.1.3](#).

Bits 7 to 0: Output Clock Divider (OCDIV[23:16]). See the [OCDIV1](#) register description.

6.3.5 Input Clock Registers

Note: The input clock registers cannot be read or written unless a master clock is provided to the input block and the DPLL. See section 5.2.2.

Note: When the input block is disabled (**MCR1.ICBEN=0**) all input clock register fields, except **ICCR1.ICEN**, are ignored by the device and should be ignored by system software.

Register Name: ICSEL
Register Description: Input Clock Select Register
Register Address: 50h

	Bit 7	Bit 6	Bit 5	Bit 4	Bit 3	Bit 2	Bit 1	Bit 0
Name	0	0	0	0	ICSEL[3:0]			
Default	0	0	0	0	0	0	0	1

Bits 3 to 0: Input Clock Select (ICSEL[3:0]). This field is the bank-select control that specifies the input clock for which registers are mapped into the Input Clock Registers section of [Table 6-1](#). See section 6.1.3.

- 0000 = {unused value}
- 0001 = IC1 input
- 0010 = IC2 input
- 0011 to 1111 = {unused values}

Register Name: ICCR1
Register Description: Input Clock Configuration Register 1
Register Address: 51h

	Bit 7	Bit 6	Bit 5	Bit 4	Bit 3	Bit 2	Bit 1	Bit 0
Name	ICEN	POL	IFREQR[1:0]			LKFREQ[3:0]		
Default	0	0	0	0	0	1	1	1

The input clock registers are bank-selected by the [ICSEL](#) register. See section [6.1.3](#).

Bit 7: Input Clock Enable (ICEN). This field enables and disables the input clock's differential receiver. The power consumption numbers for the differential receiver and the crystal oscillator are shown in [Table 8-2](#). See section [5.4](#).

- 0 = Disable (power down)
- 1 = Enable

Bit 6: Locking Polarity (POL). This field specifies which input clock signal edge the DPLL will lock to. See section [5.5.1](#).

- 0 = Falling edge
- 1 = Rising edge

Bits 5 to 4: Input Frequency Range (IFREQR[1:0]). This field specifies the approximate frequency of the input clock at the device pins. This field must be set correctly for proper operation of the fractional scaling block. See section [5.5.1](#).

- 00 = Input clock frequency < 100MHz
- 01 = 100MHz <= input clock frequency < 200MHz
- 10 = 200MHz <= input clock frequency < 400MHz
- 11 = Input clock frequency >= 400MHz

Bits 3 to 0: DPLL Lock Frequency (LKFREQ[3:0]). The input clock frequency is optionally scaled by the ratio $(ICN+1) / (ICD+1)$ before being presented to the DPLL. This field specifies the frequency at which the DPLL locks to the scaled signal. See section [5.5.1](#).

- 0000 = 2kHz*
- 0001 = 8kHz*
- 0010 = 64kHz*
- 0011 = 1.544MHz
- 0100 = 2.048MHz
- 0101 = 6.312MHz
- 0110 = 6.48MHz
- 0111 = 19.44MHz
- 1000 = 25.92MHz
- 1001 = 1MHz
- 1010 = 2.5MHz
- 1011 = 25MHz
- 1100 = 31.25MHz
- 1101 = 10.24MHz
- 1110 = 1Hz (requires 1Hz initialization script, contact the factory for details)
- 1111 = undefined

* Note lock frequencies of 2kHz, 8kHz and 64kHz should not be used with fractional scaling (i.e. when $ICN > 0$) because the the fractional scaling block may generate wander.

Register Name: ICCR2
Register Description: Input Clock Configuration Register 2
Register Address: 52h

	Bit 7	Bit 6	Bit 5	Bit 4	Bit 3	Bit 2	Bit 1	Bit 0
Name	—	GPIOSQ	FMONCLK[1:0]	—	SOFTEN	HARDEN	FREN	
Default	0	0	0	0	0	1	1	

The input clock registers are bank-selected by the [ICSEL](#) register. See section [6.1.3](#).

Bit 6: GPIO Squelch (GPIOSQ). When this bit is high, the input clock is squelched in the input clock block when the associated GPIO pin is high. IC1 is squelched when GPIO1 is high. IC2 is squelched when GPIO2 is high. This bit has no effect on the input clock signal going to the APLL muxes.

0 = Disable

1 = Enable

Bits 5 to 4: Frequency Monitor Clock Source (FMONCLK[1:0]). This field specifies the reference clock source for the input clock frequency monitor. See section [5.5.2.1](#).

00 = Internal master clock

01 = DPLL output

10, 11 = {unused values}

Bit 2: Soft Frequency Alarm Enable (SOFTEN). This bit enables input clock frequency monitoring with the soft alarm limits set in the [ICSLIM](#) register. Soft alarms are reported in the SOFT status bits of the [ISR](#) register. See section [5.5.2.1](#).

0 = Disabled

1 = Enabled

Bit 1: Hard Frequency Limit Enable (HARDEN). This bit enables input clock frequency monitoring with the hard alarm limits set in the [ICAH LIM](#) and [ICRH LIM](#) registers. Hard alarms are reported in the HARD status bits of the [ISR](#) register. See section [5.5.2.1](#).

0 = Disabled

1 = Enabled

Bit 0: Frequency Range Detect Enable (FREN). When this bit is set to 1 the frequency of each input clock is measured and used to quickly declare the input inactive. See section [5.5.2.1](#).

0 = Frequency Range Detect disabled

1 = Frequency Range Detect enabled

Register Name: ICCR3
Register Description: Input Clock Configuration Register 3
Register Address: 53h

	Bit 7	Bit 6	Bit 5	Bit 4	Bit 3	Bit 2	Bit 1	Bit 0
Name	0	0	0	NSEN	FMONLEN[3:0]			
Default	0	0	0	0	0	0	1	0

The input clock registers are bank-selected by the [ICSEL](#) register. See section [6.1.3](#).

Bits 4: Noise Shaping Enable (NSEN). Setting this bit to one enables noise shaping circuitry in the input clock fractional scaling block. The effect of this noise shaping is to move the phase noise generated by the fractional scaling digital circuitry up to higher frequencies where it can be attenuated more by a downstream PLL. This feature is most beneficial when an APLL is locked directly to one of the input clock signals ([APLLCR2.APLLMUX=0xx](#)).

Bits 3 to 0: Frequency Monitor Measurement Length (FMONLEN[3:0]). This field specifies the length of time the input frequency monitor takes to measure the frequency of the input clock. The frequency measurement length specified by FMONLEN is a function of the measurement reference clock specified by [ICCR2.FMONCLK](#) as shown below. See section [5.5.2.1](#).

[ICCR4.FMRES=0](#) (Standard Resolution)

[ICCR2.FMONCLK\[1:0\] = 00:](#)

- 0000 = 31ms
- 0001 = 62ms
- 0010 = 124ms
- 0011 = 250ms
- 0100 = 500ms
- 0101 = 1sec
- 0110 = 2sec
- 0111 = 4sec
- 1000 = 8sec
- 1001-1111 = {unused values}

[ICCR2.FMONCLK\[1:0\] = 01:](#)

- 0000 = 82ms
- 0001 = 164ms
- 0010 = 328ms
- 0011 = 656ms
- 0100 = 1.31sec
- 0101 = 2.62sec
- 0110 = 5.24sec
- 0111 = 10.5sec
- 1000 = 21sec
- 1001-1111 = {unused values}

[ICCR4.FMRES=1](#) (High Resolution)

[ICCR2.FMONCLK\[1:0\] = 00:](#)

- 0000 = 3.982 sec
- 0001 = 7.962 sec
- 0010 = 15.926 sec
- 0011 = 31.850 sec
- 0100 = 62.700 sec
- 0101 = 127.402 sec
- 0110 = 254.804 sec
- 0111 = 509.608 sec
- 1000 = 1019.216 sec
- 1001 = 2038.432 sec
- 1010-1111 = {unused values}

[ICCR2.FMONCLK\[1:0\] = 01:](#)

- 0000 = 2.622 sec
- 0001 = 5.242 sec
- 0010 = 10.486 sec
- 0011 = 20.972 sec
- 0100 = 41.944 sec
- 0101 = 83.006 sec
- 0110 = 167.772 sec
- 0111 = 335.544 sec
- 1000 = 671.088 sec
- 1001 = 1342.178 sec
- 1010-1111 = {unused values}

Register Name: ICN1
Register Description: Input Clock Fractional Scaling Numerator Register 1
Register Address: 54h

	Bit 7	Bit 6	Bit 5	Bit 4	Bit 3	Bit 2	Bit 1	Bit 0
Name	ICN[7:0]							
Default	0	0	0	0	0	0	0	0

The input clock registers are bank-selected by the [ICSEL](#) register. See section [6.1.3](#).

The ICN1 and ICN2 registers must be read consecutively and written consecutively. See section [6.1.4](#).

Bits 7 to 0: Input Clock Fractional Scaling Numerator (ICN[7:0]). The full 16-bit ICN[15:0] field spans this register and [ICN2](#). ICN is an unsigned integer. The value ICN+1 is the numerator used for fractional scaling of the input clock frequency. See section [5.5.1](#).

Register Name: ICN2
Register Description: Input Clock Fractional Scaling Numerator Register 2
Register Address: 55h

	Bit 7	Bit 6	Bit 5	Bit 4	Bit 3	Bit 2	Bit 1	Bit 0
Name	ICN[15:8]							
Default	0	0	0	0	0	0	0	0

The input clock registers are bank-selected by the [ICSEL](#) register. See section [6.1.3](#).

The ICN1 and ICN2 registers must be read consecutively and written consecutively. See section [6.1.4](#).

Bits 7 to 0: Input Clock Fractional Scaling Numerator (ICN[15:8]). See the [ICN1](#) register description.

Register Name: ICD1
Register Description: Input Clock Fractional Scaling Denominator Register 1
Register Address: 56h

	Bit 7	Bit 6	Bit 5	Bit 4	Bit 3	Bit 2	Bit 1	Bit 0
Name	ICD[7:0]							
Default	0	0	0	0	0	0	0	0

The input clock registers are bank-selected by the [ICSEL](#) register. See section [6.1.3](#).
 The ICD1 through ICD4 registers must be read consecutively and written consecutively. See section [6.1.4](#).

Bits 7 to 0: Input Clock Fractional Scaling Denominator (ICD[7:0]). The full 32-bit ICD[31:0] field spans this register, [ICD2](#), [ICD3](#) and [ICD4](#). ICD is an unsigned integer. The value ICD+1 is the denominator used for fractional scaling of the input clock frequency. See section [5.5.1](#).

Register Name: ICD2
Register Description: Input Clock Fractional Scaling Denominator Register 2
Register Address: 57h

	Bit 7	Bit 6	Bit 5	Bit 4	Bit 3	Bit 2	Bit 1	Bit 0
Name	ICD[15:8]							
Default	0	0	0	0	0	0	0	0

The input clock registers are bank-selected by the [ICSEL](#) register. See section [6.1.3](#).
 The ICD1 through ICD4 registers must be read consecutively and written consecutively. See section [6.1.4](#).

Bits 7 to 0: Input Clock Fractional Scaling Denominator (ICD[15:8]). See the [ICD1](#) register description.

Register Name: ICD3
Register Description: Input Clock Fractional Scaling Denominator Register 3
Register Address: 58h

	Bit 7	Bit 6	Bit 5	Bit 4	Bit 3	Bit 2	Bit 1	Bit 0
Name	ICD[23:16]							
Default	0	0	0	0	0	0	0	0

The input clock registers are bank-selected by the [ICSEL](#) register. See section [6.1.3](#).
 The ICD1 through ICD4 registers must be read consecutively and written consecutively. See section [6.1.4](#).

Bits 7 to 0: Input Clock Fractional Scaling Denominator (ICD[23:16]). See the [ICD1](#) register description.

Register Name: ICD4
Register Description: Input Clock Fractional Scaling Denominator Register 4
Register Address: 59h

	Bit 7	Bit 6	Bit 5	Bit 4	Bit 3	Bit 2	Bit 1	Bit 0
Name	ICD[31:24]							
Default	0	0	0	0	0	0	0	0

The input clock registers are bank-selected by the [ICSEL](#) register. See section [6.1.3](#).
 The ICD1 through ICD4 registers must be read consecutively and written consecutively. See section [6.1.4](#).

Bits 7 to 0: Input Clock Fractional Scaling Denominator (ICD[31:24]). See the [ICD1](#) register description.

Register Name: ICLBU
Register Description: Input Clock Leaky Bucket Upper Threshold
Register Address: 5Ah

	Bit 7	Bit 6	Bit 5	Bit 4	Bit 3	Bit 2	Bit 1	Bit 0
Name	ICLBU[7:0]							
Default	0	0	0	0	0	1	1	0

The input clock registers are bank-selected by the [ICSEL](#) register. See section [6.1.3](#).

Bits 7 to 0: Input Clock Leaky Bucket Upper Threshold (ICLBU[7:0]). When the leaky bucket accumulator is equal to the value stored in this field, the activity monitor declares an activity alarm by setting the input clock's ACT bit in the [ISR](#) register. See section [5.5.2.2](#).

Register Name: ICLBL
Register Description: Input Clock Leaky Bucket Lower Threshold
Register Address: 5Bh

	Bit 7	Bit 6	Bit 5	Bit 4	Bit 3	Bit 2	Bit 1	Bit 0
Name	ICLBL[7:0]							
Default	0	0	0	0	0	1	0	0

The input clock registers are bank-selected by the [ICSEL](#) register. See section [6.1.3](#).

Bits 7 to 0: Input Clock Leaky Bucket Lower Threshold (ICLBL[7:0]). When the leaky bucket accumulator is equal to the value stored in this field, the activity monitoring logic clears the activity alarm (if previously declared) by clearing the input clock's ACT bit in the [ISR](#) register. See section [5.5.2.2](#).

Register Name: ICLBS
Register Description: Input Clock Leaky Bucket Size
Register Address: 5Ch

	Bit 7	Bit 6	Bit 5	Bit 4	Bit 3	Bit 2	Bit 1	Bit 0
Name	ICLBS[7:0]							
Default	0	0	0	0	1	0	0	0

The input clock registers are bank-selected by the [ICSEL](#) register. See section [6.1.3](#).

Bits 7 to 0: Input Clock Leaky Bucket Size (ICLBS[7:0]). This field specifies the maximum value of the leaky bucket accumulator. The accumulator cannot increment past this value. Setting this register to 00h disables activity monitoring and forces the ACT bit to 1 in the [ISR](#) register. See section [5.5.2.2](#).

Register Name: ICLBD
Register Description: Input Clock Leaky Bucket Decay Rate
Register Address: 5Dh

	Bit 7	Bit 6	Bit 5	Bit 4	Bit 3	Bit 2	Bit 1	Bit 0
Name	—	—	—	—	—	—	ICLBD[1:0]	
Default	0	0	0	0	0	0	0	1

The input clock registers are bank-selected by the [ICSEL](#) register. See section [6.1.3](#).

Bits 1 to 0: Input Clock Leaky Bucket Decay Rate (ICLBD[1:0]). This field specifies the decay or “leak” rate of the leaky bucket accumulator. For each period of 1, 2, 4, or 8 128ms intervals in which no irregularities are detected on the input clock, the accumulator decrements by 1. See section [5.5.2.2](#).

- 00 = decrement every 128ms (8 units/second)
- 01 = decrement every 256ms (4 units/second)
- 10 = decrement every 512ms (2 units/second)
- 11 = decrement every 1024ms (1 unit/second)

Register Name: ICAHLIM
Register Description: Input Clock Frequency Acceptance Hard Limit
Register Address: 5Eh

	Bit 7	Bit 6	Bit 5	Bit 4	Bit 3	Bit 2	Bit 1	Bit 0
Name	ICAHLIM[7:0]							
Default	0	0	0	0	1	0	0	0

The input clock registers are bank-selected by the [ICSEL](#) register. See section [6.1.3](#).

Bits 7 to 0: Input Clock Frequency Acceptance Hard Limit (ICAHLIM[7:0]). This field is an unsigned integer that specifies the hard frequency limit for accepting an input clock (i.e. the pull-in range for the input clock). When the fractional frequency offset of the input clock is less than this limit, the frequency monitor indicates the input clock has valid frequency by setting HARD = 0 in the [ISR](#) register.

When [ICCR4.FMRES](#)=0 (standard resolution), ICAHLIM can be set as high as ± 320 ppm and has ~ 1.25 ppm resolution. The default limit is approximately ± 10.05 ppm. The limit in ppm is $ICAHLIM \times 1.255867$ ppm.

When [ICCR4.FMRES](#)=1 (high resolution), ICAHLIM can be set as high as ± 50 ppm and has ~ 0.2 ppm resolution. The limit in ppm is $\pm ICAHLIM \times 0.19622928$ ppm.

The reference clock used to measure the frequency of the input clock is specified by [ICCR2.FMONCLK](#). The hard alarm is enabled for an input by setting [ICCR2.HARDEN](#) = 1. Set $ICRHLIM \geq ICAHLIM \times 1.05$ to meet the hysteresis and rejection requirements of GR-1244 R3-30 [110] and R3-31 [111]. The value 00h is undefined. See section [5.5.2.1](#).

Note: When [ICCR4.AFM](#)=1 the resolution of this field changes. See section [5.5.2.1.1](#) for details.

Register Name: ICRHLIM
Register Description: Input Clock Frequency Rejection Hard Limit
Register Address: 5Fh

	Bit 7	Bit 6	Bit 5	Bit 4	Bit 3	Bit 2	Bit 1	Bit 0
Name	ICRHLIM[7:0]							
Default	0	0	0	0	1	0	0	1

The input clock registers are bank-selected by the [ICSEL](#) register. See section [6.1.3](#).

Bits 7 to 0: Input Clock Frequency Rejection Hard Limit (ICRHLIM[7:0]). This field is an unsigned integer that specifies the hard frequency limit for rejecting an input clock. When the fractional frequency offset of the input clock is greater than or equal to this limit, the frequency monitor indicates hard frequency alarm by setting HARD = 1 in the [ISR](#) register, which immediately invalidates the clock.

When [ICCR4.FMRES](#)=0 (standard resolution), ICRHLIM can be set as high as ± 320 ppm and has ~ 1.25 ppm resolution. The default limit is approximately ± 11.3 ppm. The limit in ppm is $\pm ICRHLIM \times 1.255867$ ppm.

When [ICCR4.FMRES](#)=1 (high resolution), ICRHLIM can be set as high as ± 50 ppm and has ~ 0.2 ppm resolution. The limit in ppm is $\pm ICRHLIM \times 0.19622928$ ppm.

The reference clock used to measure the frequency of the input clock is specified by [ICCR2.FMONCLK](#). The hard alarm is enabled for an input by setting [ICCR2.HARDEN](#) = 1. Set $ICRHLIM \geq ICAHLIM \times 1.05$ to meet the hysteresis and rejection requirements of GR-1244 R3-30 [110] and R3-31 [111]. The value 00h is undefined. See section [5.5.2.1](#).

Note: When [ICCR4.AFM](#)=1 the resolution of this field changes. See section [5.5.2.1.1](#) for details.

Register Name: ICSLIM
Register Description: Input Clock Frequency Soft Limit
Register Address: 60h

	Bit 7	Bit 6	Bit 5	Bit 4	Bit 3	Bit 2	Bit 1	Bit 0
Name	ICSLIM[7:0]							
Default	0	0	0	0	0	1	1	0

The input clock registers are bank-selected by the [ICSEL](#) register. See section [6.1.3](#).

Bits 7 to 0: Input Clock Frequency Soft Limit (ICSLIM[7:0]). This field is an unsigned integer that specifies the soft frequency limit for an input clock. When the fractional frequency offset of the input clock is greater than or equal to this soft limit, the frequency monitor indicates soft frequency alarm by setting SOFT=1 in the appropriate [ISR](#) register. The soft alarm limit is only used for monitoring; soft alarms do not invalidate input clocks.

When [ICCR4.FMRES](#)=0 (standard resolution), ICSLIM can be set as high as ± 320 ppm and has ~ 1.25 ppm resolution. The default limit is approximately ± 7.5 ppm. The limit in ppm is $\pm \text{ICSLIM} \times 1.255867$ ppm.

When [ICCR4.FMRES](#)=1 (high resolution), ICSLIM can be set as high as ± 50 ppm and has ~ 0.2 ppm resolution. The limit in ppm is $\pm \text{ICSLIM} \times 0.19622928$ ppm.

The reference clock used to measure the frequency of the input clock is specified by [ICCR2.FMONCLK](#). The soft alarm is enabled for an input by setting [ICCR2.SOFTEN](#)=1. The value 00h is undefined. See section [5.5.2.1](#).

Register Name: FMEAS1
Register Description: Input Clock Frequency Measurement Register 1
Register Address: 61h

	Bit 7	Bit 6	Bit 5	Bit 4	Bit 3	Bit 2	Bit 1	Bit 0
Name	FMEAS[7:0]							
Default	0	0	0	0	0	0	0	0

The input clock registers are bank-selected by the [ICSEL](#) register. See section [6.1.3](#).
 The FMEAS1 and FMEAS2 registers must be read consecutively. See section [6.1.4](#).

Bits 7 to 0: Measured Frequency (FMEAS[7:0]). The full 16-bit FMEAS[15:0] field spans this register and [FMEAS2](#). This read-only field indicates the measured frequency of the input clock. FMEAS is a two's-complement signed integer that expresses the fractional frequency offset of the input clock. When [ICCR4.FMRES=0](#) (standard resolution) the measured frequency is FMEAS[15:0] x 0.156983ppm. When [ICCR4.FMRES=1](#) (high resolution) the measured frequency is FMEAS[15:0] x 4.905732ppb. See section [5.5.2.1](#).

Note that if the DPLL's nominal master clock frequency (f_{MCLK}) is not an integer multiple of 500Hz, the frequency reported by FMEAS will have a small offset error that can be calculated using the following equations:

$$N = \text{round}(f_{MCLK} / 500)$$

$$\text{offset error in ppm} = [((500 * N) - f_{MCLK}) / f_{MCLK}] * 1,000,000$$

The worst possible offset error is 1.32ppm which occurs when f_{MCLK} ends in 250 and therefore $f_{MCLK} / 500$ has a fractional part of exactly 0.5, for example $f_{MCLK} = 190,000,250\text{Hz}$ and $f_{MCLK} / 500 = 380,000.5$. If the DPLL's master clock frequency is an integer multiple of 500Hz then the offset error is zero.

Register Name: FMEAS2
Register Description: Input Clock Frequency Measurement Register 2
Register Address: 62h

	Bit 7	Bit 6	Bit 5	Bit 4	Bit 3	Bit 2	Bit 1	Bit 0
Name	FMEAS[15:8]							
Default	0	0	0	0	0	0	0	0

The input clock registers are bank-selected by the [ICSEL](#) register. See section [6.1.3](#).
 The FMEAS1 and FMEAS2 registers must be read consecutively. See section [6.1.4](#).

Bits 7 to 0: Measured Frequency (FMEAS[15:8]). See the [FMEAS1](#) register description.

Register Name: ICCR4
Register Description: Input Clock Configuration Register 4
Register Address: 63h

	Bit 7	Bit 6	Bit 5	Bit 4	Bit 3	Bit 2	Bit 1	Bit 0
Name	—	—	—	—	—	FMRES	—	AFM
Default	0	0	0	0	0	0	0	0

Bit 2: Frequency Monitor Resolution (FMRES). This bit specifies standard resolution or high resolution for the frequency monitor. See section [5.5.2.1](#).

0 = Standard resolution

1 = High resolution

Register	Standard Resolution	High Resolution
FMEAS	0.156983ppm	4.905732ppb
ICAHLIM	1.255867ppm	0.19622928ppm
ICRHLIM		
ICSLIM		

Bit 0: Alternate Frequency Monitor (AFM). This bit enables the alternate input clock frequency monitor logic.

0 = Regular frequency monitor (section [5.5.2.1](#))

1 = Alternate frequency monitor (section [5.5.2.1.1](#))

Register Name: AFMNOM1
Register Description: Alternate Frequency Monitor Nominal Count Register 1
Register Address: 64h

	Bit 7	Bit 6	Bit 5	Bit 4	Bit 3	Bit 2	Bit 1	Bit 0
Name	AFMNOM[7:0]							
Default	0	0	0	0	0	0	0	0

The input clock registers are bank-selected by the [ICSEL](#) register. See section [6.1.3](#).
 The [AFMNOM1](#) through [AFMNOM3](#) registers must be read consecutively. See section [6.1.3](#).

Bits 7 to 0: Alternate Frequency Monitor Nominal Count (AFMNOM[7:0]). The full 20-bit AFMNOM[19:0] field spans this register, [AFMNOM2](#) and [AFMNOM3](#). This field indicates the nominal (expected) number of AFM reference clock cycles per input clock cycle (rounded down). AFMNOM is an unsigned integer. See section [5.5.2.1.1](#).

Register Name: AFMNOM2
Register Description: Alternate Frequency Monitor Nominal Count Register 2
Register Address: 65h

	Bit 7	Bit 6	Bit 5	Bit 4	Bit 3	Bit 2	Bit 1	Bit 0
Name	AFMNOM[15:8]							
Default	0	0	1	1	0	1	0	1

The input clock registers are bank-selected by the [ICSEL](#) register. See section [6.1.3](#).
 The [AFMNOM1](#) through [AFMNOM3](#) registers must be read consecutively. See section [6.1.3](#).

Bits 7 to 0: Alternate Frequency Monitor Nominal Count (AFMNOM[7:0]). See the [AFMNOM1](#) register description.

Register Name: AFMNOM3
Register Description: Alternate Frequency Monitor Nominal Count Register 3
Register Address: 66h

	Bit 7	Bit 6	Bit 5	Bit 4	Bit 3	Bit 2	Bit 1	Bit 0
Name	—	—	—	—	AFMNOM[19:16]			
Default	0	0	0	0	1	1	0	0

The input clock registers are bank-selected by the [ICSEL](#) register. See section [6.1.3](#).
 The [AFMNOM1](#) through [AFMNOM3](#) registers must be read consecutively. See section [6.1.3](#).

Bits 3 to 0: Alternate Frequency Monitor Nominal Count (AFMNOM[19:16]). See the [AFMNOM1](#) register description.

6.3.6 DPLL Registers

Note: The DPLL registers cannot be read or written unless a master clock is provided to the input block and the DPLL. See section 5.2.2.

Note: When the DPLL is disabled (**MCR1.DPLLEN=0**) all DPLL register fields are ignored by the device and should be ignored by system software.

Register Name: DPLLCR1
Register Description: DPLL Configuration Register 1
Register Address: 71h

	Bit 7	Bit 6	Bit 5	Bit 4	Bit 3	Bit 2	Bit 1	Bit 0
Name	EXTSW	UFSW	REVERT	PPM160	FORCE[3:0]			
Default	see below	0	0	0	0	0	0	0

Bit 7: External Reference Switching Mode (EXTSW). This bit enables the input block's external reference switching mode. In this mode, if the SS pin is high the DPLL is forced to lock to input IC1 whether or not the selected input has a valid reference signal. If the SS pin is low the DPLL is forced to lock to input IC2 whether or not the selected input has a valid reference signal. See section 5.5.3.5.

- 0 = Normal operation
- 1 = External switching mode

Bit 6: Ultra-Fast Switching Mode (UFSW). See section 5.5.3.4.

- 0 = Disabled
- 1 = Enabled. The current selected reference is disqualified after a few missing clock cycles (see Table 5-4).

Bit 5: Revertive Mode (REVERT). This bit configures the DPLL for revertive or nonrevertive operation. In revertive mode, if an input clock with a higher priority than the selected reference becomes valid, the higher priority reference immediately becomes the selected reference. In nonrevertive mode the higher priority reference does not immediately become the selected reference but does become the highest-priority reference in the priority table (REF1 field in the **PTAB1** register). See section 5.5.3.2.

Bit 4: 160ppm Mode (PPM160). This bit enables the DPLL's ± 160 ppm tracking range mode. See section 5.6.12.

- 0 = Disabled
- 1 = Enabled

Bits 3 to 0: Force Selected Reference (FORCE[3:0]). This field provides a way to force a specified input clock to be the selected reference for the DPLL. Internally this is accomplished by forcing the clock to have the highest priority (as specified in **PTAB1.REF1**). In revertive mode (**REVERT=1**) the forced clock automatically becomes the selected reference (as specified in **PTAB1.SELREF**) as well. In nonrevertive mode (**REVERT=0**) the forced clock only becomes the selected reference when the existing selected reference is invalidated or made unavailable for selection.

When a reference is forced, the frequency monitor and activity monitor for that input and the DPLL's loss-of-lock timeout logic all continue to operate and affect the relevant **ISR**, **VALSR** and **ICLSR** register bits. However, when the reference is declared invalid the DPLL is not allowed to switch to another input clock. The DPLL continues to respond to the fast activity monitor, transitioning to mini-holdover in response to short-term events and to full holdover in response to longer events. This field has no effect when **EXTSW=1**. See section 5.5.3.3.

- 0000 = Automatic source selection (normal operation)
- 0001 = Force to IC1
- 0010 = Force to IC2
- 0011 to 1111 = {unused values}

Register Name: DPLLCR2
Register Description: DPLL Configuration Register 2
Register Address: 72h

	Bit 7	Bit 6	Bit 5	Bit 4	Bit 3	Bit 2	Bit 1	Bit 0
Name	HOMODE[1:0]		MINIHO[1:0]		HORST	STATE[2:0]		
Default	0	0	0	0	0	0	0	0

Bits 7 to 6: Holdover Mode (HOMODE[1:0]). This field specifies the DPLL's main holdover mode. See section 5.6.1.6. Note: bit 0 at address 205h must be set to 1 for HOMODE to behave as described.

- 00 = Instantaneous
- 01 = Manual Holdover (set by [HOFREQ](#))
- 10 = Fast Average
- 11 = Slow Average

Bits 5 to 4: Miniholdover Mode (MINIHO). Miniholdover is a transitional state the DPLL enters immediately after losing its selected reference. In miniholdover the DPLL behaves exactly the same as in holdover but with a holdover frequency specified by this field. See section 5.6.1.7. Note: bit 0 at address 205h must be set to 1 for MINIHO to behave as described.

- 00 = Instantaneous
- 01 = Manual Holdover (set by [HOFREQ](#))
- 10 = Fast Average
- 11 = Slow Average

Bit 3: Holdover Reset (HORST). A zero to one transition of this bit causes the DPLL to reset (i.e. erase) all stored holdover values, clear the FHORDY and SHORDY bits in [PLL1SR](#), and restart the holdover accumulation process. See section 5.6.1.6.1 for details.

Bits 2 to 0: DPLL State Control (STATE[2:0]). This field can be used to force the DPLL state machine to a specified state. The state machine remains in the forced state, and therefore cannot react to alarms and other events, as long as STATE is not equal to 000. See section 5.6.1.

- 000 = Automatic (normal state machine operation)
- 001 = Free-run
- 010 = Holdover
- 011 = {unused value}
- 100 = Locked
- 101 = Prelocked 2
- 110 = Prelocked
- 111 = Loss-of-lock

Register Name: DPLLCR3
Register Description: DPLL Configuration Register 3
Register Address: 73h

	Bit 7	Bit 6	Bit 5	Bit 4	Bit 3	Bit 2	Bit 1	Bit 0
Name	ADAMP[2:0]			ABW[4:0]				
Default	0	1	1	0	1	1	1	1

Bits 7 to 5: Acquisition Damping Factor (ADAMP[2:0]). This field configures the DPLL's damping factor when acquiring lock (i.e. pulling in). Acquisition damping factor is a function of both ADAMP and the acquisition DPLL bandwidth (ABW field below). The default value corresponds to a damping factor of 5 for all bandwidths. See section 5.6.3.

	≤ 4Hz	8Hz	18Hz	35Hz	≥ 70Hz
001 =	5	2.5	1.2	1.2	1.2
010 =	5	5	2.5	2.5	2.5
011 =	5	5	5	5	5
100 =	5	5	5	10	10
101 =	5	5	5	10	20
000, 110, and 111 =	{unused values}				

The gain peak for each damping factor is shown below:

DAMPING FACTOR	GAIN PEAK (dB)
1.2	0.4
2.5	0.2
5.0	0.1
10	0.06
20	0.03

Bits 4 to 0: Acquisition Bandwidth (ABW[4:0]). This field configures the bandwidth of the DPLL when acquiring lock (i.e. pulling in). When `DPLLCCR6.AUTOBW=0`, `DPLLCCR4.LBW` bandwidth is used for acquisition and for locked operation. When `AUTOBW=1`, ABW bandwidth is used for acquisition while LBW bandwidth is used for locked operation. See section 5.6.2.

00000 = 0.5 mHz
 00001 = 1 mHz
 00010 = 2 mHz
 00011 = 4 mHz
 00100 = 8 mHz
 00101 = 15 mHz
 00110 = 30 mHz
 00111 = 60 mHz
 01000 = 0.1 Hz
 01001 = 0.3 Hz
 01010 = 0.6 Hz
 01011 = 1.2 Hz
 01100 = 2.5 Hz
 01101 = 4 Hz
 01110 = 8 Hz
 01111 = 18 Hz (default)
 10000 = 35 Hz
 10001 = 70 Hz
 10010 = 120Hz
 10011 = 250Hz
 10100 = 400Hz
 10101 to 11111 = {unused values}

Register Name: DPLLCR4
Register Description: DPLL Configuration Register 4
Register Address: 74h

	Bit 7	Bit 6	Bit 5	Bit 4	Bit 3	Bit 2	Bit 1	Bit 0
Name	LDAMP[2:0]			LBW[4:0]				
Default	0	1	1	0	1	1	0	1

Bits 7 to 5: Locked Damping Factor (LDAMP[2:0]). This field configures the DPLL's damping factor when locked to an input clock. Locked damping factor is a function of both LDAMP and the locked DPLL bandwidth (LBW field below). The default value corresponds to a damping factor of 5 for all bandwidths. See section 5.6.3.

	≤ 4Hz	8Hz	18Hz	35Hz	≥ 70Hz
001 =	5	2.5	1.2	1.2	1.2
010 =	5	5	2.5	2.5	2.5
011 =	5	5	5	5	5
100 =	5	5	5	10	10
101 =	5	5	5	10	20
000, 110, and 111 =	{unused values}				

The gain peak for each damping factor is shown below:

DAMPING FACTOR	GAIN PEAK (dB)
1.2	0.4
2.5	0.2
5.0	0.1
10	0.06
20	0.03

Bits 4 to 0: Locked Bandwidth (LBW[4:0]). This field configures the bandwidth of the DPLL when locked to an input clock. When DPLLCR6.AUTOBW=0, the LBW bandwidth is used for acquisition and for locked operation. When AUTOBW=1, DPLLCR3.ABW bandwidth is used for acquisition while LBW bandwidth is used for locked operation. See section 5.6.2.

- 00000 = 0.5 mHz
- 00001 = 1 mHz
- 00010 = 2 mHz
- 00011 = 4 mHz
- 00100 = 8 mHz
- 00101 = 15 mHz
- 00110 = 30 mHz
- 00111 = 60 mHz
- 01000 = 0.1 Hz
- 01001 = 0.3 Hz
- 01010 = 0.6 Hz
- 01011 = 1.2 Hz
- 01100 = 2.5 Hz
- 01101 = 4 Hz (default)
- 01110 = 8 Hz
- 01111 = 18 Hz
- 10000 = 35 Hz
- 10001 = 70 Hz
- 10010 = 120Hz
- 10011 = 250Hz
- 10100 = 400Hz
- 10101 to 11111 = {unused values}

Register Name: DPLLCR5
Register Description: DPLL Configuration Register 5
Register Address: 75h

	Bit 7	Bit 6	Bit 5	Bit 4	Bit 3	Bit 2	Bit 1	Bit 0
Name	NALOL	FLLOL	FLEN	CLEN	MCPDEN	USEMCPD	D180	PFD180
Default	0	1	1	1	0	0	0	0

Bit 7: No-Activity Loss of Lock (NALOL). The DPLL can detect that an input clock has no activity very quickly (within two clock cycles). When NALOL = 1, the DPLL internally declares loss-of-lock as soon as no activity is detected, and then switches to phase/frequency locking ($\pm 360^\circ$). When NALOL = 0, loss-of-lock is not declared when clock cycles are missing, and nearest edge locking ($\pm 180^\circ$) is used when the clock recovers. This gives tolerance to missing cycles. See sections [5.5.2.3](#) and [5.6.5](#).

- 0 = No activity does not trigger loss-of-lock
- 1 = No activity does trigger loss-of-lock

Bit 6: Frequency Limit Loss of Lock (FLLOL). When this bit is set to 1, the DPLL internally declares loss-of-lock when the DPLL's frequency exceeds the frequency hard limit specified in the [HRDLIM](#) registers. See section [5.6.5](#).

- 0 = DPLL does not declare loss-of-lock when the hard frequency limit is reached
- 1 = DPLL declares loss-of-lock when the hard frequency limit is reached

Bit 5: Fine Phase Limit Enable (FLEN). When this bit is set to 1, the DPLL internally declares loss-of-lock when the DPLL's phase (difference between output phase and input phase) exceeds the fine phase limit specified in the [PHLIM.FINELIM\[2:0\]](#) field. The fine limit must be disabled for multi-UI jitter tolerance. See section [5.6.5](#).

- 0 = Disabled
- 1 = Enabled

Bit 4: Coarse Phase Limit Enable (CLEN). When this bit is set to 1, the DPLL internally declares loss-of-lock when the DPLL's phase (difference between output phase and input phase) exceeds the coarse phase limit specified in the [PHLIM.COARSELIM\[3:0\]](#) field. See section [5.6.5](#).

- 0 = Disabled
- 1 = Enabled

Bit 3: Multicycle Phase Detector Enable (MCPDEN). This configuration bit enables the multicycle phase detector and allows the DPLL to tolerate large-amplitude jitter and wander. The range of the multicycle phase detector is the same as the coarse phase limit specified in the [PHLIM.COARSELIM\[3:0\]](#) field. See section [5.6.4](#).

- 0 = Disabled
- 1 = Enabled

Bit 2: Use Multicycle Phase Detector in the DPLL Algorithm (USEMCPD). This configuration bit enables the DPLL algorithm to use the multicycle phase detector so that a large phase measurement drives faster DPLL pull-in. When USEMCPD = 0, phase measurement is limited to $\pm 360^\circ$, giving slower pull-in at higher frequencies but with less overshoot. When USEMCPD = 1, phase measurement is set as specified in the [COARSELIM\[3:0\]](#) field, giving faster pull-in. MCPDEN should be set to 1 when USEMCPD = 1. See section [5.6.4](#).

- 0 = Disabled
- 1 = Enabled

Bit 1: Disable 180 (D180). When locking to a new reference, the DPLL first tries nearest-edge locking ($\pm 180^\circ$) for the first two seconds. If unsuccessful it then tries full phase/frequency locking ($\pm 360^\circ$). Disabling the nearest-edge locking can reduce lock time by up to two seconds but may cause an unnecessary phase shift (up to 360°) when the new reference is close in frequency/phase to the old reference. See section [5.6.4](#).

- 0 = normal operation: try nearest-edge locking then phase/frequency locking
- 1 = phase/frequency locking only

Bit 0: 180° PFD Enable (PFD180). If D180 = 1, then PFD180 has no effect.

- 0 = Use 180° phase detector (nearest-edge locking mode)
- 1 = Use 180° phase-frequency detector

Register Name: DPLLCR6
Register Description: DPLL Configuration Register 6
Register Address: 76h

	Bit 7	Bit 6	Bit 5	Bit 4	Bit 3	Bit 2	Bit 1	Bit 0
Name	AUTOBW	LIMINT	PBOEN	PBOFRZ	—	—	RDAVG[1:0]	
Default	1	1	1	0	0	0	0	0

Bit 7: Automatic Bandwidth Selection (AUTOBW). See section 5.6.2.

- 0 = Use bandwidth specified in [DPLLCR4.LBW](#) during acquisition and while locked
- 1 = Use bandwidth specified in [DPLLCR3.ABW](#) during acquisition and use bandwidth specified in [DPLLCR4.LBW](#) while locked

Bit 6: Limit Integral Path (LIMINT). When this bit is set to 1, the DPLL's integral path is limited (i.e., frozen) when the DPLL reaches minimum or maximum frequency, as set in the [HRDLIM](#) registers. When the integral path is frozen, the current DPLL frequency in the [FREQ](#) registers is also frozen. Setting LIMINT = 1 minimizes overshoot when the DPLL is pulling in. See section 5.6.2.

- 0 = Do not freeze integral path at min/max frequency
- 1 = Freeze integral path at min/max frequency

Bit 5: Phase Build-Out Enable (PBOEN). When this bit is set to 1 a phase build-out event occurs every time the DPLL changes to a new reference, including exiting the holdover and free-run states. Phase build-out on change of reference is also known as hitless switching. When this bit is set to 0, the DPLL locks to the new source with zero degrees of phase difference. See section 5.6.6.

- 0 = Disabled
- 1 = Enabled

Bit 4: Phase Build-Out Freeze (PBOFRZ). This bit freezes the current input-output phase relationship and does not allow further phase build-out events to occur. See section 5.6.6.1.

- 0 = Not frozen
- 1 = Frozen

Bits 1 to 0: Read Average (RDAVG[1:0]). This field controls which value is accessed when reading the [FREQ](#) field: the DPLL's instantaneous frequency or one of the long-term frequency averages. This allows control software, optionally, to make use of the DPLL's averager plus manual holdover mode to implement a software-controlled holdover algorithm. See section 5.6.1.6.2.

- 00 = Read the instantaneous value
- 01 = Read the 1-second average
- 10 = Read the 5.8-minute average
- 11 = Read the 93.2-minute average

Register Name: PHMON
Register Description: DPLL Phase Monitor Register
Register Address: 78h

	Bit 7	Bit 6	Bit 5	Bit 4	Bit 3	Bit 2	Bit 1	Bit 0
Name	NW	—	PMEN	PMPBEN	PHMONLIM[3:0]			
Default	0	0	0	0	0	1	1	0

Bit 7: Low-Frequency Input Clock Noise Window (NW). For 2kHz to 8 kHz input clocks, this configuration bit enables a $\pm 5\%$ tolerance noise window centered around the expected clock edge location. Noise-induced edges outside this window are ignored, reducing the possibility of phase hits on the output clocks. NW should be enabled only when the device is locked to an input and [DPLL5.D180=0](#).

0 = All edges are recognized by the DPLL

1 = Only edges within the $\pm 5\%$ tolerance window are recognized by the DPLL

Bit 5: Phase Monitor Enable (PMEN). This configuration bit enables the phase monitor, which measures the phase error between the input clock reference and the DPLL output. When the DPLL is set for low bandwidth, a phase transient on the input causes an immediate phase error that is gradually reduced as the DPLL tracks the input. When the measured phase error exceeds the limit set in the PHMONLIM field (below), the phase monitor declares a phase monitor alarm by setting [PLL1SR.PHMON](#). See section [5.6.6](#).

0 = Disabled

1 = Enabled

Bit 4: Phase Monitor Phase Build-Out Enable (PMPBEN). This bit enables phase build-out in response to phase hits on the selected reference. See section [5.6.6](#).

0 = Phase monitor alarm does not trigger a phase build-out event

1 = Phase monitor alarm does trigger a phase build-out event

Bits 3 to 0: Phase Monitor Limit (PHMONLIM[3:0]). This field is an unsigned integer that specifies the magnitude of phase error that causes a phase monitor alarm to be declared ([PLL1LSR.PHMON](#)). The phase monitor limit in nanoseconds is equal to $(\text{PMLIM}[3:0] + 7) * 156.25$, which corresponds to a range of $1.094\mu\text{s}$ to $3.437\mu\text{s}$ in 156.25ns steps. The phase monitor is enabled by setting $\text{PMEN}=1$. See section [5.6.6](#).

Register Name: PHLIM
Register Description: DPLL Phase Limit Register
Register Address: 79h

	Bit 7	Bit 6	Bit 5	Bit 4	Bit 3	Bit 2	Bit 1	Bit 0
Name	—	FINELIM[2:0]			COARSELIM[3:0]			
Default	0	0	1	0	0	1	0	1

Bits 6 to 4: Fine Phase Limit (FINELIM[2:0]). This field specifies the fine phase limit window, outside of which loss-of-lock is declared. The [DPLLCR5.FLEN](#) bit enables this feature. The phase of the input clock has to be inside the fine limit window for two seconds before phase lock is declared. Loss-of-lock is declared immediately if the phase of the input clock is outside the phase limit window. The default value of 010 is appropriate for most situations. See section [5.6.5](#).

- 000 = Always indicates loss of phase lock—do not use
- 001 = Small phase limit window, ± 45 to $\pm 90^\circ$
- 010 = Normal phase limit window, ± 90 to $\pm 180^\circ$ (default)
- 100, 101, 110, 111 = Proportionately larger phase limit window

Bits 3 to 0: Coarse Phase Limit (COARSELIM[3:0]). This field specifies the coarse phase limit and the tracking range of the multicycle phase detector. The [DPLLCR5.CLLEN](#) bit enables this feature. If jitter tolerance greater than 0.5UI is required and the input clock is a high frequency ($\geq 10\text{MHz}$) signal then the DPLL can be configured to track phase errors over many UI using the multicycle phase detector. See section [5.6.4](#) and [5.6.5](#).

- 0000 = $\pm 1\text{UI}$
- 0001 = $\pm 3\text{UI}$
- 0010 = $\pm 7\text{UI}$
- 0011 = $\pm 15\text{UI}$
- 0100 = $\pm 31\text{UI}$
- 0101 = $\pm 63\text{UI}$
- 0110 = $\pm 127\text{UI}$
- 0111 = $\pm 255\text{UI}$
- 1000 = $\pm 511\text{UI}$
- 1001 = $\pm 1023\text{UI}$
- 1010 = $\pm 2047\text{UI}$
- 1011 = $\pm 4095\text{UI}$
- 1100 to 1111 = $\pm 8191\text{UI}$

Register Name: PHLKTO
Register Description: DPLL Phase Lock Timeout Register
Register Address: 7Ah

	Bit 7	Bit 6	Bit 5	Bit 4	Bit 3	Bit 2	Bit 1	Bit 0
Name	PHLKATOM[1:0]		PHLKTO[5:0]					
Default	0	0	1	1	0	0	1	0

Bits 7 to 6: Phase Lock Timeout Multiplier (PHLKATOM[1:0]). This field is an unsigned integer that specifies the resolution of the PHLKTO field below.

- 00 = 2 seconds
- 01 = 4 seconds
- 10 = 8 seconds
- 11 = 16 seconds

Bits 5 to 0: Phase Lock Timeout (PHLKTO[5:0]). This field is an unsigned integer that, together with the PHLKATOM field above, specifies the length of time that the DPLL attempts to lock to an input clock before declaring a phase lock alarm (by setting the corresponding LOCK bit in the [ISR](#) register). The timeout period in seconds is $PHLKTO[5:0] \times 2^{(PHLKATOM[1:0]+1)}$. When unable to declare lock, the DPLL remains in the prelocked, prelocked 2, or loss-of-lock states for the specified time before declaring a phase lock alarm on the selected input. When PHLKTO=0, the timeout is disabled, and the DPLL can remain indefinitely in the prelocked, prelocked 2 or loss-of-lock states. See section [5.6.1.4](#).

Register Name: LKATO
Register Description: DPLL Lock Alarm Timeout Register
Register Address: 7Bh

	Bit 7	Bit 6	Bit 5	Bit 4	Bit 3	Bit 2	Bit 1	Bit 0
Name	LKATOM[1:0]		LKATO[5:0]					
Default	0	0	1	1	0	0	1	0

Bits 7 to 6: Lock Alarm Timeout Multiplier (LKATOM[1:0]). This field is an unsigned integer that specifies the resolution of the LKATO field below.

- 00 = 2 seconds
- 01 = 4 seconds
- 10 = 8 seconds
- 11 = 16 seconds

Bits 5 to 0: Lock Alarm Timeout (LKATO[5:0]). This field is an unsigned integer that, together with the LKATOM field above, specifies the length of time that a phase lock alarm remains active before being automatically deasserted (by clearing the corresponding LOCK bit in the [ISR](#) register). The timeout period in seconds is $LKATO[5:0] \times 2^{(LKATOM[1:0]+1)}$. When LKATO=0, the timeout is disabled, and the phase lock alarm remains active until cleared by software writing a 0 to the LOCK bit. See section [5.6.1.4](#).

Register Name: HRDLIM1
Register Description: DPLL Hard Frequency Limit Register 1
Register Address: 7Ch

	Bit 7	Bit 6	Bit 5	Bit 4	Bit 3	Bit 2	Bit 1	Bit 0
Name	HRDLIM[7:0]							
Default	0	0	1	1	0	0	1	0

The HRDLIM1 and HRDLIM2 registers must be read consecutively and written consecutively. See section 6.1.4.

Bits 7 to 0: DPLL Hard Frequency Limit (HRDLIM[7:0]). The full 16-bit HRDLIM[15:0] field spans this register and HRDLIM2. HRDLIM is an unsigned integer that specifies the hard frequency limit or pull-in/hold-in range of the DPLL. This is a limit of the DPLL's integral path. HRDLIM can be set as high as ± 80 ppm and has ~ 1.2 ppb resolution. The default limit is ± 12 ppm. When frequency limit detection is enabled by setting DPLLCR5.FLLOL = 1, if the DPLL frequency exceeds the hard limit the DPLL declares loss-of-lock. The hard frequency limit in ppb is equal to

$$\pm \text{HRDLIM}[15:0] \times R \times 1.226433036.$$

where $R = f_{\text{MCLK}} / 204.8\text{MHz}$ and f_{MCLK} is the nominal frequency of the DPLL's master clock (see section 5.3). If external reference switching mode is enabled during reset (see Section 5.5.3.5), the default value is configured to ± 80 ppm (FFFFh). The value 00h is undefined. See section 5.6.5.

Register Name: HRDLIM2
Register Description: DPLL Hard Frequency Limit Register 2
Register Address: 7Dh

	Bit 7	Bit 6	Bit 5	Bit 4	Bit 3	Bit 2	Bit 1	Bit 0
Name	HRDLIM[15:8]							
Default	0	0	1	0	0	1	1	0

The HRDLIM1 and HRDLIM2 registers must be read consecutively and written consecutively. See section 6.1.4.

Bits 7 to 0: DPLL Hard Frequency Limit (HRDLIM[15:8]). See the HRDLIM1 register description.

Register Name: SOFTLIM
Register Description: DPLL Soft Frequency Limit Register
Register Address: 7Eh

	Bit 7	Bit 6	Bit 5	Bit 4	Bit 3	Bit 2	Bit 1	Bit 0
Name	SOFTLIM[7:0]							
Default	0	0	0	1	1	0	1	0

Bits 7 to 0: DPLL Soft Frequency Limit (SOFTLIM[7:0]). This field is an unsigned integer that specifies the soft frequency limit for the DPLL. The soft limit is only used for monitoring; exceeding this limit does not cause loss-of-lock. The limit in ppm is equal to

$$\pm \text{SOFTLIM}[7:0] \times R \times 0.313966857.$$

where $R = f_{\text{MCLK}} / 204.8\text{MHz}$ and f_{MCLK} is the nominal frequency of the DPLL's master clock (see section 5.3). The default value is approximately ± 8.2 ppm. When the DPLL frequency reaches the soft limit, the SOFT status bit is set in the PLL1SR register. The value 00h is undefined. See section 5.6.5.

Register Name: OFFSET1
Register Description: DPLL Phase Offset Register 1
Register Address: 80h

	Bit 7	Bit 6	Bit 5	Bit 4	Bit 3	Bit 2	Bit 1	Bit 0
Name	OFFSET[7:0]							
Default	0	0	0	0	0	0	0	0

The OFFSET1 and OFFSET2 registers must be read consecutively and written consecutively. See section 6.1.4.

Bits 7 to 0: Phase Offset (OFFSET[7:0]). The full 16-bit OFFSET[15:0] field spans this register and the [OFFSET2](#) register. OFFSET is a two's-complement signed integer that specifies the desired phase offset between the output of the DPLL and the selected input reference. The phase offset in picoseconds is equal to $\text{OFFSET}[15:0] \times \text{actual_internal_clock_period} / 2^{11}$. If the internal clock is at its nominal frequency of 77.76MHz then the phase offset equation simplifies to $\text{OFFSET}[15:0] \times 6.279\text{ps}$. If, however, the DPLL is locked to a reference whose frequency is +1ppm from ideal, for example, then the actual internal clock period is 1ppm shorter and the phase offset is 1ppm smaller. When the OFFSET field is written, the phase of the output clocks is automatically ramped to the new offset value to avoid loss of synchronization. The OFFSET field is ignored when phase build-out is enabled ([DPLL6.PBOEN = 1](#)) and when the DPLL is not locked. See section 5.6.7.

Note: The DPLL cannot support a non-zero OFFSET value when transitioning to the Free-Run state. See the DPLL state diagram in [Figure 5-9](#) for the one state transition to the Free-Run state from the Prelocked state. To avoid this state transition when $\text{OFFSET} \neq 0$ do one of the following:

1. First step after device reset, with [MCR2.IC1EN](#) and [MCR2.IC2EN](#) both left at default values of 0, force the DPLL into the Holdover state ([DPLL2.STATE=010](#)) and then back to automatic state transitions ([DPLL2.STATE=000](#)). After reset the Holdover state behaves exactly the same as the Free-Run state (0ppm offset vs. the local oscillator).
2. Do not set the OFFSET field to a non-zero value until the DPLL is in one of these states: Locked, Loss-of-Lock, Holdover, Prelocked2 ([PLL1SR.STATE=010, 100, 101 or 111](#)). After the DPLL has reached one of these states it cannot return to the Free-Run state unless forced.

Also do not force the DPLL to the Free-Run state during operation when $\text{OFFSET} \neq 0$.

Register Name: OFFSET2
Register Description: DPLL Phase Offset Register 2
Register Address: 81h

	Bit 7	Bit 6	Bit 5	Bit 4	Bit 3	Bit 2	Bit 1	Bit 0
Name	OFFSET[15:8]							
Default	0	0	0	0	0	0	0	0

The OFFSET1 and OFFSET2 registers must be read consecutively and written consecutively. See section 6.1.4.

Bits 7 to 0: Phase Offset (OFFSET[15:8]). See the [OFFSET1](#) register description.

Register Name: VALCR1
Register Description: Input Clock Valid Control Register 1
Register Address: 82h

	Bit 7	Bit 6	Bit 5	Bit 4	Bit 3	Bit 2	Bit 1	Bit 0
Name	—	—	—	—	—	—	IC2	IC1
Default	1	1	1	1	1	1	1	1

Bits 1 to 0: Input Clock Valid Control (IC2, IC1). These control bits can be used to force input clocks to be considered invalid. If a clock is invalidated by one of these control bits it will not appear in the priority table in the [PTAB1](#) and [PTAB2](#) registers, even if the clock is otherwise valid. These bits are useful when system software needs to force clocks to be invalid in response to OAM commands. Note that setting a VALCR bit low has no effect on the corresponding bit in the [VALSR](#) register. See section [5.5.3.2](#).

0 = Force invalid

1 = Don't force invalid; determine validity normally

Register Name: IPR1
Register Description: Input Priority Register 1
Register Address: 83h

	Bit 7	Bit 6	Bit 5	Bit 4	Bit 3	Bit 2	Bit 1	Bit 0
Name	PRI2[3:0]				PRI1[3:0]			
Default	0	0	1	0	0	0	0	1

Bits 7 to 4: Priority for Input Clock 2 (PRI2[3:0]). This field specifies the priority of IC2. Priority 0001 is highest; priority 1111 is lowest. See section [5.5.3.1](#).

0000 = IC2 unavailable for selection.

0001–1111 = IC2 relative priority

Bits 3 to 0: Priority for Input Clock 1 (PRI1[3:0]). This field specifies the priority of IC1. Priority 0001 is highest; priority 1111 is lowest. See section [5.5.3.1](#).

0000 = IC1 unavailable for selection.

0001–1111 = IC1 relative priority

Register Name: PTAB1
Register Description: Priority Table Register 1
Register Address: 85h

	Bit 7	Bit 6	Bit 5	Bit 4	Bit 3	Bit 2	Bit 1	Bit 0
Name	REF1[3:0]				SELREF[3:0]			
Default	0	0	0	0	0	0	0	0

Bits 7 to 4: Highest Priority Valid Reference (REF1[3:0]). This real-time status field indicates the DPLL's highest-priority valid input reference. Note that an input reference cannot be indicated in this field if it has been marked invalid in the [VALCR1](#) register. When the DPLL is in nonrevertive mode ([DPLLCCR1.REVERT](#) = 0) this field may not have the same value as the SELREF[3:0] field. See section [5.5.3.2](#).

- 0000 = No valid input reference available
- 0001 = IC1 input
- 0010 = IC2 input
- 0011 to 1111 = {unused values}

Bits 3 to 0: Selected Reference (SELREF[3:0]). This real-time status field indicates the DPLL's current selected reference. Note that an input clock cannot be indicated in this field if it has been marked invalid in the [VALCR1](#). When the DPLL is in nonrevertive mode ([DPLLCCR1.REVERT](#) = 0) this field may not have the same value as the REF1[3:0] field. See section [5.5.3.2](#).

- 0000 = No valid input reference available
- 0001 = IC1 input
- 0010 = IC2 input
- 0011 to 1111 = {unused values}

Register Name: PTAB2
Register Description: Priority Table Register 2
Register Address: 86h

	Bit 7	Bit 6	Bit 5	Bit 4	Bit 3	Bit 2	Bit 1	Bit 0
Name	—	—	—	—	REF2[3:0]			
Default	0	0	0	0	0	0	0	0

Bits 3 to 0: Second Highest Priority Valid Reference (REF2[3:0]). This real-time status field indicates the DPLL's second highest priority validated input reference. Note that an input reference cannot be indicated in this field if it has been marked invalid in the [VALCR1](#) register. See section [5.5.3.2](#).

- 0000 = No valid input reference available
- 0001 = IC1 input
- 0010 = IC2 input
- 0011 to 1111 = {unused values}

Register Name: PHASE1
Register Description: Phase Register 1
Register Address: 87h

	Bit 7	Bit 6	Bit 5	Bit 4	Bit 3	Bit 2	Bit 1	Bit 0
Name	PHASE[7:0]							
Default	0	0	0	0	0	0	0	0

The PHASE1 and PHASE2 registers must be read consecutively. See section 6.1.4.

Bits 7 to 0: Current DPLL Phase (PHASE[7:0]). The full 16-bit PHASE[15:0] field spans this register and the PHASE2 register. PHASE is a two's-complement signed integer that indicates the current value of the phase detector (i.e. the phase difference between DPLL output and DPLL input). The value is the output of the phase averager. The averaged phase difference in degrees is equal to PHASE x 0.707. See section 5.6.8.

Register Name: PHASE2
Register Description: Phase Register 2
Register Address: 88h

	Bit 7	Bit 6	Bit 5	Bit 4	Bit 3	Bit 2	Bit 1	Bit 0
Name	PHASE[15:8]							
Default	0	0	0	0	0	0	0	0

The PHASE1 and PHASE2 registers must be read consecutively. See section 6.1.4.

Bits 7 to 0: Current DPLL Phase (PHASE[15:8]). See the PHASE1 register description.

Register Name: FREQ1
Register Description: Frequency Register 1
Register Address: 89h

	Bit 7	Bit 6	Bit 5	Bit 4	Bit 3	Bit 2	Bit 1	Bit 0
Name	FREQ[7:0]							
Default	0	0	0	0	0	0	0	0

The FREQ1 to FREQ4 registers must be read consecutively. See section 6.1.4.

Bits 7 to 0: Current DPLL Frequency (FREQ[7:0]). The full 32-bit FREQ[31:0] field spans this register, FREQ2, FREQ3 and FREQ4. This read-only field is a two's-complement signed integer that expresses the fractional frequency offset of the DPLL. The frequency in ppm is equal to

$$\text{FREQ}[31:0] \times R \times 3.7427766\text{E-}8$$

where $R = f_{\text{MCLK}} / 204.8\text{MHz}$ and f_{MCLK} is the nominal frequency of the DPLL's master clock (see section 5.3). When DPLLCR6.RDAVG=0, the value in this field is derived from the DPLL integral path and can be considered a very short-term average frequency with a rate of change inversely proportional to the DPLL bandwidth. If DPLLCR6.LIMINT = 1, the value of FREQ freezes when the DPLL reaches its minimum or maximum frequency. When DPLLCR6.RDAVG≠0, the value in this field is one of the longer-term frequency averages computed by the DPLL. See section 5.6.1.6.

Note: After DPLLCR6.RDAVG is changed, system software must wait at least 50μs before reading the corresponding holdover value from the FREQ field.

The reference clock for DPLL frequency measurement is the internal master clock (see section 5.3.3). This means the device counts the number of DPLL clock cycles that occur in an interval of time equal to a specific number of local oscillator clock periods. It then compares the actual count to the expected count to determine the fractional frequency offset of the DPLL vs. the fractional frequency offset of the local oscillator. Thus DPLL frequency measurements are relative. If the DPLL's input clock is known to have worse frequency accuracy than the local oscillator then the FREQ field can be assumed to indicate the fractional frequency offset of the input clock. If, however, the DPLL's input clock is known to be stratum 1 traceable and therefore has much better frequency

accuracy than the local oscillator then the **FREQ** field actually indicates the fractional frequency offset of the local oscillator.

Register Name: FREQ2
Register Description: Frequency Register 2
Register Address: 8Ah

	Bit 7	Bit 6	Bit 5	Bit 4	Bit 3	Bit 2	Bit 1	Bit 0
Name	FREQ[15:8]							
Default	0	0	0	0	0	0	0	0

The FREQ1 to FREQ4 registers must be read consecutively. See section [6.1.4](#).

Bits 7 to 0: Current DPLL Frequency (FREQ[15:8]). See the [FREQ1](#) register description.

Register Name: FREQ3
Register Description: Frequency Register 3
Register Address: 8Bh

	Bit 7	Bit 6	Bit 5	Bit 4	Bit 3	Bit 2	Bit 1	Bit 0
Name	FREQ[23:16]							
Default	0	0	0	0	0	0	0	0

The FREQ1 to FREQ4 registers must be read consecutively. See section [6.1.4](#).

Bits 7 to 0: Current DPLL Frequency (FREQ[23:16]). See the [FREQ1](#) register description.

Register Name: FREQ4
Register Description: Frequency Register 4
Register Address: 8Ch

	Bit 7	Bit 6	Bit 5	Bit 4	Bit 3	Bit 2	Bit 1	Bit 0
Name	FREQ[31:24]							
Default	0	0	0	0	0	0	0	0

The FREQ1 to FREQ4 registers must be read consecutively. See section [6.1.4](#).

Bits 7 to 0: Current DPLL Frequency (FREQ[31:24]). See the [FREQ1](#) register description.

Register Name: DFSCR1
Register Description: DFS Configuration Register 1
Register Address: 8Dh

	Bit 7	Bit 6	Bit 5	Bit 4	Bit 3	Bit 2	Bit 1	Bit 0
Name	DFSFREQ[3:0]				—	—	—	—
Default	0	0	0	0	0	0	0	0

Bits 7 to 4: DFS Frequency (DFSFREQ[3:0]). This field sets the frequency of the DPLL's output DFS block. See section 5.7.1.2.

When the DPLL's nominal master clock frequency is 204.8MHz, the following options are available:

- 0000 = Disabled (DFS output clock held low)
- 0001 = 77.760MHz (SONET/SDH)
- 0010 = 62.500MHz (Ethernet)
- 0011 = 49.152MHz (24 x E1)
- 0100 = 65.536MHz (32 x E1)
- 0101 = 74.112MHz (48 x DS1)
- 0110 = 68.736MHz (2 x E3)
- 0111 = 44.736MHz (DS3)
- 1000 = 50.496MHz (8 x 6312kHz)
- 1001 = 61.440MHz (2 x 30.72MHz, 6 x 10.24MHz)
- 1010 = 52.000MHz (4 x 13MHz)
- 1011 = 40.000MHz (4 x 10MHz)
- 1100 = 50.000MHz (2 x 25MHz)
- 1101 = 60.000MHz
- 1110 = 70.000MHz
- 1111 = Programmable DFS mode

When the DPLL's nominal master clock frequency is not 204.8MHz the following options are available:

- 0000 = Disabled (DFS output clock held low)
 - 0010 = 62.500MHz (Ethernet)
 - 0101 = 74.112MHz (48 x DS1)
 - 1001 = 61.440MHz (2 x 30.72MHz, 6 x 10.24MHz)
 - 1101 = 60.000MHz
 - 1110 = 70.000MHz
- Other values are not recommended.

Register Name: MCFREQ1
Register Description: Master Clock Frequency Adjustment Register 1
Register Address: 8Eh

	Bit 7	Bit 6	Bit 5	Bit 4	Bit 3	Bit 2	Bit 1	Bit 0
Name	MCFREQ[7:0]							
Default	0	0	0	0	0	0	0	0

The MCFREQ1 and MCFREQ2 registers must be read consecutively and written consecutively. See section 6.1.4.

Bits 7 to 0: Master Clock Frequency Adjustment (MCFREQ[7:0]). The full 16-bit MCFREQ[15:0] field spans this register and MCFREQ2. MCFREQ is an unsigned integer that tells the input block and the DPLL how to compensate for any known difference between the actual frequency of the signal on the MCLKOSCP/N pins and the nominal master clock frequency specified by [MCDNOM](#) and [MCINOM](#). The resolution of MCFREQ is ~2.5ppb. The range of MCFREQ values allows compensation for master clock oscillator frequencies up to ±80ppm.

Positive MCFREQ values effectively increase the frequency of the input block and the DPLL vs. the master clock. Negative MCFREQ values effectively decrease the frequency of the input block and the DPLL vs. the master clock. For example, if the MCLKOSCP/N signal has an offset of +1ppm, the adjustment should be -1ppm to correct the offset. The formulas below translate adjustments to register values and vice versa. The default register value of 32,768 corresponds to 0ppm. See section 5.3.

$$\begin{aligned}
 \text{MCFREQ}[23:0] &= \text{adjustment_in_ppm} / (R \times 0.002452866) + 32,768 \\
 \text{adjustment_in_ppm} &= (\text{MCFREQ}[23:0] - 32,768) \times R \times 0.002452866
 \end{aligned}$$

where $R = f_{\text{MCLK}} / 204.8\text{MHz}$ and f_{MCLK} is the nominal frequency of the DPLL's master clock (see section 5.3).

Note that in APLL-only mode this field has no effect, but similar frequency adjustments (ppb or ppm) can be made in the APLLs' high-resolution fractional feedback divider value, [AFBDIV](#).

Register Name: MCFREQ2
Register Description: Master Clock Frequency Adjustment Register 2
Register Address: 8Fh

	Bit 7	Bit 6	Bit 5	Bit 4	Bit 3	Bit 2	Bit 1	Bit 0
Name	MCFREQ[15:8]							
Default	1	0	0	0	0	0	0	0

The MCFREQ1 and MCFREQ2 registers must be read consecutively and written consecutively. See section 6.1.4.

Bits 7 to 0: Master Clock Frequency Adjustment (MCFREQ[15:8]). See the [MCFREQ1](#) register description.

Register Name: MCDNOM1
Register Description: Master Clock DPLL Nominal Frequency Register 1
Register Address: 90h

	Bit 7	Bit 6	Bit 5	Bit 4	Bit 3	Bit 2	Bit 1	Bit 0
Name	MCDNOM[7:0]							
Default	0	0	0	0	0	0	0	0

Bits 7 to 0: Master Clock DPLL Nominal Frequency (MCDNOM[7:0]). The full 26-bit MCDNOM[25:0] field spans this register through MCDNOM4. MCDNOM is a two's-complement signed integer that specifies to the DPLL the nominal frequency of the master clock. The nominal frequency must be between 190MHz and 208.333MHz. Typical nominal frequency values are 200.0MHz and 204.8MHz. See section 5.2.2.

The formulas below translate nominal_frequency to MCDNOM register values and vice versa. The default register value of 0 corresponds to 204.8MHz.

$$\begin{aligned}
 \text{MCDNOM}[25:0] &= ((204,800,000 / \text{nominal_frequency}) - 1) \times 1,000,000 / 0.002452866 \\
 \text{nominal_frequency} &= 204,800,000 / (\text{MCDNOM}[25:0] \times 0.002452866 / 1,000,000 + 1)
 \end{aligned}$$

Register Name: MCDNOM2
Register Description: Master Clock DPLL Nominal Frequency Register 2
Register Address: 91h

	Bit 7	Bit 6	Bit 5	Bit 4	Bit 3	Bit 2	Bit 1	Bit 0
Name	MCDNOM[15:8]							
Default	0	0	0	0	0	0	0	0

Bits 7 to 0: Master Clock DPLL Nominal Frequency (MCDNOM[15:8]). See the [MCDNOM1](#) register description.

Register Name: MCDNOM3
Register Description: Master Clock DPLL Nominal Frequency Register 3
Register Address: 92h

	Bit 7	Bit 6	Bit 5	Bit 4	Bit 3	Bit 2	Bit 1	Bit 0
Name	MCDNOM[23:16]							
Default	0	0	0	0	0	0	0	0

Bits 7 to 0: Master Clock DPLL Nominal Frequency (MCDNOM[23:16]). See the [MCDNOM1](#) register description.

Register Name: MCDNOM4
Register Description: Master Clock DPLL Nominal Frequency Register 4
Register Address: 93h

	Bit 7	Bit 6	Bit 5	Bit 4	Bit 3	Bit 2	Bit 1	Bit 0
Name	—	—	—	—	—	—	MCDNOM[25:24]	
Default	0	0	0	0	0	0	0	0

Bits 1 to 0: Master Clock DPLL Nominal Frequency (MCDNOM[25:24]). See the [MCDNOM1](#) register description.

Register Name: MCINOM1
Register Description: Master Clock Input-Block Nominal Frequency Register 1
Register Address: 94h

	Bit 7	Bit 6	Bit 5	Bit 4	Bit 3	Bit 2	Bit 1	Bit 0
Name	MCINOM[7:0]							
Default	0	0	0	0	0	0	0	0

Bits 7 to 0: Master Clock Input-Block Nominal Frequency (MCINOM[7:0]). The full 17-bit MCINOM[16:0] field spans this register through [MCINOM3](#). MCINOM is a two's-complement signed integer that specifies to the input block the nominal frequency of the master clock. The nominal frequency must be between 190MHz and 208.333MHz. Typical nominal frequency values are 200.0MHz and 204.8MHz. See section [5.2.2](#).

The formulas below translate nominal_frequency to MCINOM register values and vice versa. The default register value of 0 corresponds to 204.8MHz.

$$\begin{aligned}
 \text{MCINOM}[16:0] &= (204,800,000 / 500) - (\text{nominal_frequency} / 500) \\
 \text{nominal_frequency} &= 204,800,000 - 500 \times \text{MCINOM}[16:0]
 \end{aligned}$$

Register Name: MCINOM2
Register Description: Master Clock Input-Block Nominal Frequency Register 2
Register Address: 95h

	Bit 7	Bit 6	Bit 5	Bit 4	Bit 3	Bit 2	Bit 1	Bit 0
Name	MCINOM[15:8]							
Default	0	0	0	0	0	0	0	0

Bits 7 to 0: Master Clock Input-Block Nominal Frequency (MCINOM[15:8]). See the [MCINOM1](#) register description.

Register Name: MCINOM3
Register Description: Master Clock Input-Block Nominal Frequency Register 3
Register Address: 96h

	Bit 7	Bit 6	Bit 5	Bit 4	Bit 3	Bit 2	Bit 1	Bit 0
Name	—	—	—	—	—	—	—	MCINOM16
Default	0	0	0	0	0	0	0	0

Bit 0: Master Clock Input-Block Nominal Frequency (MCINOM[16]). See the [MCINOM1](#) register description.

Register Name: MCAC1
Register Description: Master Clock Adjust Count Register 1
Register Address: 97h

	Bit 7	Bit 6	Bit 5	Bit 4	Bit 3	Bit 2	Bit 1	Bit 0
Name	MCAC[7:0]							
Default	0	0	0	0	0	0	0	0

Bits 7 to 0: Master Clock Adjust Count (MCAC[7:0]). The full 9-bit MCAC[8:0] field spans this register through [MCAC2](#). MCAC is a two's-complement signed integer that must be set as shown below for proper operation of the input block. See section [5.3.3](#).

$N = \text{round}(f_{\text{MCLK}} / 500\text{Hz})$ where f_{MCLK} is the nominal frequency of the DPLL's master clock in Hz

if [ICCR4.FMRES](#) = 0

$$\text{MCAC}[8:0] = \text{round}((2,000,000 / (0.002452866 * N) - 1991) / 16)$$

if [ICCR4.FMRES](#) = 1

$$\text{MCAC}[8:0] = \text{round}(2,000,000 / (0.002452866 * N) - 1991)$$

Register Name: MCAC2
Register Description: Master Clock Adjust Count Register 2
Register Address: 98h

	Bit 7	Bit 6	Bit 5	Bit 4	Bit 3	Bit 2	Bit 1	Bit 0
Name	—	—	—	—	—	—	—	MCAC[8]
Default	0	0	0	0	0	0	0	0

Bit 0: Master Clock Adjust Count (MCAC[8]). See the [MCAC1](#) register description.

Register Name: HOFREQ1
Register Description: Holdover Frequency Register 1
Register Address: 9Ch

	Bit 7	Bit 6	Bit 5	Bit 4	Bit 3	Bit 2	Bit 1	Bit 0
Name	HOFREQ[7:0]							
Default	0	0	0	0	0	0	0	0

The HOFREQ1 to HOFREQ4 registers must be read consecutively and written consecutively. See section [6.1.4](#).

Bits 7 to 0: Holdover Frequency (HOFREQ[7:0]). The full 32-bit HOFREQ[31:0] field spans this register, [HOFREQ2](#), [HOFREQ3](#) and [HOFREQ4](#). HOFREQ is a two's-complement signed integer that specifies the manual holdover frequency as a fractional frequency offset with respect to the nominal frequency. This manual holdover frequency is used when [DPLLCR2.HOMODE=01](#) (manual holdover mode). The HOFREQ field has the same size and format as the [FREQ](#) field to allow software to read FREQ, filter the value, and then write to HOFREQ. Holdover frequency offset in ppm is equal to

$$\text{HOFREQ}[31:0] \times R \times 3.7427766\text{E-}8.$$

where $R = f_{\text{MCLK}} / 204.8\text{MHz}$ and f_{MCLK} is the nominal frequency of the DPLL's master clock (see section [5.3](#)). See section [5.6.1.6](#).

Note: bit 0 at address 205h must be set to 1 for HOFREQ to behave as described.

Register Name: HOFREQ2
Register Description: Holdover Frequency Register 2
Register Address: 9Dh

	Bit 7	Bit 6	Bit 5	Bit 4	Bit 3	Bit 2	Bit 1	Bit 0
Name	HOFREQ[15:8]							
Default	0	0	0	0	0	0	0	0

The HOFREQ1 to HOFREQ4 registers must be read consecutively and written consecutively. See section [6.1.4](#).

Bits 7 to 0: Holdover Frequency (HOFREQ[15:8]). See the [HOFREQ1](#) register description.

Register Name: HOFREQ3
Register Description: Holdover Frequency Register 3
Register Address: 9Eh

	Bit 7	Bit 6	Bit 5	Bit 4	Bit 3	Bit 2	Bit 1	Bit 0
Name	HOFREQ[23:16]							
Default	0	0	0	0	0	0	0	0

The HOFREQ1 to HOFREQ4 registers must be read consecutively and written consecutively. See section [6.1.4](#).

Bits 7 to 0: Holdover Frequency (HOFREQ[23:16]). See the [HOFREQ1](#) register description.

Register Name: HOFREQ4
Register Description: Holdover Frequency Register 4
Register Address: 9Fh

	Bit 7	Bit 6	Bit 5	Bit 4	Bit 3	Bit 2	Bit 1	Bit 0
Name	HOFREQ[31:24]							
Default	0	0	0	0	0	0	0	0

The HOFREQ1 to HOFREQ4 registers must be read consecutively and written consecutively. See section [6.1.4](#).

Bits 7 to 0: Holdover Frequency (HOFREQ[31:24]). See the [HOFREQ1](#) register description.

Register Name: PBTIMER
Register Description: Phase Build-Out Timer Register
Register Address: 24Ah

	Bit 7	Bit 6	Bit 5	Bit 4	Bit 3	Bit 2	Bit 1	Bit 0
Name	—	—	—	—	PBTIMER[3:0]			
Default	0	0	0	0	0	1	1	0

Bits 3 to 0: Phase Build-Out Timer Register (PBTIMER[3:0]). This field specifies the delay before the phase build-out routine starts when switching to a new input clock. This field must be set appropriately for the type of local oscillator connected to the MCLKOSCP/N pins.

- 0110 = TCXO or OCXO (default)—long (2 second) delay to allow for large-amplitude input clock jitter
- 1010 = XO—short (10ms) delay to minimize the effects of temperature changes on the XO

6.3.7 DPLL and Input Block Status Registers

Register Name: PLL1SR
 Register Description: DPLL Status Register
 Register Address: A0h

	Bit 7	Bit 6	Bit 5	Bit 4	Bit 3	Bit 2	Bit 1	Bit 0
Name	—	FHORDY	SHORDY	PALARM	SOFT	STATE[2:0]		
Default	0	0	0	0	0	0	0	1

Bit 6: DPLL Fast Holdover Frequency Ready (FHORDY). This real-time status bit is set to 1 when the DPLL has a holdover value that has been averaged over the 5.8-minute holdover averaging period. See the related latched status bit in [PLL1LSR](#) and section [5.6.1.6](#).

Bit 5: DPLL Slow Holdover Frequency Ready (SHORDY). This real-time status bit is set to 1 when the DPLL has a holdover value that has been averaged over the 93.2-minute holdover averaging period. See the related latched status bit in [PLL1LSR](#) and Section [5.6.1.6](#).

Bit 4: DPLL Phase Alarm (PALARM). This real-time status bit indicates the state of the DPLL's phase lock detector. See section [5.6.5](#). (NOTE: This is not the same as STATE = Locked.)
 0 = DPLL phase-lock parameters are met (as determined by [DPLLCR5.NALOL](#), [FLLOL](#), [FLEN](#), [CLEN](#))
 1 = DPLL loss of phase lock

Bit 3: DPLL Frequency Soft Alarm (SOFT). This real-time status bit indicates whether or not the DPLL is tracking its reference within the soft alarm limits specified in the [SOFTLIM](#) register. See section [5.6.5](#).
 0 = No alarm; frequency is within the soft alarm limits
 1 = Soft alarm; frequency is outside the soft alarm limits

Bits 2 to 0: DPLL Operating State (STATE[2:0]). This real-time status field indicates the current state of the DPLL state machine. Values not listed below correspond to invalid (unused) states. See section [5.6.1](#).
 001 = Free-run
 010 = Holdover
 100 = Locked
 101 = Prelocked 2
 110 = Prelocked
 111 = Loss-of-lock

Register Name: PLL1LSR
Register Description: DPLL Latched Status Register
Register Address: A1h

	Bit 7	Bit 6	Bit 5	Bit 4	Bit 3	Bit 2	Bit 1	Bit 0
Name	MCFAIL	FHORDY	SHORDY	STATE	SRFAIL	NOIN	PHMON	—
Default	0	0	0	0	0	0	0	0

Bit 7: MCLK Oscillator Failure (MCFAIL). This latched status bit is set to 1 when the device detects that the MCLKOSC signal is not toggling or is grossly off frequency. MCFAIL is cleared when written with a 1. After being cleared, MCFAIL is not set again if the MCLK signal remains grossly off frequency, but it is set again if the MCLK signal is not toggling at all. When MCFAIL is set it can cause an interrupt request if the [PLL1IER.MCFAIL](#) interrupt enable bit is set. See section [5.3.3](#).

Bit 6: DPLL Fast Holdover Frequency Ready (FHORDY). This latched status bit is set to 1 when the DPLL has a holdover value that has been averaged over the 5.8-minute holdover averaging period. FHORDY is cleared when written with a 1. When FHORDY is set it can cause an interrupt request if the [PLL1IER.FHORDY](#) interrupt enable bit is set. See section [5.6.1.6](#).

Bit 5: DPLL Slow Holdover Frequency Ready (SHORDY). This latched status bit is set to 1 when DPLL has a holdover value that has been averaged over the 93.2-minute holdover averaging period. SHORDY is cleared when written with a 1. When SHORDY is set it can cause an interrupt request if the [PLL1IER.SHORDY](#) interrupt enable bit is set. See section [5.6.1.6](#).

Bit 4: DPLL State Change (STATE). This latched status bit is set to 1 when the operating state of the DPLL changes. STATE is cleared when written with a 1 and not set again until the DPLL operating state changes again. When STATE is set it can cause an interrupt request if the [PLL1IER.STATE](#) interrupt enable bit is set. The current operating state can be read from [PLL1SR.STATE](#). See section [5.6.1](#).

Bit 3: DPLL Selected Reference Failed (SRFAIL). This latched status bit is set to 1 when the DPLL's selected reference fails, (i.e., no clock edges in a few clock cycles). SRFAIL is cleared when written with a 1. When SRFAIL is set it can cause an interrupt request if the [PLL1IER.SRFAIL](#) interrupt enable bit is set. SRFAIL is not set in free-run or holdover states. See section [5.5.2.3](#).

Bit 2: DPLL No Valid Inputs Alarm (NOIN). This latched status bit is set to 1 when the DPLL has no valid inputs available. NOIN is cleared when written with a 1 unless the DPLL still has no valid inputs available. When NOIN is set it can cause an interrupt request if the [PLL1IER.NOIN](#) interrupt enable bit is set.

Bit 1: DPLL Phase Monitor Alarm (PHMON). This latched status bit is set to 1 when the DPLL's phase monitor alarm limit ([PHMON.PHMONLIM](#)) has been exceeded. PHMON is cleared when written with a 1 and not set again until the threshold is exceeded again. When PHMON is set it can cause an interrupt request if the [PLL1IER.PHMON](#) interrupt enable bit is set. See section [5.6.6](#).

Register Name: VALSR1
Register Description: Input Clock Valid Status Register 1
Register Address: A2h

	Bit 7	Bit 6	Bit 5	Bit 4	Bit 3	Bit 2	Bit 1	Bit 0
Name	—	—	—	—	—	—	IC2	IC1
Default	0	0	0	0	0	0	0	0

Bits 1 to 0: Input Clock Valid Status (IC2, IC1). Each of these real-time status bits is set to 1 when the corresponding input clock is valid. An input is valid if it has no active alarms (HARD = 0, ACT = 0, LOCK = 0 in the [ISR1](#) register). See also the [ICLSR1](#) register and Section [5.5.2](#).

0 = Invalid
 1 = Valid

Register Name: ICLSR1
Register Description: Input Clock Latched Status Register 1
Register Address: A3h

	Bit 7	Bit 6	Bit 5	Bit 4	Bit 3	Bit 2	Bit 1	Bit 0
Name	—	—	—	—	—	—	IC2	IC1
Default	1	1	1	1	1	1	1	1

Bits 1 to 0: Input Clock Status Change (IC2, IC1). Each of these latched status bits is set to 1 when the corresponding **VALSR1** status bit changes state (set or cleared). If soft frequency limit alarms are enabled (**ICCR2.SOFTEN** = 1), then each of these latched status bits is also set to 1 when the corresponding **ISR.SOFT** bit changes state (set or cleared). Each bit is cleared when written with a 1 and not set again until the **VALSR1** bit (or **SOFT** bit) changes state again. When one of these latched status bits is set it can cause an interrupt request if the corresponding interrupt enable bit is set in the **ICIER1** register. See section 5.5.2 for input clock validation/invalidation criteria.

Register Name: ISR1
Register Description: Input Status Register 1
Register Address: A4h

	Bit 7	Bit 6	Bit 5	Bit 4	Bit 3	Bit 2	Bit 1	Bit 0
Name	<u>SOFT2</u>	<u>HARD2</u>	<u>ACT2</u>	<u>LOCK2</u>	<u>SOFT1</u>	<u>HARD1</u>	<u>ACT1</u>	<u>LOCK1</u>
Default	0	1	1	0	0	1	1	0

Bit 7: Soft Frequency Limit Alarm for Input Clock 2 (SOFT2). This bit has the same behavior as the **SOFT1** bit but for the **IC2** input clock.

Bit 6: Hard Frequency Limit Alarm for Input Clock 2 (HARD2). This bit has the same behavior as the **HARD1** bit but for the **IC2** input clock.

Bit 5: Activity Alarm for Input Clock 2 (ACT2). This bit has the same behavior as the **ACT1** bit but for the **IC2** input clock.

Bit 4: Phase Lock Alarm for Input Clock 2 (LOCK2). This bit has the same behavior as the **LOCK1** bit but for the **IC2** input clock.

Bit 3: Soft Frequency Limit Alarm for Input Clock 1 (SOFT1). This real-time status bit indicates a soft frequency limit alarm for input clock 1. **SOFT1** is set to 1 when the frequency of **IC1** is greater than or equal to the soft limit set in the **ICSLIM** register. Soft alarms are disabled by default but can be enabled by setting **ICCR2.SOFTEN** = 1. A soft alarm does not invalidate an input clock. See section 5.5.2.1.

Bit 2: Hard Frequency Limit Alarm for Input Clock 1 (HARD1). This real-time status bit indicates a hard frequency limit alarm for input clock 1. **HARD1** is set to 1 when the frequency of **IC1** is greater than or equal to the rejection hard limit set in the **ICRHLIM** register. **HARD1** is set to 0 when the frequency of **IC1** is less than or equal to the acceptance hard limit set in the **IC AHLIM** register. Hard alarms are enabled by default but can be disabled by setting **ICCR2.HARDEN** = 0. A hard alarm clears the **IC1** status bit in the **VALSR1** register, invalidating the **IC1** clock. See section 5.5.2.1.

Bit 1: Activity Alarm for Input Clock 1 (ACT1). This real-time status bit is set to 1 when the leaky bucket accumulator for **IC1** reaches the alarm threshold specified in the **ICLBU** register. An activity alarm clears the **IC1** status bit in the **VALSR1** register, invalidating the **IC1** clock. See section 5.5.2.2.

Bit 0: Phase Lock Alarm for Input Clock 1 (LOCK1). This status bit is set to 1 if **IC1** is the selected reference for the **DPLL** and the **DPLL** cannot lock to it within the duration specified in the **PHLKTO** register (default = 100 seconds). A phase lock alarm clears the **IC1** status bit in **VALSR1**, invalidating the **IC1** clock. **LOCK1** can be automatically cleared after a programmable timeout period specified in the **LKATO** register (default = 100 seconds). System software can clear **LOCK1** by writing 0 to it, but writing 1 is ignored. See section 5.6.1.4.

Register Name: PLL1IER
Register Description: DPLL Interrupt Enable Register
Register Address: A6h

	Bit 7	Bit 6	Bit 5	Bit 4	Bit 3	Bit 2	Bit 1	Bit 0
Name	MCFAIL	FHORDY	SHORDY	STATE	SRFAIL	NOIN	PHMON	—
Default	0	0	0	0	0	0	0	0

Bit 7: Interrupt Enable for MCLK Oscillator Failure (MCFAIL). This bit is an interrupt enable for the MCFAIL bit in the [PLL1LSR](#) register.

- 0 = Mask the interrupt
- 1 = Enable the interrupt

Bit 6: Interrupt Enable for DPLL Fast Holdover Ready (FHORDY). This bit is an interrupt enable for the FHORDY bit in the [PLL1LSR](#) register.

- 0 = Mask the interrupt
- 1 = Enable the interrupt

Bit 5: Interrupt Enable for DPLL Slow Holdover Ready (SHORDY). This bit is an interrupt enable for the SHORDY bit in the [PLL1LSR](#) register.

- 0 = Mask the interrupt
- 1 = Enable the interrupt

Bit 4: Interrupt Enable for DPLL State Change (STATE). This bit is an interrupt enable for the STATE bit in the [PLL1LSR](#) register.

- 0 = Mask the interrupt
- 1 = Enable the interrupt

Bit 3: Interrupt Enable for DPLL Selected Reference Failed (SRFAIL). This bit is an interrupt enable for the SRFAIL bit in the [PLL1LSR](#) register.

- 0 = Mask the interrupt
- 1 = Enable the interrupt

Bit 2: Interrupt Enable for DPLL No Valid Inputs Alarm (NOIN). This bit is an interrupt enable for the NOIN bit in the [PLL1LSR](#) register.

- 0 = Mask the interrupt
- 1 = Enable the interrupt

Bit 1: Interrupt Enable for DPLL Phase Monitor Alarm (PHMON). This bit is an interrupt enable for the PHMON bit in the [PLL1LSR](#) register.

- 0 = Mask the interrupt
- 1 = Enable the interrupt

Register Name: ICIER1
Register Description: Input Clock Interrupt Enable Register 1
Register Address: A7h

	Bit 7	Bit 6	Bit 5	Bit 4	Bit 3	Bit 2	Bit 1	Bit 0
Name	—	—	—	—	—	—	IC2	IC1
Default	0	0	0	0	0	0	0	0

Bits 1 to 0: Interrupt Enable for Input Clock Status Change (IC2, IC1). Each of these bits is an interrupt enable control for the corresponding bit in the [ICLSR1](#) register.

- 0 = Mask the interrupt
- 1 = Enable the interrupt

7. JTAG and Boundary Scan

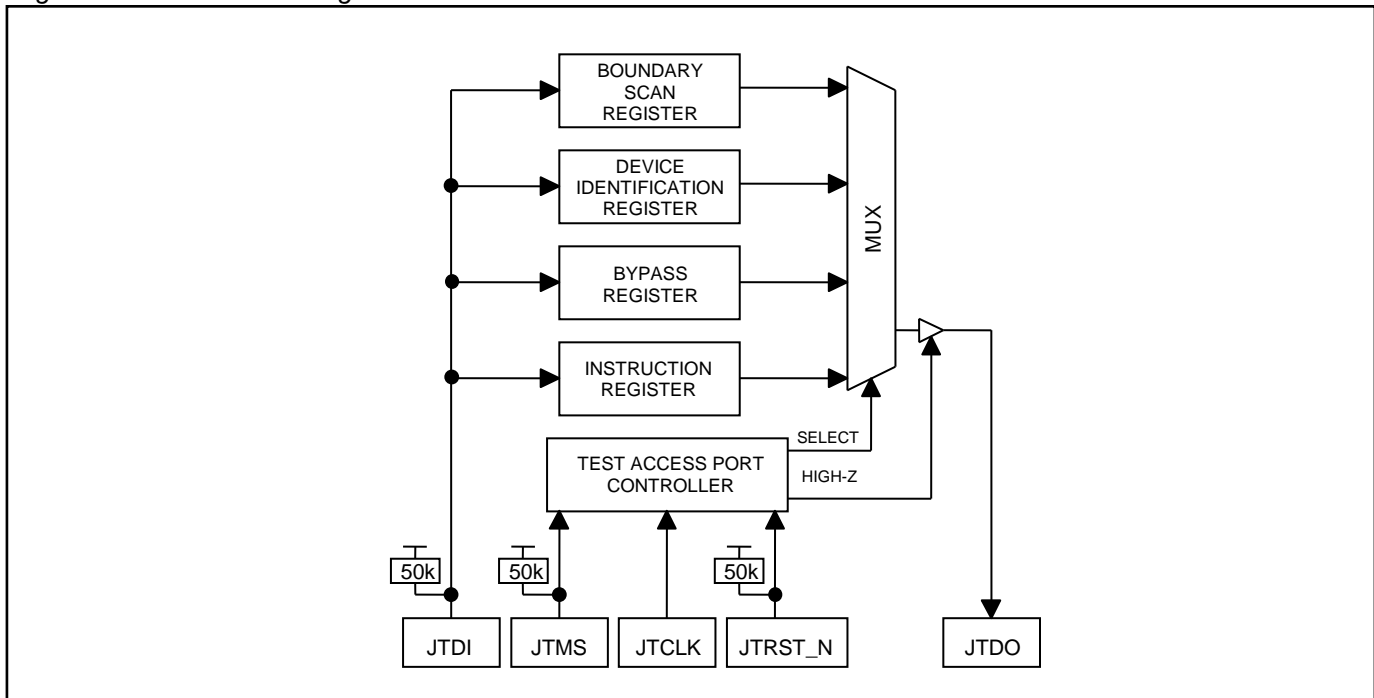
7.1 JTAG Description

The device supports the standard instruction codes SAMPLE/PRELOAD, BYPASS, and EXTEST. Optional public instructions included are HIGHZ, CLAMP, and IDCODE. Figure 7-1 shows a block diagram. The device contains the following items, which meet the requirements set by the IEEE 1149.1 Standard Test Access Port and Boundary Scan Architecture:

Test Access Port (TAP)	Bypass Register
TAP Controller	Boundary Scan Register
Instruction Register	Device Identification Register

The TAP has the necessary interface pins, namely JTCLK, JTRST_N, JTDI, JTDO, and JTMS. Details on these pins can be found in Table 4-5. Details about the boundary scan architecture and the TAP can be found in IEEE 1149.1-1990, IEEE 1149.1a-1993, and IEEE 1149.1b-1994.

Figure 7-1. JTAG Block Diagram



7.2 JTAG TAP Controller State Machine Description

This section discusses the operation of the TAP controller state machine. The TAP controller is a finite state machine that responds to the logic level at JTMS on the rising edge of JTCLK. Each of the states denoted in [Figure 7-2](#) is described in the following paragraphs.

Test-Logic-Reset. Upon device power-up, the TAP controller starts in the Test-Logic-Reset state. The instruction register contains the IDCODE instruction. All system logic on the device operates normally.

Run-Test-Idle. Run-Test-Idle is used between scan operations or during specific tests. The instruction register and all test registers remain idle.

Select-DR-Scan. All test registers retain their previous state. With JTMS low, a rising edge of JTCLK moves the controller into the Capture-DR state and initiates a scan sequence. JTMS high moves the controller to the Select-IR-SCAN state.

Capture-DR. Data can be parallel-loaded into the test register selected by the current instruction. If the instruction does not call for a parallel load or the selected test register does not allow parallel loads, the register remains at its current value. On the rising edge of JTCLK, the controller goes to the Shift-DR state if JTMS is low or to the Exit1-DR state if JTMS is high.

Shift-DR. The test register selected by the current instruction is connected between JTDI and JTDO and data is shifted one stage toward the serial output on each rising edge of JTCLK. If a test register selected by the current instruction is not placed in the serial path, it maintains its previous state.

Exit1-DR. While in this state, a rising edge on JTCLK with JTMS high puts the controller in the Update-DR state, which terminates the scanning process. A rising edge on JTCLK with JTMS low puts the controller in the Pause-DR state.

Pause-DR. Shifting of the test registers is halted while in this state. All test registers selected by the current instruction retain their previous state. The controller remains in this state while JTMS is low. A rising edge on JTCLK with JTMS high puts the controller in the Exit2-DR state.

Exit2-DR. While in this state, a rising edge on JTCLK with JTMS high puts the controller in the Update-DR state and terminates the scanning process. A rising edge on JTCLK with JTMS low puts the controller in the Shift-DR state.

Update-DR. A falling edge on JTCLK while in the Update-DR state latches the data from the shift register path of the test registers into the data output latches. This prevents changes at the parallel output because of changes in the shift register. A rising edge on JTCLK with JTMS low puts the controller in the Run-Test-Idle state. With JTMS high, the controller enters the Select-DR-Scan state.

Select-IR-Scan. All test registers retain their previous state. The instruction register remains unchanged during this state. With JTMS low, a rising edge on JTCLK moves the controller into the Capture-IR state and initiates a scan sequence for the instruction register. JTMS high during a rising edge on JTCLK puts the controller back into the Test-Logic-Reset state.

Capture-IR. The Capture-IR state is used to load the shift register in the instruction register with a fixed value. This value is loaded on the rising edge of JTCLK. If JTMS is high on the rising edge of JTCLK, the controller enters the Exit1-IR state. If JTMS is low on the rising edge of JTCLK, the controller enters the Shift-IR state.

Shift-IR. In this state, the instruction register's shift register is connected between JTDI and JTDO and shifts data one stage for every rising edge of JTCLK toward the serial output. The parallel register and the test registers remain at their previous states. A rising edge on JTCLK with JTMS high moves the controller to the Exit1-IR state. A rising edge on JTCLK with JTMS low keeps the controller in the Shift-IR state, while moving data one stage through the instruction shift register.

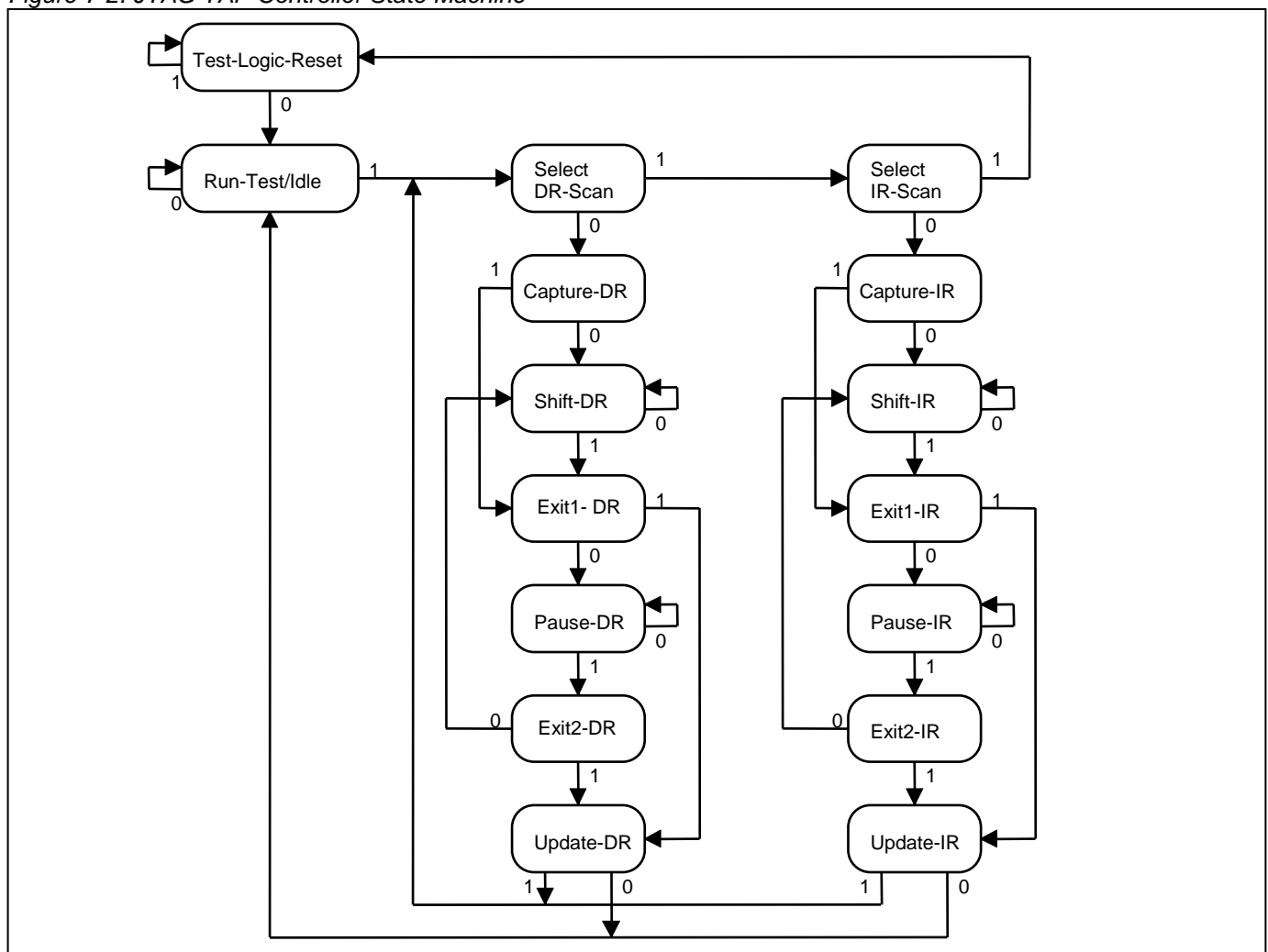
Exit1-IR. A rising edge on JTCLK with JTMS low puts the controller in the Pause-IR state. If JTMS is high on the rising edge of JTCLK, the controller enters the Update-IR state and terminates the scanning process.

Pause-IR. Shifting of the instruction register is halted temporarily. With JTMS high, a rising edge on JTCLK puts the controller in the Exit2-IR state. The controller remains in the Pause-IR state if JTMS is low during a rising edge on JTCLK.

Exit2-IR. A rising edge on JTCLK with JTMS high puts the controller in the Update-IR state. The controller loops back to the Shift-IR state if JTMS is low during a rising edge of JTCLK in this state.

Update-IR. The instruction shifted into the instruction shift register is latched into the parallel output on the falling edge of JTCLK as the controller enters this state. Once latched, this instruction becomes the current instruction. A rising edge on JTCLK with JTMS low puts the controller in the Run-Test-Idle state. With JTMS high, the controller enters the Select-DR-Scan state.

Figure 7-2. JTAG TAP Controller State Machine



7.3 JTAG Instruction Register and Instructions

The instruction register contains a shift register as well as a latched parallel output and is 3 bits in length. When the TAP controller enters the Shift-IR state, the instruction shift register is connected between JTDI and JTDO. While in the Shift-IR state, a rising edge on JTCLK with JTMS low shifts data one stage toward the serial output at JTDO. A rising edge on JTCLK in the Exit1-IR state or the Exit2-IR state with JTMS high moves the controller to the Update-IR state. The falling edge of that same JTCLK latches the data in the instruction shift register to the instruction parallel output. [Table 7-1](#) shows the instructions supported and their respective operational binary codes.

Table 7-1. JTAG Instruction Codes

INSTRUCTIONS	SELECTED REGISTER	INSTRUCTION CODES
SAMPLE/PRELOAD	Boundary Scan	010
BYPASS	Bypass	111
EXTEST	Boundary Scan	000
CLAMP	Bypass	011
HIGHZ	Bypass	100
IDCODE	Device Identification	001

SAMPLE/PRELOAD. SAMPLE/PRELOAD is a mandatory instruction for the IEEE 1149.1 specification. This instruction supports two functions. First, the digital I/Os of the device can be sampled at the boundary scan register, using the Capture-DR state, without interfering with the device's normal operation. Second, data can be shifted into the boundary scan register through JTDI using the Shift-DR state.

EXTEST. EXTEST allows testing of the interconnections to the device. When the EXTEST instruction is latched in the instruction register, the following actions occur: (1) Once the EXTEST instruction is enabled through the Update-IR state, the parallel outputs of the digital output pins are driven. (2) The boundary scan register is connected between JTDI and JTDO. (3) The Capture-DR state samples all digital inputs into the boundary scan register.

BYPASS. When the BYPASS instruction is latched into the parallel instruction register, JTDI is connected to JTDO through the 1-bit bypass register. This allows data to pass from JTDI to JTDO without affecting the device's normal operation.

IDCODE. When the IDCODE instruction is latched into the parallel instruction register, the device identification register is selected. The device ID code is loaded into the device identification register on the rising edge of JTCLK, following entry into the Capture-DR state. Shift-DR can be used to shift the ID code out serially through JTDO. During Test-Logic-Reset, the ID code is forced into the instruction register's parallel output.

HIGHZ. All digital outputs are placed into a high-impedance state. The bypass register is connected between JTDI and JTDO.

CLAMP. All digital output pins output data from the boundary scan parallel output while connecting the bypass register between JTDI and JTDO. The outputs do not change during the CLAMP instruction.

7.4 JTAG Test Registers

IEEE 1149.1 requires a minimum of two test registers—the bypass register and the boundary scan register. An optional test register, the identification register, has been included in the device design. It is used with the IDCODE instruction and the Test-Logic-Reset state of the TAP controller.

Bypass Register. This is a single 1-bit shift register used with the BYPASS, CLAMP, and HIGHZ instructions to provide a short path between JTDI and JTDO.

Boundary Scan Register. This register contains a shift register path and a latched parallel output for control cells and digital I/O cells. The BSDL files are available on the MAX24305/10 page of Microsemi’s website.

Identification Register. This register contains a 32-bit shift register and a 32-bit latched parallel output. It is selected during the IDCODE instruction and when the TAP controller is in the Test-Logic-Reset state. The device identification code for the MAX24305 and MAX24310 are shown in Table 7-2.

Table 7-2. JTAG ID Code

DEVICE	REVISION	DEVICE CODE	MANUFACTURER CODE	REQUIRED
MAX24305	Contact factory	0000 0000 1100 0010	00010100001	1
MAX24310	Contact factory	0000 0000 1100 0011	00010100001	1

8. Electrical Characteristics

ABSOLUTE MAXIMUM RATINGS

Voltage Range on Any Pin with Respect to V_{SS} (except Power Supply Pins)	-0.3V to +5.5V
Supply Voltage Range, Nominal 1.8V Supply with Respect to V_{SS}	-0.3V to +1.98V
Supply Voltage Range, Nominal 3.3V Supply with Respect to V_{SS}	-0.3V to +3.63V
Supply Voltage Range, VDDOx (x=A B C D) with Respect to V_{SS}	-0.3V to +3.63V
Ambient Operating Temperature Range	-40°C to +85°C
Junction Operating Temperature Range	-40°C to +125°C
Storage Temperature Range	-55°C to +125°C
Soldering Temperature (reflow)	+260°C

Stresses beyond those listed under "Absolute Maximum Ratings" may cause permanent damage to the device. These are stress ratings only, and functional operation of the device at these or any other conditions beyond those indicated in the operational sections of the specifications is not implied. Exposure to the absolute maximum rating conditions for extended periods may affect device. Ambient operating temperature range when device is mounted on a four-layer JEDEC test board with no airflow.

Note 1: The typical values listed in the tables of Section 8 are not production tested.

Note 2: Specifications to -40°C are guaranteed by design and not production tested.

Table 8-1. Recommended DC Operating Conditions

PARAMETER	SYMBOL	CONDITIONS	MIN	TYP	MAX	UNITS
Supply Voltage, Nominal 1.8V	VDD18		1.71	1.8	1.89	V
Supply Voltage, Nominal 3.3V	VDD33		3.135	3.3	3.465	V
Supply Voltage, VDDOx (x=A B C D)	VDDOx		1.425	1.5, 1.8, 2.5, 3.3	3.465	V
Ambient Temperature Range	T_A		-40		+85	°C
Junction Temperature Range	T_J		-40		+125	°C

Table 8-2. Electrical Characteristics: Supply Currents

(1.8V Supplies: 1.8V ±5%; 3.3V Supplies: 3.3V ±5%, T_A = -40°C to +85°C)

PARAMETER	SYMBOL	CONDITIONS	MIN	TYP ²	MAX	UNITS
MAX24310 Total Current, All 1.8V Supply Pins	I_{DD18}	Note 1		465	575	mA
MAX24310 Total Current, All 3.3V Supply Pins	I_{DD33}	Note 1		330	405	mA
MAX24305 Total Current, All 1.8V Supply Pins	I_{DD18}	Note 1		375	441	mA
MAX24305 Total Current, All 3.3V Supply Pins	I_{DD33}	Note 1		240	305	mA
1.8V Supply Current Change from Enabling or Disabling APLL2	$\Delta I_{DD18APLL}$			50		mA
3.3V Supply Current Change from Enabling or Disabling APLL2	$\Delta I_{DD33APLL}$			75		mA
1.8V Supply Current Change from Enabling or Disabling the Input Block	$\Delta I_{DD18ICB}$			14		mA
1.8V Supply Current Change from Enabling or Disabling the DPLL	$\Delta I_{DD18DPLL}$			90		mA
1.8V Supply Current Change from Enabling or Disabling a CML Output, Standard Swing	$\Delta I_{DD18CML}$			22		mA
3.3V Supply Current Change from Enabling or Disabling a CML Output, Standard Swing	$\Delta I_{DD33CML}$			16		mA
1.8V Supply Current Change from Enabling or Disabling a CML Output, Narrow Swing	$\Delta I_{DD18CMLN}$			22		mA
3.3V Supply Current Change from Enabling or Disabling a CML Output, Narrow Swing	$\Delta I_{DD33CMLN}$			8		mA
VDDO18x Supply Current Change from Enabling or Disabling a Pair of Single-Ended Outputs	$\Delta I_{DD18CMOS}$			8		mA
VDDOx Supply Current Change from Enabling or Disabling a Pair of Single-Ended Outputs	$\Delta I_{DD33CMOS}$			6		mA
1.8V Supply Current Change from Enabling or Disabling an Input Clock	ΔI_{DD18IN}			6		mA

PARAMETER	SYMBOL	CONDITIONS	MIN	TYP ²	MAX	UNITS
1.8V Supply Current Change from Enabling or Disabling the Crystal Oscillator	$\Delta I_{DD18DFS}$			4		mA

Note 1: Max I_{DD} measurements made with all blocks enabled, 750MHz signals on both inputs, and all outputs enabled as CML outputs driving 750MHz signals.

Note 2: Typical values measured at 1.80V and 3.30V supply voltages and 25°C ambient temperature.

Table 8-3. Electrical Characteristics: Non-Clock CMOS/TTL Pins

(1.8V Supplies: 1.8V $\pm 5\%$; 3.3V Supplies: 3.3V $\pm 5\%$, $T_A = -40^\circ\text{C}$ to $+85^\circ\text{C}$)

PARAMETER	SYMBOL	CONDITIONS	MIN	TYP	MAX	UNITS
Input High Voltage	V_{IH}		2.0			V
Input Low Voltage	V_{IL}				0.8	V
Input Leakage	I_{IL}	Note 1	-10		10	μA
Input Leakage, Pins with Internal Pullup Resistor (50k Ω typ)	I_{ILPU}	Note 1	-85		10	μA
Input Leakage, Pins with Internal Pulldown Resistor (50k Ω typ)	I_{ILPD}	Note 1	-10		85	μA
Output Leakage (when High Impedance)	I_{LO}	Note 1	-10		10	μA
Output High Voltage	V_{OH}	$I_O = -4.0\text{mA}$	2.4			V
Output Low Voltage	V_{OL}	$I_O = 4.0\text{mA}$			0.4	V
Input Capacitance	C_{IN}			3		pF

Note 1: $0\text{V} < V_{IN} < V_{DD33}$ for all other digital inputs.

Table 8-4. Electrical Characteristics: Clock Inputs

 (1.8V Supplies: 1.8V ±5%; 3.3V Supplies: 3.3V ±5%, T_A = -40°C to +85°C)

PARAMETER	SYMBOL	CONDITIONS	MIN	TYP	MAX	UNITS
Input Voltage Tolerance (ICPOS or ICNEG, Single-Ended)	V _{TOL}	Note 1	0		VDD33	V
Input Voltage Range, (ICPOS or ICNEG, Single-Ended)	V _{IN}	V _{ID} = 100mV	0		2.4	V
Input Bias Voltage	V _{CMI}	Note 2		1.2		V
Input Differential Voltage	V _{ID}	Note 3	0.1		1.4	V
Input Frequency to Input block	f _i	Differential			750	MHz
Input Frequency to Input block	f _i	Single-Ended			160	MHz
Input Frequency to APLL Mux	f _i	Differential	9.72		750	MHz
Input Frequency to APLL Mux	f _i	Single-Ended	9.72		160	MHz
Minimum Input Clock High, Low Time	t _H , t _L			smaller of 3ns or 0.3 x 1/f _i		ns
Differential Input Capacitance	C _{ID}			1.5		pF

Note 1: The device can tolerate voltages as specified in V_{TOL} w.r.t. VSS on its ICxPOS and ICxNEG pins without being damaged. For differential input signals, proper operation of the input circuitry is only guaranteed when the other specifications in this table, including V_{IN}, are met. For single-ended signals, the input circuitry accepts signals that meet the V_{IH} and V_{IL} specifications in Table 8-3 above (but with V_{IH} max of VDD33).

Note 2: See internal resistors in Figure 8-1. Other common mode voltages can be set using external resistors.

Note 3: V_{ID} = V_{ICPOS} - V_{ICNEG}

Note 4: The differential inputs can easily be interfaced to LVDS, LVPECL, and CML outputs on neighboring ICs using a few external passive components. See Figure 8-1 and App Note HFAN-1.0 for details.

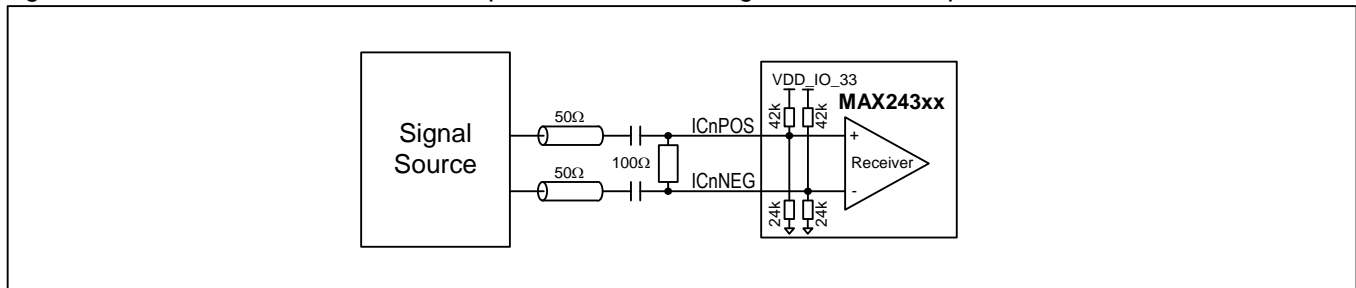
Figure 8-1. Recommended External Components for Interfacing to Differential Inputs


Table 8-5. Electrical Characteristics: CML Clock Outputs

 (1.8V Supplies: 1.8V ±5%; 3.3V Supplies: 3.3V ±5%, VDDOx = 3.3V±5% (x=A|B|C|D); T_A = -40°C to +85°C)

PARAMETER	SYMBOL	CONDITIONS	MIN	TYP	MAX	UNITS
Output Frequency	f _{OCML}				750	MHz
Output High Voltage (OCPOS or OCNEG, Singled-Ended)	V _{OH,S}	Standard Swing (OCCR2.OCSEF=1), AC coupled to 50Ω termination		VDDOx - 0.2		V
Output Low Voltage (OCPOS or OCNEG, Singled-Ended)	V _{OL,S}			VDDOx - 0.6		V
Output Common Mode Voltage	V _{CM,S}			VDDOx - 0.4		V
Differential Output Voltage	V _{OD,S}		320	400	500	mV
Differential Output Voltage Peak-to-Peak	V _{OD,S,PP}		640	800	1000	mV _{P-P}
Output High Voltage (OCPOS or OCNEG, Singled-Ended)	V _{OH,N}	Narrow Swing (half the power) (OCCR2.OCSEF=2), AC coupled to 50Ω termination		VDDOx - 0.1		V
Output Low Voltage (OCPOS or OCNEG, Singled-Ended)	V _{OL,N}			VDDOx - 0.3		V
Output Common Mode Voltage	V _{CM,N}			VDDOx - 0.2		V
Differential Output Voltage	V _{OD,N}		160	200	250	mV
Differential Output Voltage Peak-to-Peak	V _{OD,N,PP}		320	400	500	mV _{P-P}
Difference in Magnitude of Differential Voltage for Complementary States	V _{DOS}				50	mV
Output Rise/Fall Time	t _R , t _F	20%-80%		150		ps
Output Duty Cycle		Notes 2	45	50	55	%
Output Duty Cycle		Notes 3	40		60	%
Output Impedance	R _{OUT}	Single Ended, to VDDOx		50		Ω
Mismatch in a pair	ΔR _{OUT}				10	%

Note 1: The differential CML outputs can easily be interfaced to LVDS, LVPECL, and CML outputs on neighboring ICs using a few external passive components. See [Figure 8-2](#) and [App Note HFAN-1.0](#) for details.

Note 2: For all HSDIV, MSDIV and OCDIV combinations other than those specified in Note 3.

Note 3: For the case when [APLLCR1.HSDIV](#) specifies a half divide and [OCCR1.MSDIV](#)=0 and [OCDIV](#)=0.

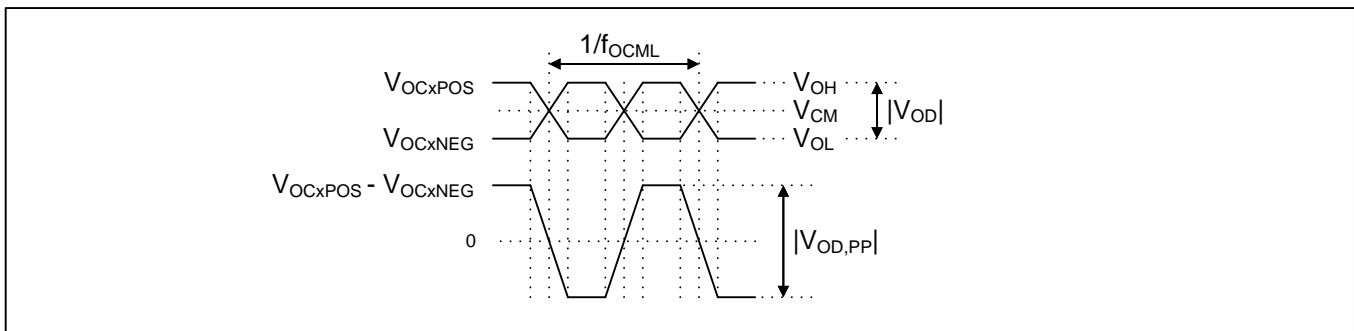


Figure 8-2. Recommended External Components for Interfacing to CML Outputs

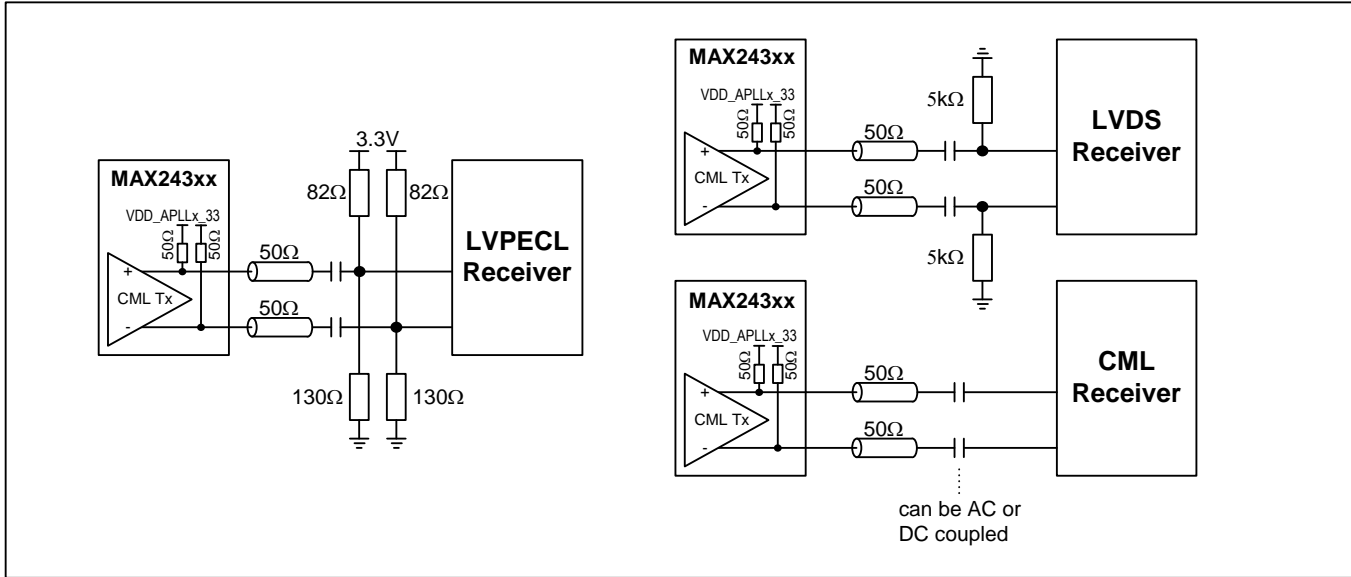


Table 8-6. Electrical Characteristics: CMOS and HSTL (Class I) Clock Outputs

(1.8V Supplies: 1.8V ±5%; 3.3V Supplies: 3.3V ±5%, VDDOx = 1.425V to 3.465V (x=A|B|C|D); T_A = -40°C to +85°C)

PARAMETER	SYMBOL	CONDITIONS	MIN	TYP	MAX	UNITS
Output Frequency	f _{OCML}		<<1Hz ¹		160	MHz
Output High Voltage	V _{OH}	Notes 3, 4	VDDOx -0.4		VDDOx	V
Output Low Voltage	V _{OL}	Notes 3, 4	0		0.4	V
Output Rise/Fall Time, VDDOx=1.8V, OCCR2.DRIVE=4x	t _R , t _F	2pF load		0.4		ns
Output Rise/Fall Time, VDDOx=1.8V, OCCR2.DRIVE=4x	t _R , t _F	15pF load		1.2		ns
Output Rise/Fall Time, VDDOx=3.3V, OCCR2.DRIVE=1x	t _R , t _F	2pF load		0.7		ns
Output Rise/Fall Time, VDDOx=3.3V, OCCR2.DRIVE=1x	t _R , t _F	15pF load		2.2		ns
Output Duty-Cycle			45	50	55	%
Output Current When Output Disabled		OCCR2.OCSF=0		10		μA

Note 1: Guaranteed by design.

Note 2: Measured with a series resistor of 33Ω and a 10pF load capacitance unless otherwise specified.

Note 3: For HSTL Class I, V_{OH} and V_{OL} apply for both unterminated loads and for symmetrically terminated loads, i.e. 50Ω to VDDOx/2.

Note 4: For VDDOx=3.3V and OCCR2.DRIVE=1x, I_O=4mA. For VDDOx=1.5V and OCCR2.DRIVE=4x, I_O=8mA.

Interfacing to HCSL Components

Outputs in HSTL mode with $V_{DDOx}=1.5V$ or $V_{DDOx}=1.8V$ can provide an HCSL signal (V_{OH} typ. 0.75V) to a neighboring component when configured as shown in [Figure 8-3](#) below. For $V_{DDOx}=1.5V$ the value of R_S should be set to 30Ω and `OCRR2.DRIVE` should be set to 4x. For $V_{DDOx}=1.8V$ the value of R_S should be set to 20Ω and `OCRR2.DRIVE` should be set to 2x.

Figure 8-3. Recommended Configuration for Interfacing to HCSL Components

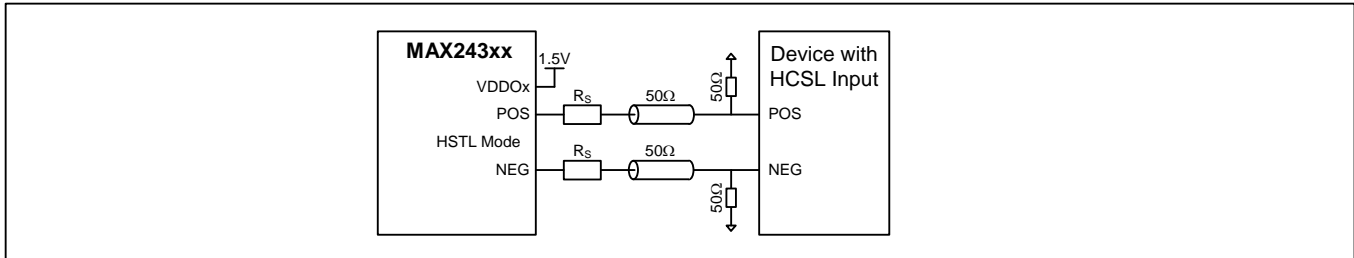


Table 8-7. Electrical Characteristics: Clock Output Timing

(1.8V Supplies: $1.8V \pm 5\%$; 3.3V Supplies: $3.3V \pm 5\%$, $T_A = -40^\circ C$ to $+85^\circ C$)

PARAMETER	SYMBOL	CONDITIONS	MIN	TYP	MAX	UNITS
APLL VCO Frequency Range	f_{VCO}		3715		4180	MHz
APLL Phase-Frequency Detector Compare Frequency	t_{PFD}		9.72		102.4	MHz

Table 8-8. Electrical Characteristics: Jitter Specifications

(1.8V Supplies: $1.8V \pm 5\%$; 3.3V Supplies: $3.3V \pm 5\%$, $T_A = -40^\circ C$ to $+85^\circ C$)

PARAMETER	SYMBOL	CONDITIONS	MIN	TYP	MAX	UNITS
Output Jitter, DPLL+APLL, 622.08MHz		Notes 1, 5		0.36	0.48	ps RMS
Output Jitter, APLL-Only, 622.08MHz		Notes 1, 6		0.19	0.35	ps RMS
Jitter Transfer Bandwidth, DPLL+APLL		Note 3	Programmable: 0.1 to 400			Hz
Jitter Transfer Bandwidth, APLL-Only		Note 4		400		kHz

Note 1: Jitter calculated from integrated phase noise from 12kHz to 20MHz.

Note 2: If DPLL is enabled and clocked from MCLKOSCP/N pins, the signal on MCLKOSCP/N has phase noise at 100kHz offset from the carrier $\leq -150dBc/Hz$.

Note 3: DPLL damping factor is also programmable. Other DPLL bandwidths can be achieved with DPLL DSP code changes. Contact the factory for details.

Note 4: APLL bandwidth and damping factor can be field configured over a limited range. Contact the factory for details.

Note 5: Tested with 51.2MHz MCLKOSC signal from production tester, 4096MHz APLL2 VCO frequency divided down to 204.8MHz DPLL master clock frequency. 77.76MHz DFS frequency to APLL1.

Note 6: Tested with 77.76MHz from production tester, 3732.48MHz VCO frequency.

Table 8-9. Electrical Characteristics: Typical Output Jitter Performance, APLL Only

APLL Locked to External 78.125MHz XO (Vectron VCC1-1540-78M12500), DPLL Disabled			
APLL1 Output Frequency	Output Jitter ps RMS	APLL2 Output Frequency	Output Jitter ps RMS
625MHz	0.18	APLL2 Disabled	
156.25MHz	0.23		
125MHz	0.27		
25MHz CMOS	0.34		
622.08MHz	0.28		
155.52MHz	0.35		
622.08MHz * 255/237	0.30		
155.52MHz * 255/237	0.36		
614.4MHz	0.29		
153.6MHz	0.33		
625MHz	0.19		622.08MHz
156.25MHz	0.24	155.52MHz	0.38
156.25MHz	0.23	156.25MHz * 66/64	0.38

Table 8-10. Electrical Characteristics: Typical Output Jitter Performance, DPLL+APLL

DPLL Locked to 25MHz Input on IC1, APLL1 Locked to DPLL			
98.304MHz XO (Vectron VCC1-1542-98M304) on MCLKOSCP/N to APLL2, 196.608MHz Master Clock from APLL2 to DPLL, 70MHz DFS frequency to APLL1.		20.48MHz Stratum 3 TCXO (Conner-Winfield MX602-20.48M) on MCLKOSCP/N to APLL2, 204.8MHz Master Clock from APLL2 to DPLL, 70MHz DFS frequency to APLL1.	
APLL1 Output Frequency	Output Jitter, ps RMS	APLL1 Output Frequency	Output Jitter, ps RMS
625MHz	0.33	625MHz	0.42
156.25MHz	0.39	156.25MHz	0.47
125MHz	0.37	125MHz	0.44
25MHz CMOS	0.45	25MHz CMOS	0.52
622.08MHz	0.32	622.08MHz	0.41
155.52MHz	0.39	155.52MHz	0.47
622.08MHz * 255/237	0.36	622.08MHz * 255/237	0.42
155.52MHz * 255/237	0.40	155.52MHz * 255/237	0.48
614.4MHz	0.33	614.4MHz	0.44
153.6MHz	0.38	153.6MHz	0.48

Note: All signals in Table 8-9 and Table 8-10 are differential unless otherwise stated. Jitter is integrated 12kHz to 5MHz for 25MHz output frequency and 12kHz to 20MHz for all other output frequencies.

Table 8-11. Electrical Characteristics: Typical Input-to-Output Clock Delay

 (1.8V Supplies: 1.8V \pm 5%; 3.3V Supplies: 3.3V \pm 5%, T_A = -40°C to +85°C)

MODE	DELAY, INPUT CLOCK EDGE TO OUTPUT CLOCK EDGE
DPLL+APLL Mode	<p>\pm 1 UI of APLL Output Clock (Output of HSDIV) For example if APLL output clock is 625MHz, then delay is \pm1.6ns. Requires DPLLCR6.PBOEN=0 and OFFSET field set to -15 UI of the APLL output clock.</p> <p>Delay can be tuned for all outputs traceable to the DPLL using the OFFSET field. Delay for an individual output can be tuned using the OCCR3.PHADJ field.</p>
APLL-Only Mode	non-deterministic but constant as long as the APLL remains locked and alignment is not changed by the APLLCR1.DALIGN and OCCR3.DALEN bits.

Table 8-12. Electrical Characteristics: Typical Output-to-Output Clock Delay

 (1.8V Supplies: 1.8V \pm 5%; 3.3V Supplies: 3.3V \pm 5%, T_A = -40°C to +85°C)

MODE	DELAY, OUTPUT CLOCK EDGE TO OUTPUT CLOCK EDGE
DPLL+APLL or APLL-Only	<p><100ps</p> <p>Requires use of APLLCR1.DALIGN and OCCR3.DALEN bits. See the register field descriptions for details.</p>

Table 8-13. Electrical Characteristics: SPI Interface Timing

 (1.8V Supplies: 1.8V \pm 5%; 3.3V Supplies: 3.3V \pm 5%, T_A = -40°C to +85°C) (See [Figure 8-4](#).)

PARAMETER (Note 1, 2)	SYMBOL	CONDITIONS	MIN	TYP	MAX	UNITS
SCLK Frequency	f_{BUS}				4	MHz
SCLK Cycle Time	t_{CYC}		250			ns
CS_N Setup to First SCLK Edge	t_{SUC}		125			ns
CS_N Hold Time After Last SCLK Edge	t_{HDC}		125			ns
SCLK High Time	t_{CLKH}		100			ns
SCLK Low Time	t_{CLKL}		100			ns
SDI Data Setup Time	t_{SUI}		30			ns
SDI Data Hold Time	t_{HDI}		40			ns
SDO Enable Time (High-Impedance to Output Active)	t_{EN}		0			ns
SDO Disable Time (Output Active to High-Impedance)	t_{DIS}				25	ns
SDO Data Valid Time	t_{DV}				100	ns
SDO Data Hold Time After Update SCLK Edge	t_{HDO}		5			ns

Note 1: All timing is specified with 100pF load on all SPI pins.

Note 2: All parameters in this table are guaranteed by design.

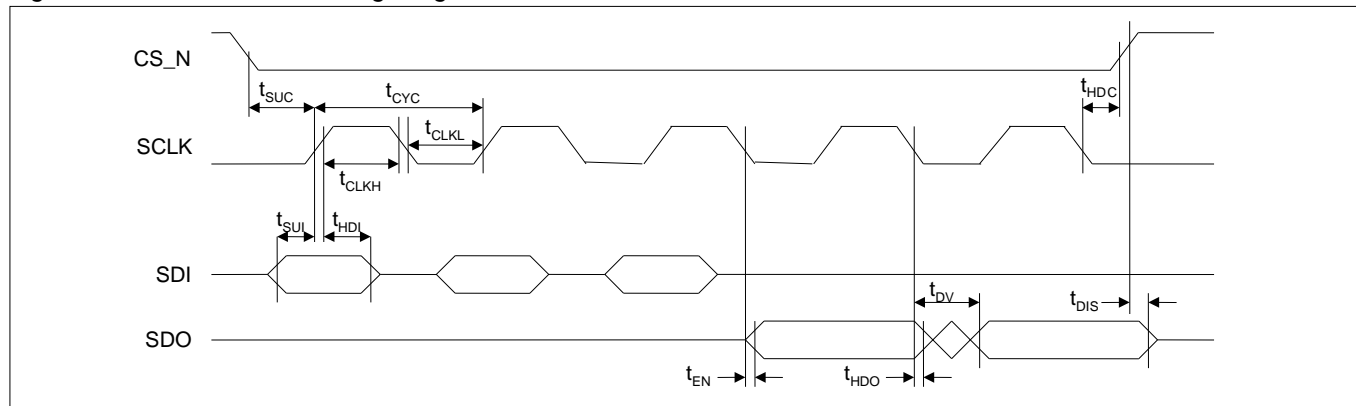
Figure 8-4. SPI Interface Timing Diagram


Table 8-14. Electrical Characteristics: JTAG Interface Timing

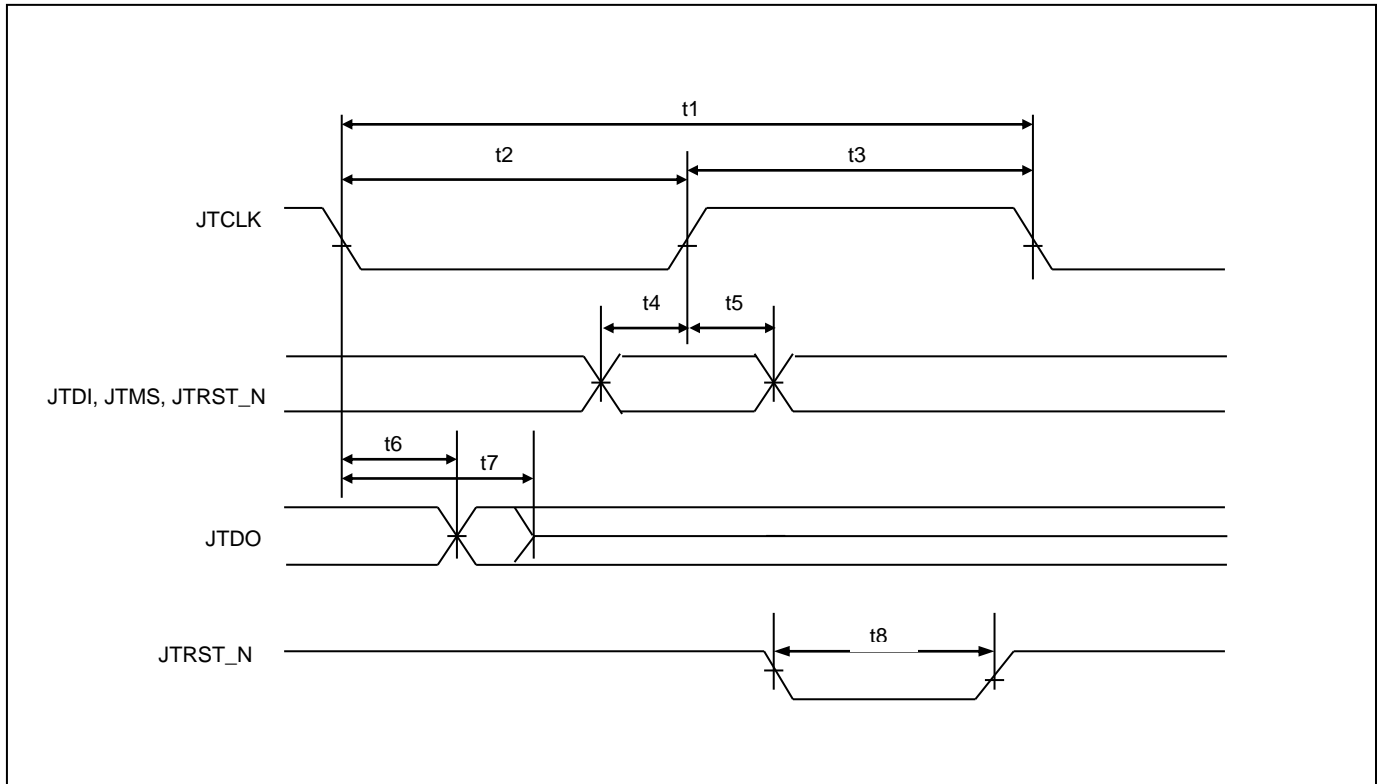
(1.8V Supplies: 1.8V ±5%; 3.3V Supplies: 3.3V ±5%, T_A = -40°C to +85°C) (See [Figure 8-5.](#))

PARAMETER (Note 1)	SYMBOL	CONDITIONS	MIN	TYP	MAX	UNITS
JTCLK Clock Frequency	f _{JTAG}				15.625	MHz
JTCLK Clock Period	t ₁		64			ns
JTCLK Clock High/Low Time	t ₂ /t ₃	Note 2	32			ns
JTCLK to JTDI, JTMS Setup Time	t ₄		16			ns
JTCLK to JTDI, JTMS Hold Time	t ₅		16			ns
JTCLK to JTDO Delay	t ₆		2		16	ns
JTCLK to JTDO High-Impedance Delay	t ₇		2		16	ns
JTRST_N Width Low Time	t ₈		100			ns

Note 1: All parameters in this table are guaranteed by design.

Note 2: Clock can be stopped high or low.

Figure 8-5. JTAG Timing Diagram



9. Pin Assignments

9.1 MAX24305 Pin Assignment

Table 9-1 below lists pin assignments sorted in alphabetical order by pin name. Figure 9-1 shows pin assignments arranged by pin number.

Table 9-1. MAX24305 Pin Assignments Sorted by Signal Name

PIN NAME	PIN NUMBERS	PIN NAME	PIN NUMBERS
CS_N	B7	VDD_33	D7
GPIO1	A8	VDD_APLL1_18	E6
GPIO2	B8	VDD_APLL1_33	E7
GPIO3	A2	VDD_APLL2_18	E4
GPIO4	B2	VDD_APLL2_33	E3
IC1NEG	B9	VDD_DIG_18	D4, E5
IC1POS	A9	VDD_OC_18	G3
IC2NEG	B1	VDD_XO_18	G5
IC2POS	A1	VDD_XO_33	G6
JTCLK	B5	VDDO18A	C9
JTDI	C5	VDDO18B	H6
JTDO	B6	VDDO18C	H4
JTMS	C7	VDDO18D	C1
JTRST_N	C6	VDDOA	D8
MCLKOSCP	A3	VDDOB	G8
MCLKOSCN	B3	VDDOC	G2
OC1NEG	E8	VDDOD	D2
OC1POS	E9	VSS_APLL1	F6, F7
OC2NEG	F8	VSS_APLL2	F3, F4
OC2POS	F9	VSS_DIG	D5, F5
OC3NEG	H9	VSS_OC	G4
OC3POS	J9	VSS_XO	G7
OC8NEG	H1	VSSOA	D9
OC8POS	J1	VSSOB	G9, J6
OC10NEG	E2	VSSOC	G1, J4
OC10POS	E1	VSSOD	D1
RST_N	C8	VSUB	D3
SCLK	A6	XIN	H5
SDI	A7	XOUT	J5
SDO	A5	N.C.	F1, F2, H2, H3, H7, H8, J2, J3, J7, J8
TEST	C2	D.N.C.	A4, B4, C3, C4
VDD_18	D6		

Figure 9-1. MAX24305 Pin Assignment Diagram

	1	2	3	4	5	6	7	8	9
A	IC2POS	GPIO3	MCLKOSCP	D.N.C.	SDO	SCLK	SDI	GPIO1	IC1POS
B	IC2NEG	GPIO4	MCLKOSCN	D.N.C.	JTCLK	JTDO	CS_N	GPIO2	IC1NEG
C	VDDO18D	TEST	D.N.C.	D.N.C.	JTDI	JTRST_N	JTMS	RST_N	VDDO18A
D	VSSOD	VDDOD	VSUB	VDD_DIG_18	VSS_DIG	VDD_18	VDD_33	VDDOA	VSSOA
E	OC10POS	OC10NEG	VDD_APLL2_33	VDD_APLL2_18	VDD_DIG_18	VDD_APLL1_18	VDD_APLL1_33	OC1NEG	OC1POS
F	N.C.	N.C.	VSS_APLL2	VSS_APLL2	VSS_DIG	VSS_APLL1	VSS_APLL1	OC2NEG	OC2POS
G	VSSOC	VDDOC	VDD_OC_18	VSS_OC	VDD_XO_18	VDD_XO_33	VSS_XO	VDDOB	VSSOB
H	OC8NEG	N.C.	N.C.	VDDO18C	XIN	VDDO18B	N.C.	N.C.	OC3NEG
J	OC8POS	N.C.	N.C.	VSSOC	XOUT	VSSOB	N.C.	N.C.	OC3POS

- Differential I/O (up to 750MHz)
- Low-Speed Digital I/O ($\leq 10\text{MHz}$)
- VDD 3.3V
- VDD 1.8V
- VSS
- APLL or XO VDD 3.3V
- APLL or XO VDD 1.8V
- APLL or XO VSS
- Output VDD 1.5-3.3V
- Output VDD 1.8V
- Output VSS
- Crystal I/O
- N.C. = No Connection. Lead is not connected to anything inside the device, or
- D.N.C. = Do Not Connect. Lead is internally connected. Do not connect anything to this lead.

9.2 MAX24310 Pin Assignment

Table 9-2 below lists pin assignments sorted in alphabetical order by pin name. Figure 9-2 shows pin assignments arranged by pin number.

Table 9-2. MAX24310 Pin Assignments Sorted by Signal Name

PIN NAME	PIN NUMBERS	PIN NAME	PIN NUMBERS
CS_N	B7	RST_N	C8
GPIO1	A8	SCLK	A6
GPIO2	B8	SDI	A7
GPIO3	A2	SDO	A5
GPIO4	B2	TEST	C2
IC1NEG	B9	VDD_18	D6
IC1POS	A9	VDD_33	D7
IC2NEG	B1	VDD_APLL1_18	E6
IC2POS	A1	VDD_APLL1_33	E7
JTCLK	B5	VDD_APLL2_18	E4
JTDI	C5	VDD_APLL2_33	E3
JTDO	B6	VDD_DIG_18	D4, E5
JTMS	C7	VDD_OC_18	G3
JTRST_N	C6	VDD_XO_18	G5
MCLKOSCP	A3	VDD_XO_33	G6
MCLKOSCN	B3	VDDO18A	C9
OC1NEG	E8	VDDO18B	H6
OC1POS	E9	VDDO18C	H4
OC2NEG	F8	VDDO18D	C1
OC2POS	F9	VDDOA	D8
OC3NEG	H9	VDDOB	G8
OC3POS	J9	VDDOC	G2
OC4NEG	H8	VDDOD	D2
OC4POS	J8	VSS_APLL1	F6, F7
OC5NEG	H7	VSS_APLL2	F3, F4
OC5POS	J7	VSS_DIG	D5, F5
OC6NEG	H3	VSS_OC	G4
OC6POS	J3	VSS_XO	G7
OC7NEG	H2	VSSOA	D9
OC7POS	J2	VSSOB	G9, J6
OC8NEG	H1	VSSOC	G1, J4
OC8POS	J1	VSSOD	D1
OC9NEG	F2	VSUB	D3
OC9POS	F1	XIN	H5
OC10NEG	E2	XOUT	J5
OC10POS	E1	D.N.C.	A4, B4, C3, C4
		N.C.	none

Figure 9-2. MAX24310 Pin Assignment Diagram

	1	2	3	4	5	6	7	8	9
A	IC2POS	GPIO3	MCLKOSCP	D.N.C.	SDO	SCLK	SDI	GPIO1	IC1POS
B	IC2NEG	GPIO4	MCLKOSCN	D.N.C.	JTCLK	JTDO	CS_N	GPIO2	IC1NEG
C	VDDO18D	TEST	D.N.C.	D.N.C.	JTDI	JTRST_N	JTMS	RST_N	VDDO18A
D	VSSOD	VDDOD	VSUB	VDD_DIG_18	VSS_DIG	VDD_18	VDD_33	VDDOA	VSSOA
E	OC10POS	OC10NEG	VDD_APLL2_33	VDD_APLL2_18	VDD_DIG_18	VDD_APLL1_18	VDD_APLL1_33	OC1NEG	OC1POS
F	OC9POS	OC9NEG	VSS_APLL2	VSS_APLL2	VSS_DIG	VSS_APLL1	VSS_APLL1	OC2NEG	OC2POS
G	VSSOC	VDDOC	VDD_OC_18	VSS_OC	VDD_XO_18	VDD_XO_33	VSS_XO	VDDOB	VSSOB
H	OC8NEG	OC7NEG	OC6NEG	VDDO18C	XIN	VDDO18B	OC5NEG	OC4NEG	OC3NEG
J	OC8POS	OC7POS	OC6POS	VSSOC	XOUT	VSSOB	OC5POS	OC4POS	OC3POS

- Differential I/O (up to 750MHz)
- Low-Speed Digital I/O (≤ 10 MHz)
- VDD 3.3V
- VDD 1.8V
- VSS
- APLL or XO VDD 3.3V
- APLL or XO VDD 1.8V
- APLL or XO VSS
- Output VDD 1.5-3.3V
- Output VDD 1.8V
- Output VSS
- Crystal I/O
- N.C. = No Connection. Lead is not connected to anything inside the device, or
- D.N.C. = Do Not Connect. Lead is internally connected. Do not connect anything to this lead.

10. Package and Thermal Information

For the latest package outline information and land patterns contact Microsemi timing products technical support..

PACKAGE TYPE	PACKAGE CODE	OUTLINE NO.	LAND PATTERN
81 CSBGA	X8100M+4	21-0360	See IPC-7351

10.1 Package Top Mark Format

Figure 10-1. Non-Customized Device Top Mark

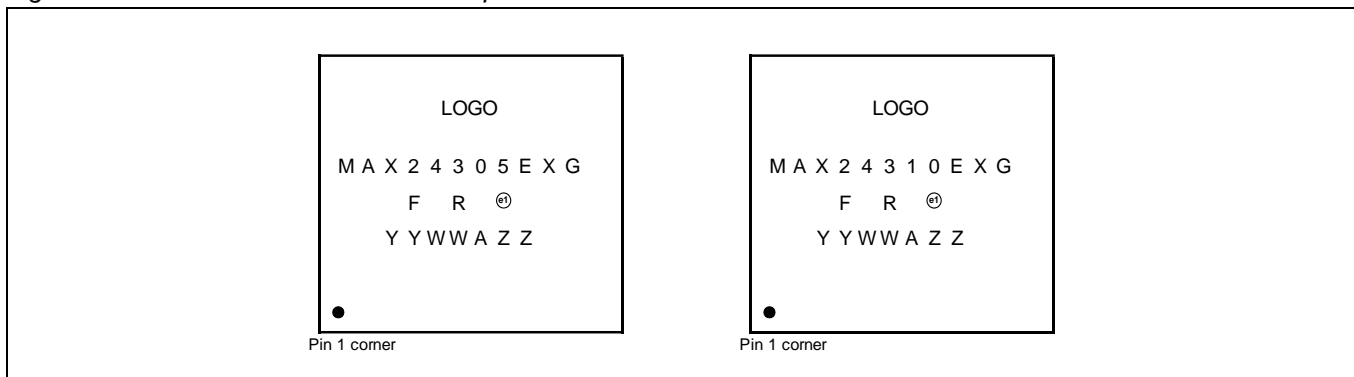


Figure 10-2. Custom Factory-Programmed Device Top Mark

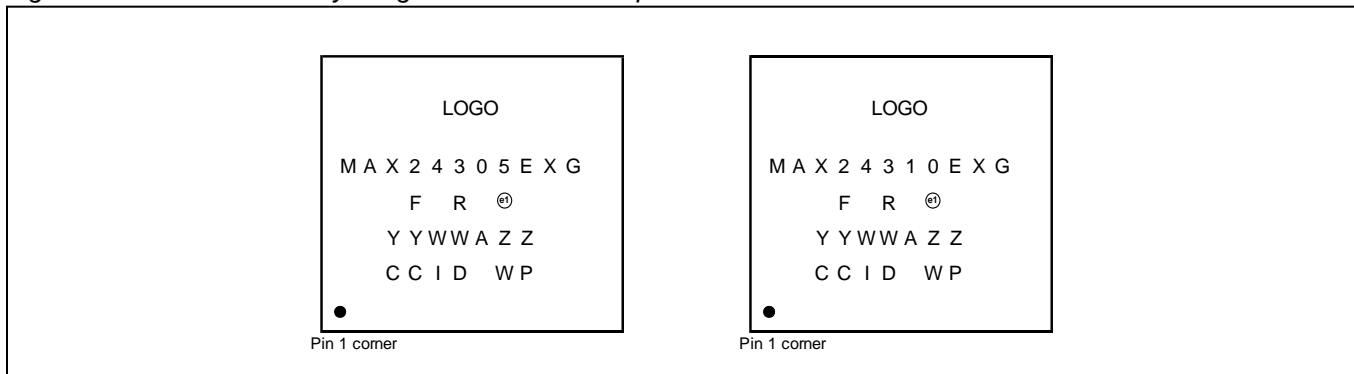


Table 10-1. Package Top Mark Legend

Line	Characters	Description
1	MAX24305EXG or MAX24310EXG	Part Number
2	F	Fab Code
2	R	Product Revision Code
2	e1	Denotes Pb-Free Package
3	YY	Last Two Digits of the Year of Encapsulation
3	WW	Work Week of Assembly
3	A	Assembly Location Code
3	ZZ	Assembly Lot Sequence Code
4	CCID	Custom Programming Identification Code
4	WP	Work Week of Programming

10.2 Thermal Specifications

Table 10-2. CSBGA Package Thermal Properties

PARAMETER	SYMBOL	CONDITIONS	VALUE	UNITS
Minimum Ambient Temperature	T_A		-40	°C
Maximum Ambient Temperature	T_A		85	°C
Minimum Junction Temperature	T_J		-40	°C
Maximum Junction Temperature	T_J		125	°C
Junction to Ambient Thermal Resistance (Note 1)	θ_{JA}	still air,	24.9	°C/W
		1m/s airflow	22.7	
		2m/s airflow	21.9	
Junction to Board Thermal Resistance	θ_{JB}		14.1	°C/W
Junction to Case Thermal Resistance	θ_{JC}		4.1	°C/W
Junction to Top-Center Thermal Characterization Parameter	Ψ_{JT}	still air,	0.3	°C/W
		1m/s airflow	0.4	
		2m/s airflow	0.4	

Note 1: Theta-JA (θ_{JA}) is the junction to ambient thermal resistance when the package is mounted on a six-layer JEDEC standard test board and dissipating maximum power.

If the maximum ambient temperature seen by the device in the application is greater than 70°C then care must be taken to keep the device's junction temperature below the 125°C max specification. In this case CML outputs should be configured for half-swing mode whenever possible, and air flow may be required, depending on which blocks in the device are enabled in the application. Microsemi offers the MAX24xxx Power and Thermal Calculator spreadsheet to calculate typical and worst-case power consumption and device junction temperature. Contact Microsemi applications support to request this spreadsheet.

11. Acronyms and Abbreviations

APLL	analog phase locked loop
BITS	building integrated timing supply
CML	current mode logic
DFS	digital frequency synthesis
DPLL	digital phase locked loop
EEC	Ethernet equipment clock
GbE	gigabit Ethernet
I/O	input/output
LVDS	low-voltage differential signal
LVPECL	low-voltage positive emitter-coupled logic
MTIE	maximum time interval error
OCXO	oven controlled crystal oscillator
PBO	phase build-out
PFD	phase/frequency detector
PLL	phase locked loop
ppb	parts per billion
ppm	parts per million
pk-pk	peak-to-peak
RMS	root-mean-square
RO	read-only
R/W	read/write
SDH	synchronous digital hierarchy
SEC	SDH equipment clock
SETS	synchronous equipment timing source
SONET	synchronous optical network
SSU	synchronization supply unit
STM	synchronous transport module
TDEV	time deviation
TCXO	temperature-compensated crystal oscillator
UI	unit interval
UI _{PP} or UI _{P-P}	unit interval, peak to peak
XO	crystal oscillator

12. Standards

Table 12-1. Applicable Standards

SPECIFICATION	SPECIFICATION TITLE
ANSI	
T1.101	<i>Synchronization Interface Standard, 1999</i>
ETSI	
EN 300 417-6-1	<i>Transmission and Multiplexing (TM); Generic Requirements of Transport Functionality of Equipment; Part 6-1: Synchronization Layer Functions, v1.1.3 (1999-05)</i>
EN 300 462-3-1	<i>Transmission and Multiplexing (TM); Generic Requirements for Synchronization Networks; Part 3-1: The Control of Jitter and Wander within Synchronization Networks, v1.1.1 (1998-05)</i>
EN 300 462-5-1	<i>Transmission and Multiplexing (TM); Generic Requirements for Synchronization Networks; Part 5-1: Timing Characteristics of Slave Clocks Suitable for Operation in Synchronous Digital Hierarchy (SDH) Equipment, v1.1.1 (1998-05)</i>
IEEE	
IEEE 1149.1	<i>Standard Test Access Port and Boundary-Scan Architecture, 1990</i>
ITU-T	
G.781	<i>Synchronization Layer Functions (06/1999)</i>
G.783	<i>ITU G.783 Characteristics of Synchronous Digital Hierarchy (SDH) Equipment Functional Blocks (10/2000 plus Amendment 1 06/2002 and Corrigendum 2 03/2003)</i>
G.812	<i>Timing Requirements of Slave Clocks Suitable for Use as Node Clocks in Synchronization Networks (06/1998)</i>
G.813	<i>Timing characteristics of SDH equipment slave clocks (SEC) (03/2003)</i>
G.823	<i>The Control of Jitter and Wander within Digital Networks which are Based on the 2048kbps Hierarchy (03/2000)</i>
G.824	<i>The Control of Jitter and Wander within Digital Networks which are Based on the 1544kbps Hierarchy (03/2000)</i>
G.825	<i>The Control of Jitter and Wander within Digital Networks which are Based on the Synchronous Digital Hierarchy (SDH) (03/2000)</i>
G.8261	<i>Timing and Synchronization Aspects in Packet Networks (05/2006)</i>
G.8262	<i>Timing characteristics of Synchronous Ethernet Equipment slave clock (EEC) (07/2010)</i>
TELCORDIA	
GR-253-CORE	<i>SONET Transport Systems: Common Generic Criteria, Issue 3, September 2000</i>
GR-378-CORE	<i>Generic Requirements for Timing Signal Generators, Issue 2, February 1999</i>
GR-499-CORE	<i>Transport Systems Generic Requirements (TSGR) Common Requirements, Issue 2, December 1998</i>
GR-1244-CORE	<i>Clocks for the Synchronized Network: Common Generic Criteria, Issue 3, May 2005</i>

13. Data Sheet Revision History

REVISION DATE	DESCRIPTION
2012-02	Initial release
2012-03	In Table 8-2 added max values for MAX24305 I _{DD18} and I _{DD33} .
2012-04	Reformatted for Microsemi. No content change.
2012-05	<p>Updated most of the typical ΔI_{DD} numbers in Table 8-2 from characterization data.</p> <p>Edited Table 8-8 to clarify that the max output jitter spec was for 622.08MHz and to reduce the typical value from 0.5 to 0.36 and the max value from 0.7 to 0.6.</p> <p>In the XIN pin description, removed text that described XIN as internally AC coupled and able to accept signals as small as 100mV.</p> <p>In the third paragraph of section 5.3.2 corrected capacitance values to match Figure 5-6.</p> <p>Changed Figure 5-6 to show components R1 and R2 and added Note 1 below the figure.</p> <p>In sections 3.2 and 5.6.1.6.2 added mention of NCO mode.</p>
2012-06	<p>Documented PBTIMER register and added a reference to it in section 5.3.1.</p> <p>Updated page 1 and section 3.3 statements about output jitter to say 0.35-0.5ps RMS typical.</p>
2012-07	Corrected several typos (no effect on electrical specs or behavior except additional decode documented for APLLCR2 . APLLMUX).
2012-08	<p>Change Note 1 below Figure 5-6 to discuss final R1 and R2 values.</p> <p>Changed Table 8-7 to show final VCO range rather than rev A1 VCO range.</p>
2012-11	<p>Updated Table 10-2 to latest θ_{JA} numbers and added θ_{JB}, θ_{JC}, and ψ_{JT} numbers.</p> <p>In section 5.6.12 added HOFREQ to list of registers affected by ± 160ppm tracking range mode.</p>
2013-02	<p>On page 1 and in section 3.3, reduced jitter numbers from “0.35 to 0.5ps and as low as 0.24ps” to “0.18 to 0.3ps RMS for an APLL-only integer multiply and 0.25 to 0.4ps RMS otherwise”</p> <p>In section 5.2.1 second paragraph and Table 8-8 changed typical APLL jitter transfer bandwidth from 200kHz to 400kHz.</p> <p>In Table 8-7 changed VCO range from 3700–4200MHz to 3715–4180MHz..</p> <p>In Table 8-8, changed output jitter max from 0.6 to 0.48 ps RMS. Also added text to Note 5 to specify 204.8MHz DPLL master clock frequency and 77.76MHz DFS frequency.</p> <p>In Table 8-9 and Table 8-10 revised all numbers lower and specified XOs used for rev B jitter measurement.</p> <p>Edited the PLL1LSR.MCFAIL bit description to clarify behavior during continuing MCLK defects.</p> <p>Added 49.152MHz to Note 1 of Table 5-1 and added 98.304MHz to Table 5-2 and its Note 1.</p> <p>In section 5.2.2, section 5.3.3 and the MCR2.MCDIV, MCDNOM1 and MCINOM1 register descriptions changed the DPLL master clock range to 190MHz – 208.333MHz.</p> <p>Edited the DFSCR1.DFSREQ register field description to say DFS frequency choices are limited when the DPLL’s nominal master clock frequency is different than 204.8MHz.</p> <p>Edited FREQ, HOFREQ, MCFREQ, HRDLIM and SOFTLIM register descriptions to include the factor $R = f_{MCLK} / 204.8\text{MHz}$ in the equations to convert register values to ppm or ppb values.</p> <p>Changed the method for setting the MCAC field from table look-up to calculation to handle both the FMRES=0 and FMRES=1 cases.</p> <p>In the FMEAS register description, added text to specify the offset error if the DPLL’s nominal master clock frequency is not an integer multiple of 500Hz.</p> <p>In the ICCR3.FMONLEN description, clarified the existing options are for ICCR4.FMRES=0 and</p>

REVISION DATE	DESCRIPTION
	added the alternative options that are available when ICCR4.FMRES=1 .
2013-05	In section 10 replaced the land pattern hyperlink with the recommendation to see IPC-7351.
2013-08	<p>In Table 8-8, renamed spec “Output Jitter, 622.08MHz” to “Output Jitter, DPLL+APLL, 622.08MHz” and added new spec “Output Jitter, APLL-Only, 622.08MHz”.</p> <p>In Table 8-9 heading, corrected typo: 50MHz to 78.125MHz.</p> <p>In Table 8-10 heading, corrected typo: 98.306MHz to 98.304MHz.</p> <p>Changed the constant in the HRDLIM register description from 1.2272 to 1.226433036 and changed the constant in the SOFTLIM register descripton from 0.3141632 to 0.313966857 to more accurate represent the implementation.</p>
2014-08	<p>In the JTRST_N pin description in Table 4-5 specified that JTRST_N should be held low during device power-up.</p> <p>Changed title to Any-to-Any.</p> <p>Edited section 5.5.1 to add “≥1MHz” to item 3.</p> <p>Edited the ICCR1 register description to say that <1MHz lock frequencies should not be used with input fractional scaling.</p> <p>In Table 8-5 changed differential output voltage symbols (regular and peak-to-peak) to have absolute value bars and added definition figure below the table.</p>
2014-10	<p>In Table 8-6 corrected typo: changed VCCOx to VDDOx.</p> <p>Added section 10.1 to document package top mark.</p>
2015-06	<p>In section 5.5.1 third bullet, specified that input frequency must be ≥1MHz and must divide by at least 4.</p> <p>Above Table 8-7 in the <i>Interfacing to HCSL Components</i> paragraph, added component values and settings for VDDOx=1.8V.</p>
2016-09	<p>Added content to the OFFSET register description to describe the need to avoid OFFSET≠0 during DPLL state transition to Free-Run and to provide guidance on how to do that.</p> <p>Added a row for HOFREQ1-HOFREQ4 to the table in section 6.1.4 because it was mistakenly left out.</p>
2016-11	In Table 8-14 updated JTAG interface timing from 1MHz to 15.625MHz.
2019-04	Change "+" to "2" in ordering part numbers.



Microsemi Corporate Headquarters
One Enterprise
Aliso Viejo, CA 92656 USA

Within the USA: +1 (800) 713-4113
Outside the USA: +1 (949) 380-6100
Sales: +1 (949) 380-6136
Fax: +1 (949) 215-4996

E-mail: sales.support@microsemi.com

©2019 Microsemi Corporation. All rights reserved. Microsemi and the Microsemi logo are trademarks of Microsemi Corporation. All other trademarks and service marks are the property of their respective owners.

Microsemi Corporation (Nasdaq: MSCC) offers a comprehensive portfolio of semiconductor and system solutions for communications, defense & security, aerospace and industrial markets. Products include high-performance and radiation-hardened analog mixed-signal integrated circuits, FPGAs, SoCs and ASICs; power management products; timing and synchronization devices and precise time solutions, setting the world's standard for time; voice processing devices; RF solutions; discrete components; security technologies and scalable anti-tamper products; Power-over-Ethernet ICs and midspans; as well as custom design capabilities and services. Microsemi is headquartered in Aliso Viejo, Calif., and has approximately 3,400 employees globally. Learn more at www.microsemi.com.

Microsemi makes no warranty, representation, or guarantee regarding the information contained herein or the suitability of its products and services for any particular purpose, nor does Microsemi assume any liability whatsoever arising out of the application or use of any product or circuit. The products sold hereunder and any other products sold by Microsemi have been subject to limited testing and should not be used in conjunction with mission-critical equipment or applications. Any performance specifications are believed to be reliable but are not verified, and Buyer must conduct and complete all performance and other testing of the products, alone and together with, or installed in, any end-products. Buyer shall not rely on any data and performance specifications or parameters provided by Microsemi. It is the Buyer's responsibility to independently determine suitability of any products and to test and verify the same. The information provided by Microsemi hereunder is provided "as is, where is" and with all faults, and the entire risk associated with such information is entirely with the Buyer. Microsemi does not grant, explicitly or implicitly, to any party any patent rights, licenses, or any other IP rights, whether with regard to such information itself or anything described by such information. Information provided in this document is proprietary to Microsemi, and Microsemi reserves the right to make any changes to the information in this document or to any products and services at any time without notice.

Mouser Electronics

Authorized Distributor

Click to View Pricing, Inventory, Delivery & Lifecycle Information:

[Microchip:](#)

[MAX24310EXG2](#)