

**MSCSM120AM31CT1AG**  
**Datasheet**  
**Phase Leg SiC MOSFET Power Module**

January 2020



---

a  **MICROCHIP** company

# Contents

---

<b>1 Revision History.....</b>	<b>1</b>
1.1 Revision 1.0.....	1
<b>2 Product Overview.....</b>	<b>2</b>
2.1 Features.....	3
2.2 Benefits.....	3
2.3 Application.....	3
<b>3 Electrical Specifications.....</b>	<b>4</b>
3.1 SiC MOSFET Characteristics (Per MOSFET).....	4
3.2 Reverse SiC Diode Ratings and Characteristics (Per SiC Diode).....	6
3.3 Thermal and Package Characteristics.....	6
3.4 Typical SiC MOSFET Performance Curves.....	8
3.5 Typical SiC Diode Performance Curves.....	11
<b>4 Package Specifications.....</b>	<b>12</b>

# Tables

---

Table 1 • Absolute Maximum Ratings.....	4
Table 2 • Electrical Characteristics.....	4
Table 3 • Dynamic Characteristics.....	5
Table 4 • Body Diode Ratings and Characteristics.....	5
Table 5 • Reverse SiC Diode Characteristics.....	6
Table 6 • Package Characteristics.....	6
Table 7 • Temperature Sensor NTC1.....	7

# Figures

---

Figure 1 • MSCSM120AM31CT1AG Electrical Schematic.....2

Figure 2 • MSCSM120AM31CT1AG Pinout Location.....2

Figure 3 • Maximum Thermal Impedance.....8

Figure 4 • Output Characteristics,  $T_J = 25\text{ }^\circ\text{C}$ .....8

Figure 5 • Output Characteristics,  $T_J = 175\text{ }^\circ\text{C}$ .....8

Figure 6 • Normalized  $R_{DS(on)}$  vs. Temperature.....8

Figure 7 • Transfer Characteristics.....8

Figure 8 • Switching Energy vs.  $R_g$ .....9

Figure 9 • Switching Energy vs. Current.....9

Figure 10 • Capacitance vs. Drain Source Voltage.....9

Figure 11 • Gate Charge vs. Gate Source Voltage.....9

Figure 12 • Body Diode Characteristics,  $T_J = 25\text{ }^\circ\text{C}$ .....9

Figure 13 • 3rd Quadrant Characteristics,  $T_J = 25\text{ }^\circ\text{C}$ .....9

Figure 14 • Body Diode Characteristics,  $T_J = 175\text{ }^\circ\text{C}$ .....10

Figure 15 • 3rd Quadrant Characteristics,  $T_J = 175\text{ }^\circ\text{C}$ .....10

Figure 16 • Operating Frequency vs. Drain Current.....10

Figure 17 • Maximum Thermal Impedance.....11

Figure 18 • Forward Characteristics.....11

Figure 19 • Capacitance vs. Reverse Voltage.....11

Figure 20 • Package Outline.....12

# 1 Revision History

---

The revision history describes the changes that were implemented in the document. The changes are listed by revision, starting with the most current publication.

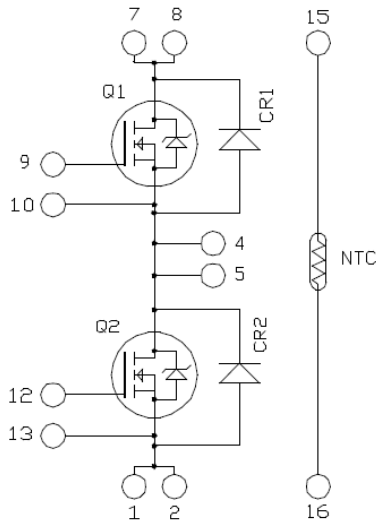
## 1.1 Revision 1.0

Revision 1.0 is the first publication of this document, published in January 2020.

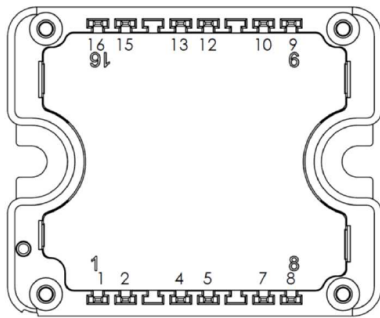
## 2 Product Overview

The MSCSM120AM31CT1AG is a phase leg 1200 V/89 A full Silicon Carbide power module.

**Figure 1 • MSCSM120AM31CT1AG Electrical Schematic**



**Figure 2 • MSCSM120AM31CT1AG Pinout Location**



Pins 1/2 ; 4/5 ; 7/8 must be shorted together

All ratings at  $T_j = 25\text{ }^\circ\text{C}$  unless otherwise specified.

**Caution:** These devices are sensitive to electrostatic discharge. Proper handling procedures should be followed.

## 2.1 Features

The following are key features of the MSCSM120AM31CT1AG device:

- SiC Power MOSFET
  - Low RDS(on)
  - High temperature performance
- Silicon carbide (SiC) Schottky diode
  - Zero reverse recovery
  - Zero forward recovery
  - Temperature-independent switching behavior
  - Positive temperature coefficient on VF
- Very low stray inductance
- Internal thermistor for temperature monitoring
- Aluminum nitride (AlN) substrate for improved thermal performance

## 2.2 Benefits

The following are benefits of the MSCSM120AM31CT1AG device:

- High power and efficiency converters and inverters
- Outstanding performance at high frequency operation
- Direct mounting to heatsink (isolated package)
- Low junction-to-case thermal resistance
- Solderable terminals both for power and signal for easy PCB mounting
- Low profile
- RoHS Compliant

## 2.3 Application

The MSCSM120AM31CT1AG device is designed for the following applications:

- Welding converters
- Switched Mode Power Supplies
- Uninterruptible Power Supplies
- EV motor and traction drive

## 3 Electrical Specifications

This section shows the electrical specifications of the MSCSM120AM31CT1AG device.

### 3.1 SiC MOSFET Characteristics (Per MOSFET)

This section describes the electrical characteristics of the MSCSM120AM31CT1AG device.

**Table 1 • Absolute Maximum Ratings**

Symbol	Parameter	Maximum Ratings	Unit
$V_{DSS}$	Drain-source voltage	1200	V
$I_D$	Continuous drain current	$T_C = 25\text{ }^\circ\text{C}$	89
		$T_C = 80\text{ }^\circ\text{C}$	71
$I_{DM}$	Pulsed drain current	180	
$V_{GS}$	Gate-source voltage	-10/25	V
$R_{DSon}$	Drain-source ON resistance	31	m $\Omega$
$P_D$	Power dissipation	$T_C = 25\text{ }^\circ\text{C}$	395

**Table 2 • Electrical Characteristics**

Symbol	Characteristic	Test Conditions	Min	Typ	Max	Unit
$I_{DSS}$	Zero gate voltage drain current	$V_{GS} = 0\text{ V}; V_{DS} = 1200\text{ V}$		10	100	$\mu\text{A}$
$R_{DSon}$	Drain-source on resistance	$V_{GS} = 20\text{ V}$ $I_D = 40\text{ A}$	$T_J = 25\text{ }^\circ\text{C}$	25	31	m $\Omega$
			$T_J = 175\text{ }^\circ\text{C}$	40		
$V_{GS(th)}$	Gate threshold voltage	$V_{GS} = V_{DS}, I_D = 1\text{ mA}$	1.8	2.8		V
$I_{GSS}$	Gate-source leakage current	$V_{GS} = 20\text{ V}, V_{DS} = 0\text{ V}$			150	nA



**Table 3 • Dynamic Characteristics**

Symbol	Characteristic	Test Conditions	Min	Typ	Max	Unit
$C_{iss}$	Input capacitance	$V_{GS} = 0\text{ V}$		3020		pF
$C_{oss}$	Output capacitance	$V_{DS} = 1000\text{ V}$ $f = 1\text{ MHz}$		270		
$C_{rss}$	Reverse transfer capacitance			25		
$Q_g$	Total gate charge	$V_{GS} = -5/20\text{ V}$		232		nC
$Q_{gs}$	Gate–source charge	$V_{BUS} = 800\text{ V}$ $I_D = 40\text{ A}$		41		
$Q_{gd}$	Gate–drain charge			50		
$T_{d(on)}$	Turn-on delay time	$V_{GS} = -5/20\text{ V}$		30		ns
$T_r$	Rise time	$V_{BUS} = 800\text{ V}$ $I_D = 50\text{ A}$		30		
$T_{d(off)}$	Turn-off delay time	$R_{Gon} = 8\Omega$ ; $R_{Goff} = 4.7\Omega$		50		
$T_f$	Fall time			25		
$E_{on}$	Turn on energy	Inductive Switching $V_{GS} = -5/20\text{ V}$	$T_J = 150\text{ }^\circ\text{C}$	0.99		mJ
$E_{off}$	Turn off energy	$V_{BUS} = 600\text{ V}$ $I_D = 50\text{ A}$ $R_{Gon} = 8\Omega$ $R_{Goff} = 4.7\Omega$	$T_J = 150\text{ }^\circ\text{C}$	0.66		mJ
$R_{Gint}$	Internal gate resistance			0.88		$\Omega$
$R_{thJC}$	Junction-to-case thermal resistance				0.38	$^\circ\text{C/W}$

**Table 4 • Body Diode Ratings and Characteristics**

Symbol	Characteristic	Test Conditions	Min	Typ	Max	Unit
$V_{SD}$	Diode forward voltage	$V_{GS} = 0\text{ V}$ ; $I_{SD} = 40\text{ A}$		4		V
		$V_{GS} = -5\text{ V}$ ; $I_{SD} = 40\text{ A}$		4.2		
$t_{rr}$	Reverse recovery time	$I_{SD} = 40\text{ A}$ ; $V_{GS} = -5\text{ V}$ ; $V_R = 800\text{ V}$ ; $diF/dt = 1000\text{ A}/\mu\text{s}$		90		ns
$Q_{rr}$	Reverse recovery charge			550		nC
$I_{rr}$	Reverse recovery current			13.5		A

### 3.2 Reverse SiC Diode Ratings and Characteristics (Per SiC Diode)

The following section shows the reverse SiC diode ratings and characteristics per diode of the device.

**Table 5 • Reverse SiC Diode Characteristics**

Symbol	Characteristic	Test Conditions		Min	Typ	Max	Unit
$V_{RRM}$	Peak repetitive reverse voltage					1200	V
$I_{RRM}$	Reverse leakage current	$V_R = 1200\text{ V}$	$T_J = 25\text{ °C}$		10	200	$\mu\text{A}$
			$T_J = 175\text{ °C}$		150		
$I_F$	DC forward current				30		A
$V_F$	Diode forward voltage	$I_F = 30\text{ A}$	$T_J = 25\text{ °C}$		1.5	1.8	V
			$T_J = 175\text{ °C}$		2.1		
$Q_C$	Total capacitive charge	$V_R = 600\text{ V}$			130		nC
C	Total capacitance	$f = 1\text{ MHz}, V_R = 400\text{ V}$			141		pF
		$f = 1\text{ MHz}, V_R = 800\text{ V}$			105		
$R_{thJC}$	Junction-to-case thermal resistance					0.9	$^{\circ}\text{C/W}$

### 3.3 Thermal and Package Characteristics

This section shows the thermal and package characteristics of the device.

**Table 6 • Package Characteristics**

Symbol	Characteristic			Min	Max	Unit
$V_{ISOL}$	RMS isolation voltage, any terminal to case $t = 1\text{ min}$ , 50/60Hz			4000		V
$T_J$	Operating junction temperature range			-40	175	$^{\circ}\text{C}$
$T_{JOP}$	Recommended junction temperature under switching conditions			-40	$T_{Jmax} - 25$	$^{\circ}\text{C}$
$T_{STG}$	Storage temperature range			-40	125	$^{\circ}\text{C}$
$T_C$	Operating case temperature			-40	125	$^{\circ}\text{C}$
Torque	Mounting torque	To heatsink	M4	2	3	N.m
Wt	Package weight				80	g

**Table 7 • Temperature Sensor NTC<sup>1</sup>**

Symbol	Characteristic	Min	Typ	Max	Unit
R <sub>25</sub>	Resistance at 25 °C		50		kΩ
ΔR <sub>25</sub> /R <sub>25</sub>			5		%
B <sub>25/85</sub>	T <sub>25</sub> = 298.15 K		3952		K
ΔB/B			4		%
					T <sub>c</sub> = 100 °C

$$R_T = \frac{R_{25}}{\exp\left[B_{25/85}\left(\frac{1}{T_{25}} - \frac{1}{T}\right)\right]}$$

T: Thermistor temperature  
R<sub>T</sub>: Thermistor value at T

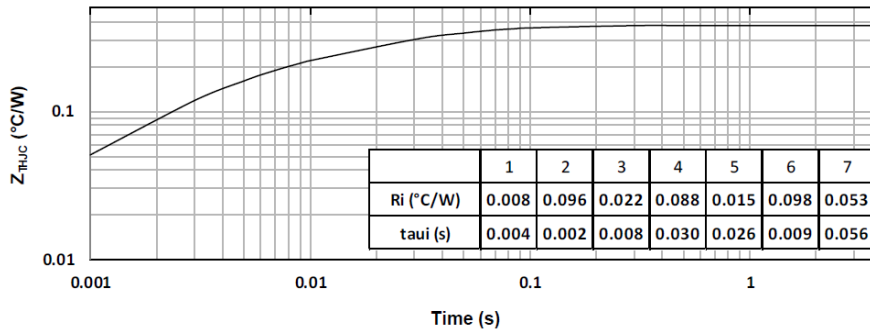
**Note:**

1. See application note APT0406 on [www.microsemi.com](http://www.microsemi.com).

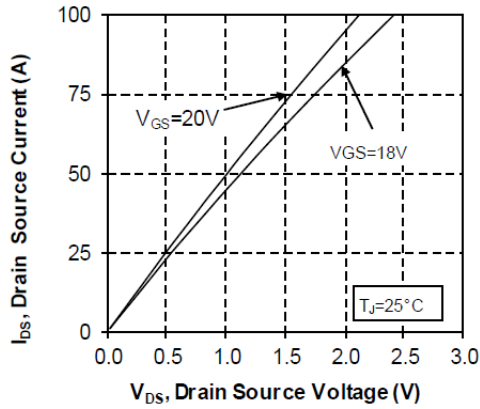
### 3.4 Typical SiC MOSFET Performance Curves

This section shows the typical performance curves of the MSCSM120AM31CT1AG SiC MOSFET.

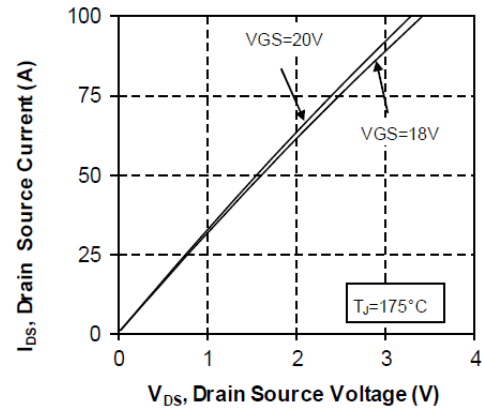
**Figure 3 • Maximum Thermal Impedance**



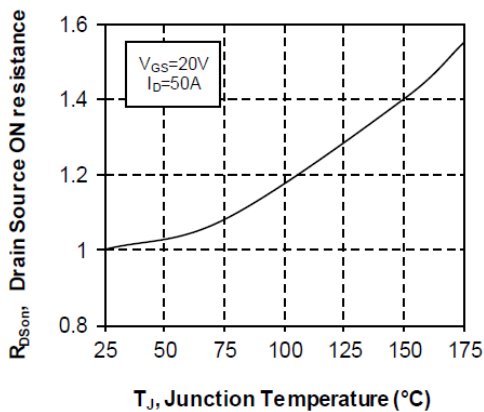
**Figure 4 • Output Characteristics, T<sub>J</sub> = 25 °C**



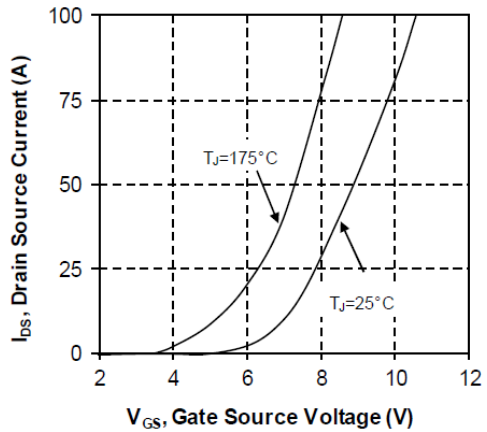
**Figure 5 • Output Characteristics, T<sub>J</sub> = 175 °C**



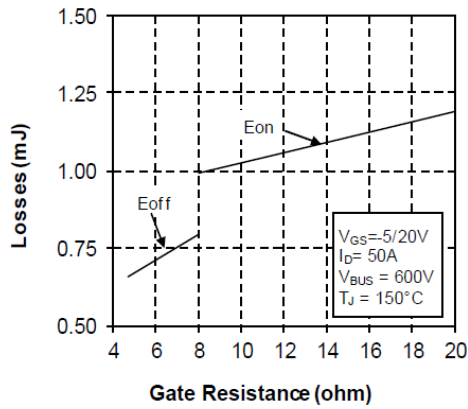
**Figure 6 • Normalized RDS(on) vs. Temperature**



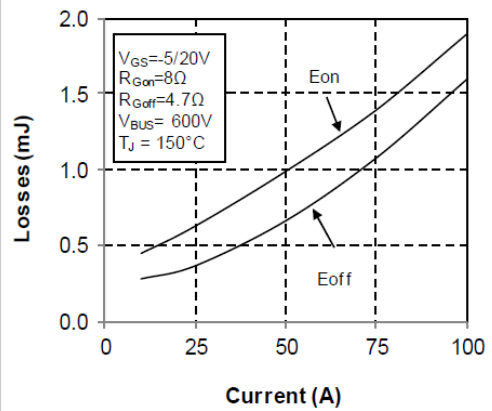
**Figure 7 • Transfer Characteristics**



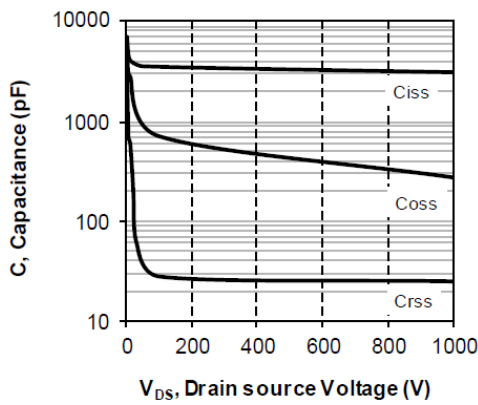
**Figure 8 • Switching Energy vs. Rg**



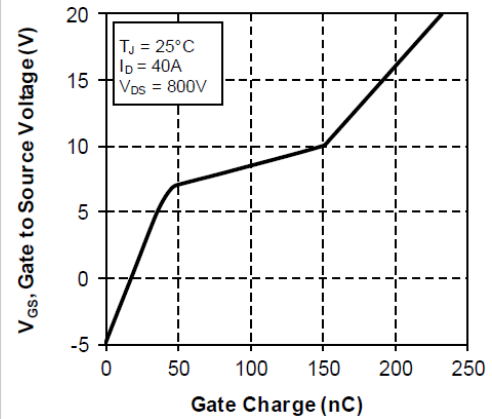
**Figure 9 • Switching Energy vs. Current**



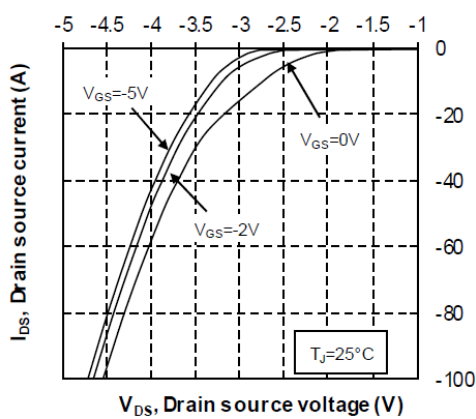
**Figure 10 • Capacitance vs. Drain Source Voltage**



**Figure 11 • Gate Charge vs. Gate Source Voltage**



**Figure 12 • Body Diode Characteristics, TJ = 25 °C**



**Figure 13 • 3<sup>rd</sup> Quadrant Characteristics, TJ = 25 °C**

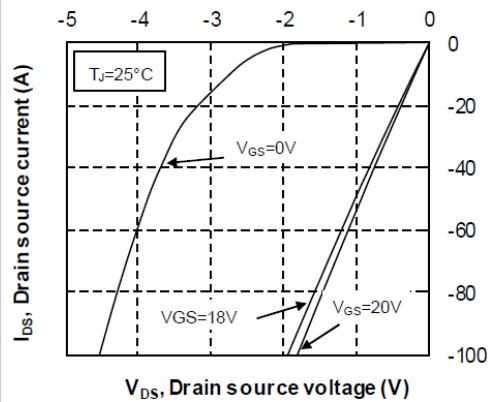


Figure 14 • Body Diode Characteristics,  $T_J = 175^\circ\text{C}$

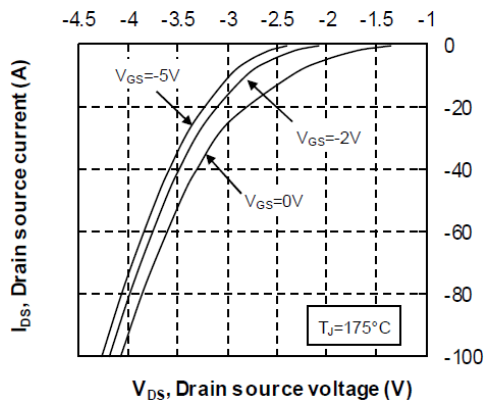


Figure 15 • 3<sup>rd</sup> Quadrant Characteristics,  $T_J = 175^\circ\text{C}$

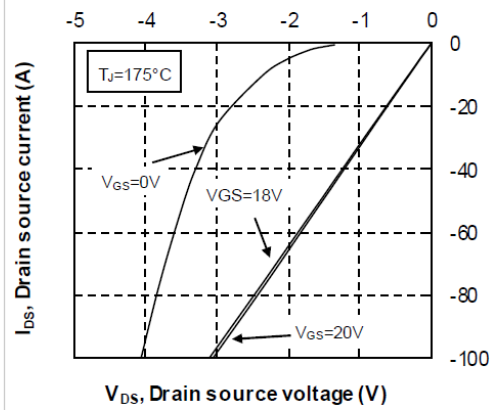
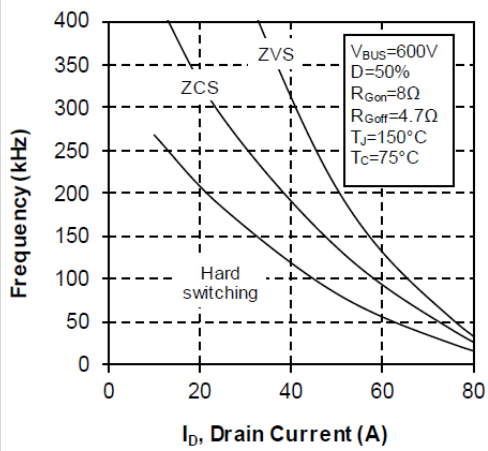


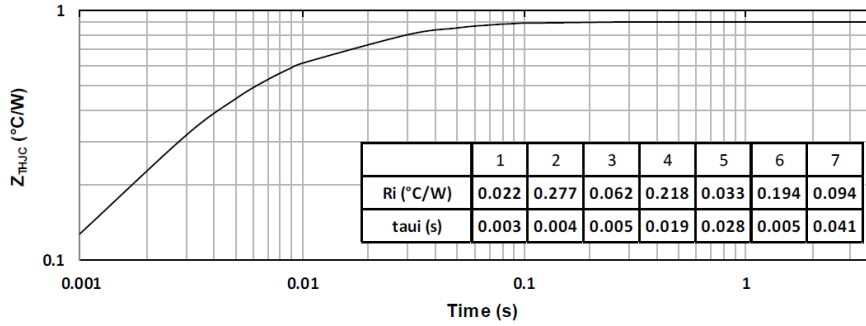
Figure 16 • Operating Frequency vs. Drain Current



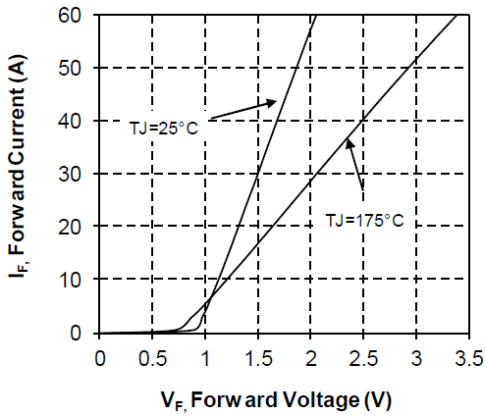
### 3.5 Typical SiC Diode Performance Curves

This section shows the typical performance curves of the MSCSM120AM31CT1AG SiC diode.

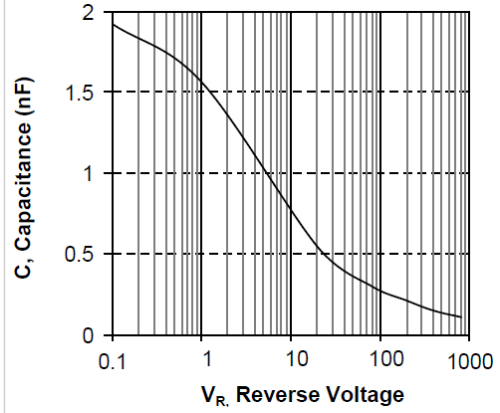
**Figure 17 • Maximum Thermal Impedance**



**Figure 18 • Forward Characteristics**



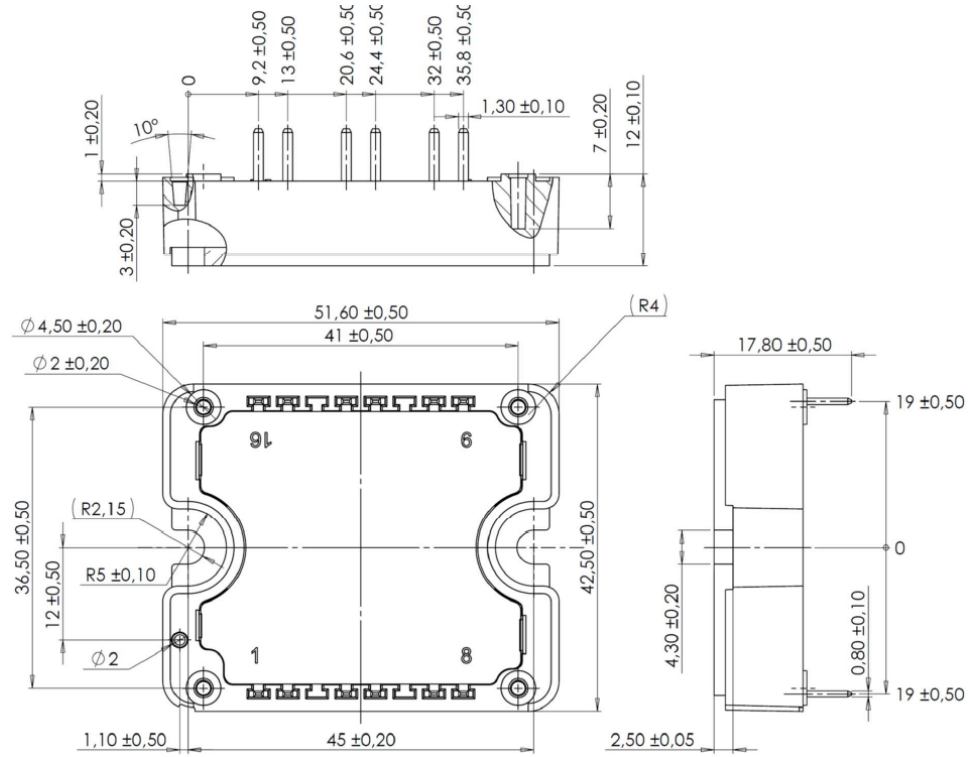
**Figure 19 • Capacitance vs. Reverse Voltage**



## 4 Package Specifications

This section shows the package outline of the MSCSM120AM31CT1AG device. All dimensions are in millimeters.

**Figure 20 • Package Outline**





**Microsemi**

2355 W. Chandler Blvd.  
 Chandler, AZ 85224 USA

Within the USA: +1 (480) 792-7200  
 Fax: +1 (480) 792-7277

www.microsemi.com © 2020 Microsemi and its corporate affiliates. All rights reserved. Microsemi and the Microsemi logo are trademarks of Microsemi Corporation and its corporate affiliates. All other trademarks and service marks are the property of their respective owners.

Microsemi's product warranty is set forth in Microsemi's Sales Order Terms and Conditions. Information contained in this publication is provided for the sole purpose of designing with and using Microsemi products. Information regarding device applications and the like is provided only for your convenience and may be superseded by updates. Buyer shall not rely on any data and performance specifications or parameters provided by Microsemi. It is your responsibility to ensure that your application meets with your specifications. THIS INFORMATION IS PROVIDED "AS IS." MICROSEMI MAKES NO REPRESENTATIONS OR WARRANTIES OF ANY KIND WHETHER EXPRESS OR IMPLIED, WRITTEN OR ORAL, STATUTORY OR OTHERWISE, RELATED TO THE INFORMATION, INCLUDING BUT NOT LIMITED TO ITS CONDITION, QUALITY, PERFORMANCE, NON-INFRINGEMENT, MERCHANTABILITY OR FITNESS FOR A PARTICULAR PURPOSE. IN NO EVENT WILL MICROSEMI BE LIABLE FOR ANY INDIRECT, SPECIAL, PUNITIVE, INCIDENTAL OR CONSEQUENTIAL LOSS, DAMAGE, COST OR EXPENSE WHATSOEVER RELATED TO THIS INFORMATION OR ITS USE, HOWEVER CAUSED, EVEN IF MICROSEMI HAS BEEN ADVISED OF THE POSSIBILITY OR THE DAMAGES ARE FORESEEABLE. TO THE FULLEST EXTENT ALLOWED BY LAW, MICROSEMI'S TOTAL LIABILITY ON ALL CLAIMS IN RELATED TO THIS INFORMATION OR ITS USE WILL NOT EXCEED THE AMOUNT OF FEES, IF ANY, YOU PAID DIRECTLY TO MICROSEMI FOR THIS INFORMATION. Use of Microsemi devices in life support, mission-critical equipment or applications, and/or safety applications is entirely at the buyer's risk, and the buyer agrees to defend and indemnify Microsemi from any and all damages, claims, suits, or expenses resulting from such use. No licenses are conveyed, implicitly or otherwise, under any Microsemi intellectual property rights unless otherwise stated.

Microsemi Corporation, a subsidiary of Microchip Technology Inc. (Nasdaq: MCHP), and its corporate affiliates are leading providers of smart, connected and secure embedded control solutions. Their easy-to-use development tools and comprehensive product portfolio enable customers to create optimal designs which reduce risk while lowering total system cost and time to market. These solutions serve more than 120,000 customers across the industrial, automotive, consumer, aerospace and defense, communications and computing markets. Headquartered in Chandler, Arizona, the company offers outstanding technical support along with dependable delivery and quality. Learn more at [www.microsemi.com](http://www.microsemi.com).

MSCC-0344-DS-01051-1.0-0120

# Mouser Electronics

Authorized Distributor

Click to View Pricing, Inventory, Delivery & Lifecycle Information:

[Microchip:](#)

[MSCSM120AM31CT1AG](#)