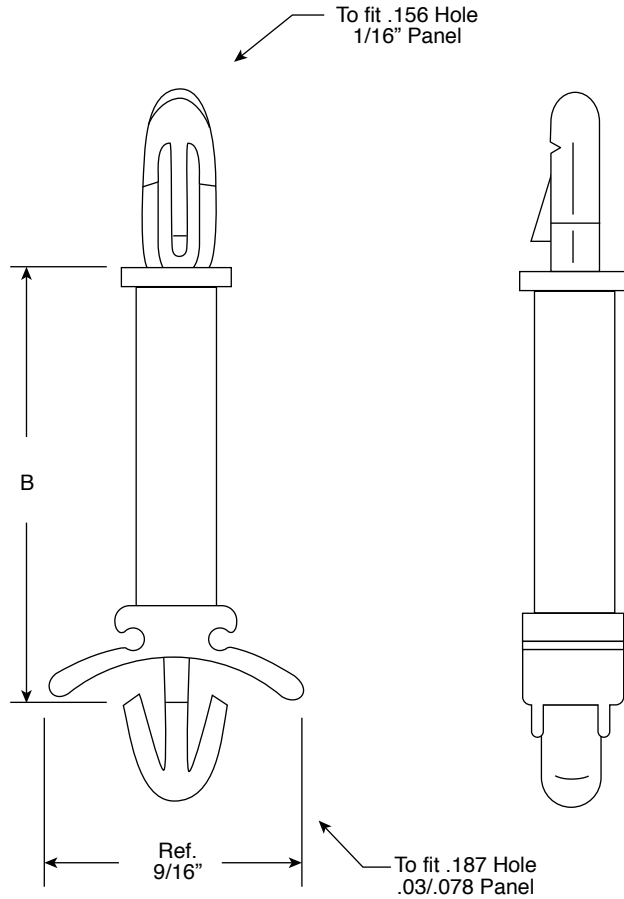


DIMENSIONS: in.



Circuit Board Supports eliminate screws, nuts, and lockwashers in mounting printed circuit boards on metal chassis or stacking in multiple tiers. Unique locking designs provide mechanically secure, reusable connection in predrilled or punched holes while saving considerable assembly time and expense. The LLP Series is designed to securely lock both the chassis end and the printed circuit board on top.

| Part Number | Description | B |
|----------------|-------------------------------|--------------|
| 561-LLP187 | 3/16 Lock/Lock CB Support M01 | .307 (±.005) |
| 561-LLP250 | 1/4 Lock/Lock CIR BRD SUP M01 | .365 (±.005) |
| 561-LLP375 | 3/8 Lock/Lock CB Support M01 | .495 (±.005) |
| 561-LLP500 | 1/2 Lock/Lock CB Support M01 | .625 (±.005) |
| 561-LLP625 | 5/8 Lock/Lock CB Support M01 | .745 (±.008) |
| 561-LLP750 | 3/4 Lock/Lock CB Support M01 | .87 (±.008) |
| 561-LLP1000 | 1 Lock/Lock CB Support M01 | 1.12 (±.01) |
| RoHS Compliant | | |

Mouser Electronics

Authorized Distributor

Click to View Pricing, Inventory, Delivery & Lifecycle Information:

[Eagle Plastic Devices:](#)

[561-LLP187](#) [561-LLP500](#) [561-LLP625](#) [561-LLP250](#) [561-LLP375](#) [561-LLP750](#) [561-LLP1000](#)