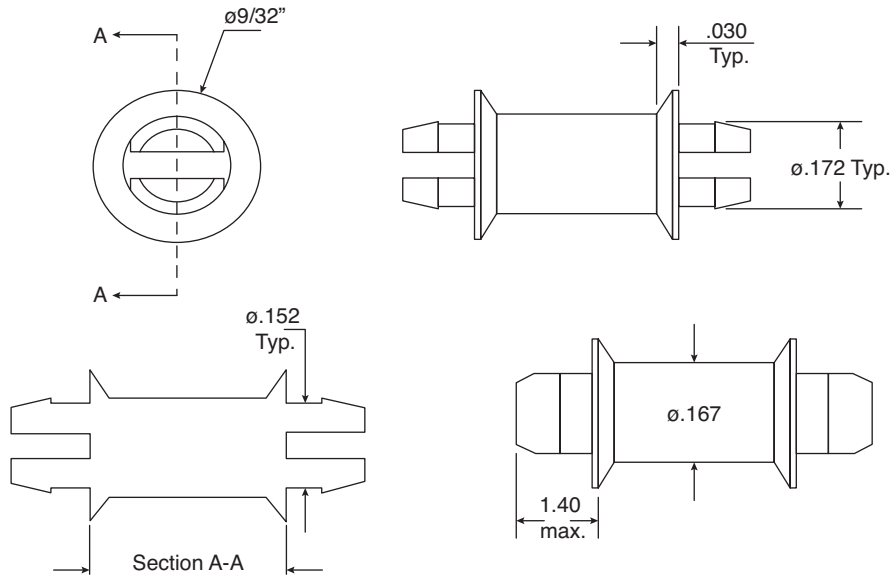


**DIMENSIONS: in**



## SPECIFICATIONS

Material:	Natural Nylon 6/6
Panel Thickness:	1/16"
RoHS Compliant	

Part Number	Description	Dim. A
561-DSP125	DSP 125	.125 ( $\pm 0.005$ )
561-DSP250	DSP 250	.250 ( $\pm 0.005$ )
561-DSP312	DSP 312	.312 ( $\pm 0.005$ )
561-DSP375	DSP 375	.375 ( $\pm 0.005$ )
561-DSP437	DSP 437	.437 ( $\pm 0.005$ )
561-DSP500	DSP 500	.500 ( $\pm 0.005$ )
561-DSP625	DSP 625	.625 ( $\pm 0.005$ )
561-DSP750	DSP 750	.750 ( $\pm 0.005$ )
561-DSP1000	DSP 1000	1.00 ( $\pm 0.005$ )

# Mouser Electronics

Authorized Distributor

Click to View Pricing, Inventory, Delivery & Lifecycle Information:

## Eagle Plastic Devices:

[561-DSP312](#) [561-DSP1000](#) [561-DSP437](#) [561-DSP250](#) [561-DSP125](#) [561-DSP500](#) [561-DSP375](#) [561-DSP625](#)  
[561-DSP750](#)