

Micrium

© Copyright 2008-2012, Micrium
All Rights reserved

μC/Modbus

V2.13.00

(μC/Modbus-S and μC/Modbus-M)

User's Manual

www.Micrium.com

Table of Contents

	Revision History	5
1.00	Introduction.....	6
1.01	Topologies.....	8
1.02	µC/Modbus Architecture	10
2.00	Directories and Files	13
2.01	Directories and Files, Target Independent Source Code	13
2.02	Directories and Files, RTOS Interface.....	14
2.03	Directories and Files, Product Specific Files	15
2.04	Directories and Files, CPU and Compiler Specific Files.....	15
3.00	Using µC/Modbus	17
3.01	Using µC/Modbus , MB_CfgCh()	20
3.02	Using µC/Modbus , MB_ChToPortMap()	22
3.03	Using µC/Modbus , MB_Exit()	23
3.04	Using µC/Modbus-M , MBM_FC01_CoilRd()	24
3.05	Using µC/Modbus-M , MBM_FC02_DIRd()	26
3.06	Using µC/Modbus-M , MBM_FC03_HoldingRegRd().....	28
3.07	Using µC/Modbus-M , MBM_FC03_HoldingRegRdFP()	30
3.08	Using µC/Modbus-M , MBM_FC04_InRegRd()	32
3.09	Using µC/Modbus-M , MBM_FC05_CoilWr()	34
3.10	Using µC/Modbus-M , MBM_FC06_HoldingRegWr().....	36
3.11	Using µC/Modbus-M , MBM_FC06_HoldingRegWrFP()	38
3.12	Using µC/Modbus-M , MBM_FC08_Diag().....	40
3.13	Using µC/Modbus-M , MBM_FC15_CoilWr()	42
3.14	Using µC/Modbus-M , MBM_FC16_HoldingRegWrN ()	44
3.15	Using µC/Modbus-M , MBM_FC16_HoldingRegWrNFP()	46
3.16	Using µC/Modbus , MB_Init()	48
3.17	Using µC/Modbus , MB_ModeSet()	49
3.18	Using µC/Modbus-S , MB_NodeAddrSet()	50
3.19	Using µC/Modbus-S , MB_WrEnSet()	51
4.00	Configuring µC/Modbus	52
4.01	Configuring µC/Modbus , MODBUS_CFG_SLAVE_EN.....	52
4.02	Configuring µC/Modbus , MODBUS_CFG_MASTER_EN.....	52
4.03	Configuring µC/Modbus , MODBUS_CFG_ASCII_EN	52

4.04	Configuring µC/Modbus , MODBUS_CFG_RTU_EN	53
4.05	Configuring µC/Modbus , MODBUS_CFG_MAX_CH.....	53
4.06	Configuring µC/Modbus , MODBUS_CFG_BUF_SIZE	53
4.07	Configuring µC/Modbus , MODBUS_CFG_FP_EN.....	53
4.08	Configuring µC/Modbus , MODBUS_CFG_FP_START_IX.....	53
4.09	Configuring µC/Modbus , MODBUS_CFG_FC01_EN.....	54
4.10	Configuring µC/Modbus , MODBUS_CFG_FC02_EN.....	54
4.11	Configuring µC/Modbus , MODBUS_CFG_FC03_EN.....	54
4.12	Configuring µC/Modbus , MODBUS_CFG_FC04_EN.....	54
4.13	Configuring µC/Modbus , MODBUS_CFG_FC05_EN.....	54
4.14	Configuring µC/Modbus , MODBUS_CFG_FC06_EN.....	54
4.15	Configuring µC/Modbus , MODBUS_CFG_FC08_EN.....	55
4.16	Configuring µC/Modbus , MODBUS_CFG_FC15_EN.....	55
4.17	Configuring µC/Modbus , MODBUS_CFG_FC16_EN.....	55
4.18	Configuring µC/Modbus-S , MODBUS_CFG_FC20_EN	55
4.19	Configuring µC/Modbus-S , MODBUS_CFG_FC21_EN	55
4.20	Configuring µC/Modbus , RAM Memory Requirements	56
5.00	µC/Modbus-S , Accessing application data.....	57
5.01	µC/Modbus-S , MB_CoilRd().....	58
5.02	µC/Modbus-S , MB_CoilWr().....	60
5.03	µC/Modbus-S , MB_DIRd()	62
5.04	µC/Modbus-S , MB_InRegRd()	64
5.05	µC/Modbus-S , MB_InRegRdFP().....	66
5.06	µC/Modbus-S , MB_HoldingRegRd()	68
5.07	µC/Modbus-S , MB_HoldingRegRdFP()	70
5.08	µC/Modbus-S , MB_HoldingRegWr().....	72
5.09	µC/Modbus-S , MB_HoldingRegWrFP()	74
5.10	µC/Modbus-S , MB_FileRd()	76
5.11	µC/Modbus-S , MB_FileWr().....	78
6.00	Board Support Package (BSP).....	80
6.01	BSP, MB_CommExit().....	80
6.02	BSP, MB_CommPortCfg().....	81
6.03	BSP, MB_CommRxTxISR_x_Handler()	82
6.04	BSP, MB_CommRxIntEn()	83
6.05	BSP, MB_CommRxIntDis()	83
6.06	BSP, MB_CommTx1().....	83
6.07	BSP, MB_CommTxIntEn().....	84
6.08	BSP, MB_CommTxIntDis().....	84

μC/Modbus

6.09	BSP, MB_RTU_TmrInit()	85
6.10	BSP, MB_RTU_TmrExit()	85
6.11	BSP, MB_RTU_TmrISR_Handler()	85
7.00	RTOS Interface	86
7.01	RTOS Interface, MB_OS_Init()	89
7.02	RTOS Interface, MB_OS_Exit()	90
7.03	RTOS Interface, MB_OS_RxSignal()	91
7.04	RTOS Interface, MB_OS_RxWait()	92
7.05	RTOS Interface, Configuration	93
8.00	No-OS Interface	94
9.00	μC/Modbus Program Flow	97
9.01	μC/Modbus-S , ASCII Rx and Tx	98
9.02	μC/Modbus-S , RTU Rx and Tx	100
9.03	μC/Modbus-M , ASCII Rx and Tx	102
9.04	μC/Modbus-M , RTU Rx and Tx	104
10.00	Acronyms, Abbreviations and Mnemonics	106
Licensing		108
References		108
Contacts		108

Revision History

Version	Date	Description
V1.00	2004/09/08	Initial Release
V1.61	2005/07/29	Converted code to use µC/CPU files. Removed dependencies on 'stdlib' functions. Improved the architecture.
V2.00	2006/05/15	Simplified the code. Made error return codes 16 bits instead of 8. Added support for Modbus Master.
V2.10	2006/08/10	Corrected bug with Modbus ASCII LRC calculation. LRC was being computed on 'binary' data instead of the raw ASCII message. Our test tool was incorrectly calculating LRCs on the binary data and we followed the same scheme. Removed all calls to <code>MB_TxErrChkCalc()</code> since the LRC and CRC calculations for Tx are done just before transmitting the response.
V2.11	2008/11/14	Added single thread support for Modbus Slave.
V2.12	2009/02/02	Now checking for 'broadcast' messages in Modbus Slave. We simply execute the command but we don't reply. We also added a check so we don't read more registers than can fit in a frame.
V2.13.00	2012/05/17	Corrected bugs, changed version numbering system, improved MISRA-C:2004 rules support, corrected style issues.

μC/Modbus

1.00 Introduction

This document describes **μC/Modbus**, which implements the Modicon Modbus Protocol (referred to as Modbus) along with the “Daniel’s Extension” to the Modbus protocol, as specified by Daniel Flow Products.

For more details on the Modbus protocol, please refer to Modicon’s:

Modicon Modbus Protocol Reference Guide
PI-MBUS-300 Rev. J

The Modbus protocol consists of the reception and transmission of data, in predefined packets, hereby referred to as “frames”. There are two types of frames that the Modbus protocol operates with, an ASCII frame, and a Remote Terminal Unit (RTU) frame. The ASCII frame is a frame based on ASCII hexadecimal characters, while the RTU frame is strictly a binary implementation. ASCII mode is easier to implement and debug but offers roughly half the data transfer speed of RTU mode. With **μC/Modbus** you can use either mode since implementation and testing has been done by Micrium.

μC/Modbus can support any number of communication *channels*. The mode of operation on each channel can either be ASCII or RTU and is selectable on a per ‘channel’ basis.

Figure 1-1 shows the relationship between a product designed using **μC/Modbus** and other Modbus *masters* and *slaves* products. The ‘Serial Channels’ are typically RS-232C or RS-485 asynchronous serial interfaces typically using a UART (Universal Asynchronous Receiver Transmitter).

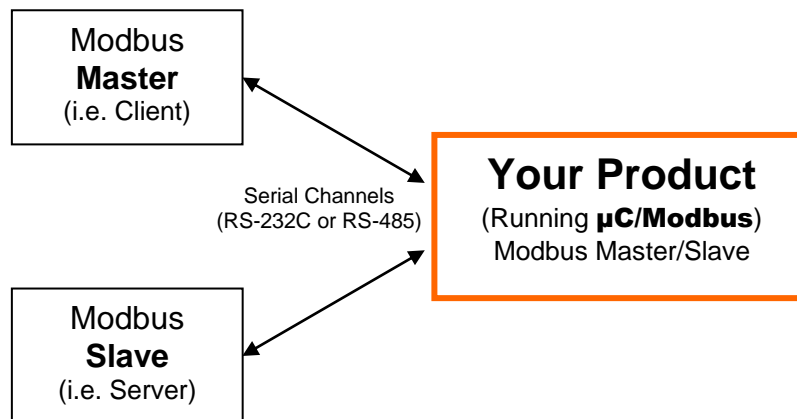


Figure 1-1, Relationship between Modbus-based products.

μC/Modbus

Masters (also known as Clients) initiate all data transfers to one or more *Slaves* (also known as Servers) in a system. In other words, only a Master (Client) can read or write values from/to a *Slave* (Server).

μC/Modbus can be made to look like having multiple master or slave ports. In fact, **μC/Modbus** allows you to have a combination of up to 250 master or slave ports from a single target system!

μC/Modbus-S indicates that your product contains the Modbus slave implementation of **μC/Modbus** and, **μC/Modbus-M** indicates that your product contains the Modbus master implementation of **μC/Modbus**.

You should note that a product can contain both **μC/Modbus-S** and **μC/Modbus-M** at the same time. However, the master and the slave would be on separate ports.

µC/Modbus

1.01 Topologies

Figure 1-2 shows the relationship between multiple products (slaves) and a Modbus master (assuming RS-485).

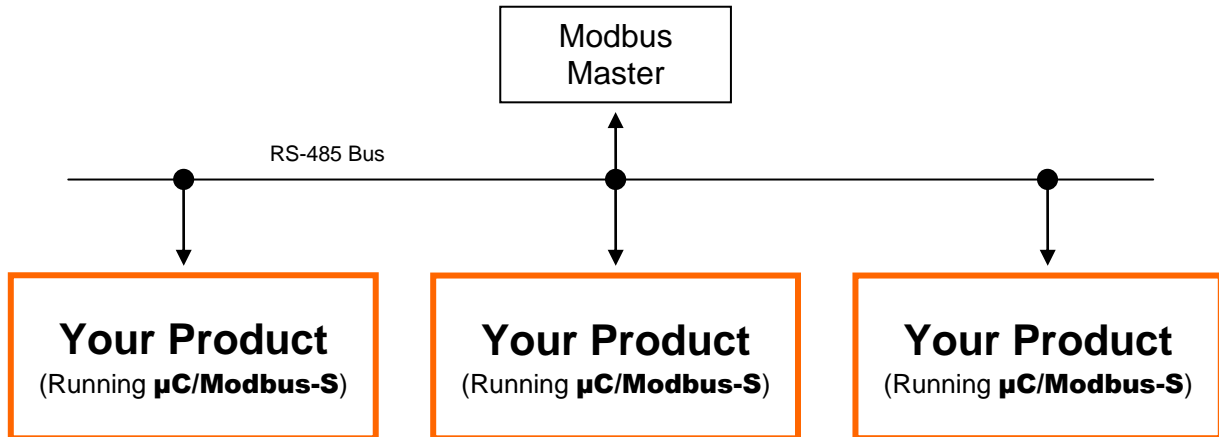


Figure 1-2, Relationship between Modbus Master and Slaves on RS-485 Network.

Figure 1-3 shows the relationship between multiple products (slaves) and multiple Modbus masters (assuming RS-485 in the example) with one of those products being µC/Modbus-M. You will note that only one master can be present on each RS-485 network.

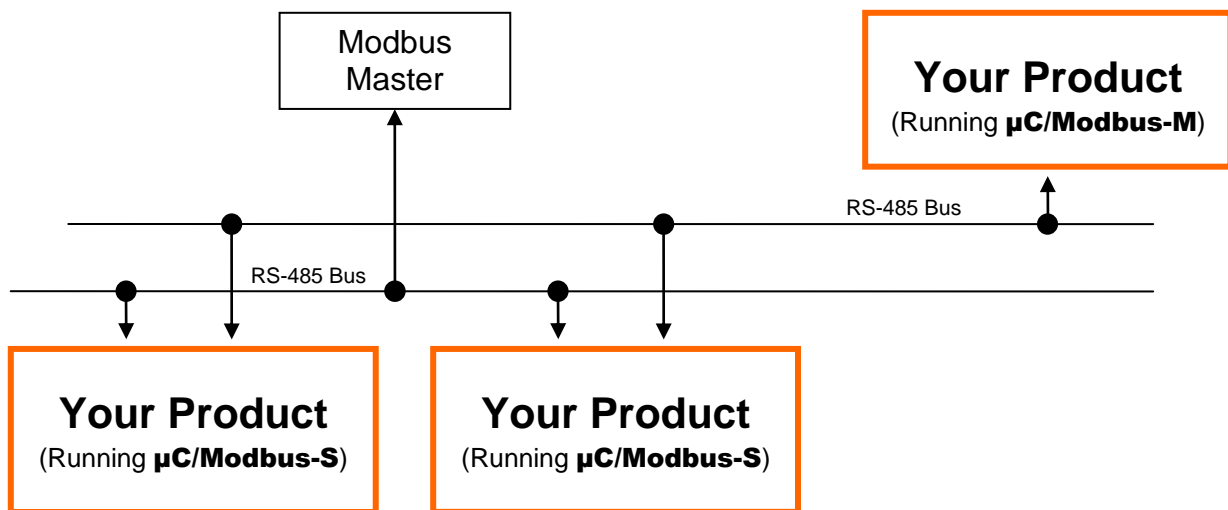


Figure 1-3, Multiple Modbus Masters and Slaves on RS-485 Networks.

Figure 1-4 shows the relationship between multiple products (slaves) and multiple Modbus masters (assuming RS-232C in the example). As you can see, with RS-232C, each master needs to have a direct connection to each slave. **μC/Modbus** supports this topology since each product can have multiple communication channels. Although RS-232C requires more point-to-point connections, it offers the benefit of higher throughput since communications can occur concurrently instead of sequentially.

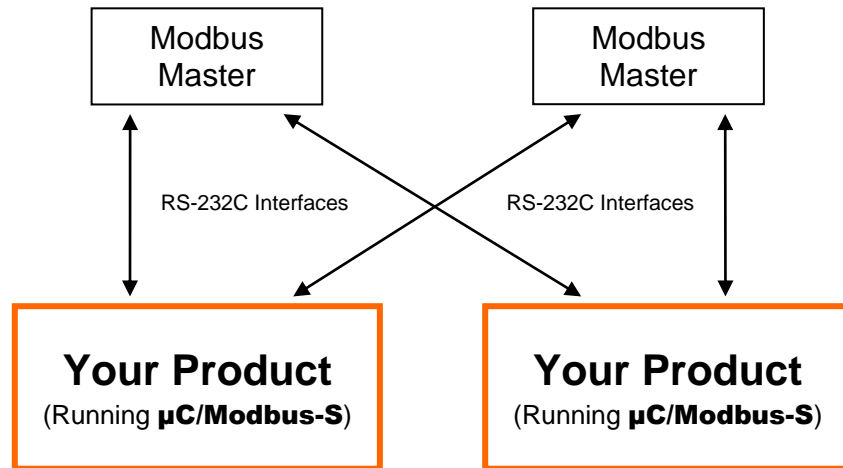


Figure 1-4, Multiple Modbus Masters and Slaves with RS-232C.

Modbus allows you to read or write integer, floating-point (assuming the Daniels Extensions) and discrete values from/to your target system. **μC/Modbus** can read or write from/to:

- up to 65536 16-bit integer values,
- up to 65536 32-bit floating-point values,
- up to 65536 coils, and
- up to 65536 discrete inputs.

Integer and floating-point requests may not be mixed in the same command. Multiple integer values (up to 125) and multiple floating-point values (up to 62) may be written via a single command.

Depending on the processor you are using, you should be able to run **μC/Modbus** with data rates from 9600 up to 256,000 baud. The baud rate you can attain is actually limited to the performance of the CPU and not **μC/Modbus**.

1.02 μC/Modbus Architecture

Figure 1-5 shows how the **μC/Modbus** communications stack fits in your product and also shows which source files are associated with each layer.

MB stands for **ModBus**, MBS stands for **ModBus Slave** and MBM stands for **ModBus Master**. A file that starts with `mb_` indicates that the code in the file is independent of Modbus Slave or Master. A file that starts with `mbS_` contains Modbus Slave specific code and, of course, a file that will start with `mbm_` will contain MODBUS Master specific code.

- F1-5(1) Your product needs to configure **μC/Modbus** (at compile time) to establish the maximum number of channels your product will support, whether some channels will support Modbus ASCII and/or RTU, whether the 'Daniels Extensions' will be supported to provide floating-point, which Modbus *function codes* will be supported, whether a product will be a Master, a Slave or both, etc. Configuration is done by changing a C header file (`mb_cfg.h`). This is code that **YOU** need to provide and `mb_cfg.h` typically resides in your product's directory since it can be different for each product.
- F1-5(2) A Modbus master, connected to your product (that is running **μC/Modbus-S**) can read or change just about ANY data in your application. Access to your data (read or write) is done via a C file that you provide (`mb_data.c`). `mb_data.c` can read integers, coils, discrete inputs, floating-point values, etc. `mb_data.c` also allows you to execute ANY code when data is read or written. For example, if you change the diameter of a circle and need to compute the surface, you can simply include the code to compute the surface in `mb_data.c`. More on this later. This is code that **YOU** need to provide and `mb_data.c` typically resides in your product's directory since it can be different for each product.
- F1-5(3) This is the application independent slave code and it knows how to process Modbus ASCII and/or Modbus RTU packets. You should NOT have to modify this code.
- F1-5(4) The interface to the UARTs in your product is placed in the Board Support Package (BSP) file called `mb_bsp.C`. This is a file that you provide in order to interface to **μC/Modbus**. Note that each channel can either communicate via RS-232C or RS-485 (at the interface level). This is code

that **YOU** need to provide and `mb_bsp.c` is either placed in your product's directory or provided by Micrium in the

`\Micrium\Software\uC-Modbus\Ports\`

directory. This is the adaptation layer for the CPU or board you are using.

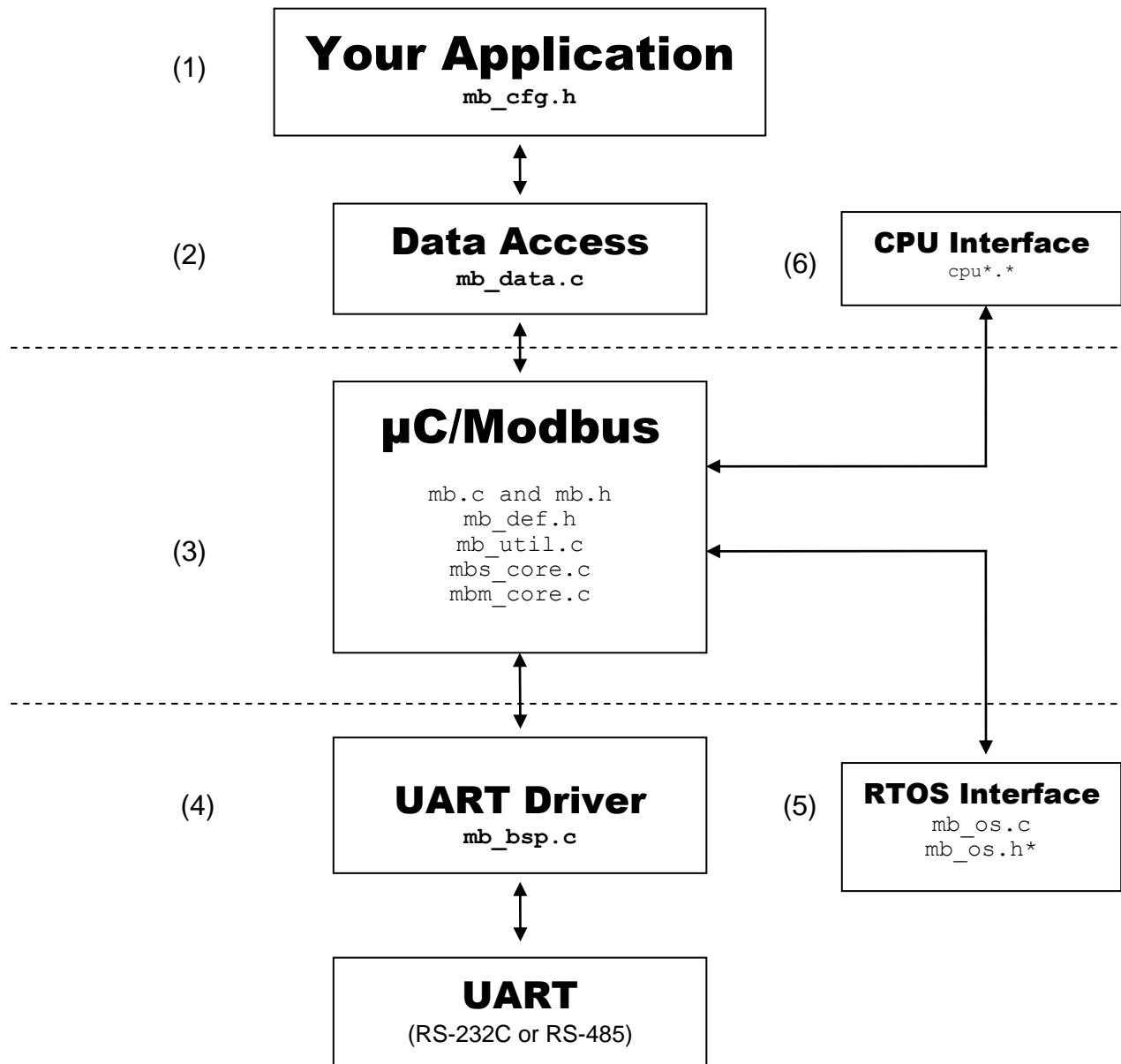


Figure 1-5, Relationship between modules.

µC/Modbus

F1-5(5) **µC/Modbus-S** can be used with or without a RTOS (Real Time Operating System) environment. **µC/Modbus-M** assumes the presence of an RTOS. However, you can use just about any RTOS and the RTOS specifics are actually isolated in a file called `mb_os.c`. The code for **µC/OS-II**, **µC/OS-III** and Non-OS environment are provided so you don't have to change this code if you use **µC/OS-II** or **µC/OS-III** in your product or you use **µC/Modbus-S** without any RTOS. The file `mb_os.h` is only needed when **µC/Modbus-S** is used without any RTOS this is explained in Section 8.

F1-5(6) **µC/Modbus** is independent of the CPU and the compiler you use. However, you need to provide information about the data types specific to your CPU and compiler. For example, you need to define the following data types:

```
CPU_BOOLEAN Boolean (True or False, Yes or No, etc.)
CPU_INT08U   8 bit unsigned integer
CPU_INT16U   32 bit unsigned integer
CPU_INT32U   8 bit unsigned integer
CPU_FP32     32 bit IEEE754 floating-point
Etc.
```

These data types are needed because **µC/Modbus** never uses the standard C data types (i.e. `char`, `short`, `int`, `long`, etc.) because they are non-portable.

These data types need to be placed in a file called `cpu.h` (more on this later).

2.00 Directories and Files

The code for **µC/Modbus** is found in the following directories.

2.01 Directories and Files, Target Independent Source Code

`\Micrium\Software\uC-Modbus\Source`

This directory contains the UART, OS and CPU independent source files. This directory contains the following files:

<code>mb.c</code>	Master/Slave independent code
<code>mb.h</code>	
<code>mb_def.h</code>	Modbus Definitions
<code>mb_util.c</code>	ASCII conversions utilities
<code>mbs_core.c</code>	Slave specific code
<code>mbm_core.c</code>	Master specific code

μC/Modbus

2.02 Directories and Files, RTOS Interface

```
\Micrium\Software\uC-Modbus\OS\uCOS-II  
\Micrium\Software\uC-Modbus\OS\uCOS-III
```

These directories contains the code to interface to the **μC/OS-II** and **μC/OS-III** RTOSs and contains the following file:

`mb_os.c` (See Section 7.00)

If you interface **μC/Modbus** to different RTOSs, you would place an `mb_os.c` file in a separate directory. In other words, all RTOS interface files should be called `mb_os.c` but the specifics of the actual RTOS you use would be placed in a different directory. When you build your product, you obviously need to select only one RTOS interface – the one specific to your RTOS.

```
\Micrium\Software\uC-Modbus\OS\None
```

This directory contains the code to use **μC/Modbus-S** in a single threaded environment without the need of an RTOS.

`mb_os.c` (See Section 8.00)
`mb_os.h` (See Section 8.00)

2.03 Directories and Files, Product Specific Files

???\Product

This directory contains your application code. You need to provide the following files:

mb_cfg.h	(See Section 4.00)
mb_data.c	(See Section 5.00)
mb_bsp.c	(See Section 6.00)

2.04 Directories and Files, CPU and Compiler Specific Files

\Micrium\Software\uC-CPU\

This directory contains information about your CPU and the compiler you are using. There are three files that you need to specify:

cpu.h
cpu_a.asm

It's preferable to 'modify' existing files than create new ones from scratch so that you don't forget anything. An example of these files is provided with **µC/Modbus**.

cpu.h

This file defines CPU/compiler specific data types. The code below shows an example of the data types needed by **µC/Modbus** for an ARM CPU and the IAR Embedded Workbench compiler.

```
typedef          void      CPU_VOID;
typedef unsigned char     CPU_CHAR;
typedef unsigned char     CPU_BOOLEAN;
typedef unsigned char     CPU_INT08U;
typedef signed  char      CPU_INT08S;
typedef unsigned short    CPU_INT16U;
typedef signed  short     CPU_INT16S;
typedef unsigned int      CPU_INT32U;
typedef signed  int       CPU_INT32S;
typedef          float     CPU_FP32;
typedef          double    CPU_FP64;
typedef          void      (*CPU_FNCT_PTR)(void *);
```

µC/Modbus

You also need to specify the type of 'alignment' to use as well as the 'endianness' of the processor:

```
#define CPU_CFG_ALIGN_TYPE      CPU_ALIGN_TYPE_32
#define CPU_CFG_ENDIAN_TYPE    CPU_ENDIAN_TYPE_LITTLE
```

You also need to define code to disable and enable interrupts. In fact, the code to disable interrupts should 'save' the state of the interrupt enable setting and then disable interrupts. This is done by an assembly language function called `CPU_SR_Save()`. The code to re-enable interrupts should simply restore the state saved by `CPU_SR_Save()`. This would be done by a function called `CPU_SR_Restore()`. The state of the interrupt enable setting is stored in a local variable of type `CPU_SR` as shown below.

```
typedef CPU_INT32U CPU_SR;

#define CPU_CRITICAL_ENTER()    {cpu_sr = CPU_SR_Save();}
#define CPU_CRITICAL_EXIT()    {CPU_SR_Restore(cpu_sr);}
```

You should note that **µC/Modbus** actually uses `CPU_CRITICAL_ENTER()` and `CPU_CRITICAL_EXIT()` to disable and re-enable interrupts, respectively.

cpu_a.asm

This file contains the code for `CPU_SR_Save()` and `CPU_SR_Restore()`. This code is typically written in assembly language since it generally accesses CPU registers which are not typically accessible from C. However, if your compiler allows you to manipulate CPU registers in C, you would implement `CPU_SR_Save()` and `CPU_SR_Restore()` directly in C and call this file `cpu.c` instead of `cpu_a.asm`.

3.00 Using μC/Modbus

In order to use **μC/Modbus** in your product, you need to make sure you have the following elements:

Setup the **μC/CPU** for the CPU **YOU** are using:

You need to create a `cpu.h` and `cpu_a.asm` files (see section 2.04).

Setup the BSP for the UARTs and the RTU timer **YOU** are using:

You need to create a `mb_bsp.c` file (see section 5). You should note that **μC/Modbus** includes a `mb_bsp.c` for different processors and boards. You can use these files as examples on how to write the BSP.

Setup the RTOS Interface for the RTOS **YOU** are using:

μC/Modbus includes RTOS interfaces for **μC/OS-II** and **μC/OS-III** (see section 6). If you are using a different RTOS, you will need to provide an `mb_os.c` file. You can actually model your RTOS interface from the one provided for **μC/OS-II** and **μC/OS-III**.

For **μC/OS-II** and **μC/OS-III**, don't forget to configure `#defines` to setup the task priority and stack size (should be placed in your application's `app_cfg.h` file).

If your product doesn't require the use of a RTOS you can use the No-OS port. This port is only for **μC/Modbus-S**. **μC/Modbus-M** always requires a RTOS interface.

Initialize **μC/Modbus** and configure your channels.

μC/Modbus is initialized by simply calling `MB_Init()` and specifying the Modbus RTU frequency as an argument. Once initialized, you simply need to configure each Modbus channels (using `MB_CfgCh()`) as shown in the example below. Here, our product has three Modbus ports: a Modbus RTU port communicating at 9600 baud and a Modbus ASCII port communicating at 19200 baud and a Modbus ASCII Master port communicating at 19200 baud. Both Modbus Slave ports assume Modbus address 1 but, you can specify different node address for each one if you want.

µC/Modbus

```
MB_Init(1000);           // Initialize uC/Modbus, RTU timer at 1000 Hz

MB_CfgCh( 1,             // ... Modbus Node # for this slave channel
MODBUS_SLAVE,          // ... This is a SLAVE
0,                     // ... 0 when a slave
MODBUS_MODE_RTU,       // ... Modbus Mode (_ASCII or _RTU)
1,                     // ... Specify UART #1
9600,                  // ... Baud Rate
8,                     // ... Number of data bits 7 or 8
MODBUS_PARITY_NONE,    // ... Parity: _NONE, _ODD or _EVEN
1,                     // ... Number of stop bits 1 or 2
MODBUS_WR_EN);         // ... Enable (_EN) or disable (_DIS) writes

MB_CfgCh( 1,             // ... Modbus Node # for this slave channel
MODBUS_SLAVE,          // ... This is a SLAVE
0,                     // ... 0 when a slave
MODBUS_MODE_ASCII,     // ... Modbus Mode (_ASCII or _RTU)
1,                     // ... Specify UART #2
19200,                 // ... Baud Rate
8,                     // ... Number of data bits 7 or 8
MODBUS_PARITY_NONE,    // ... Parity: _NONE, _ODD or _EVEN
1,                     // ... Number of stop bits 1 or 2
MODBUS_WR_EN);         // ... Enable (_EN) or disable (_DIS) writes
```

IMPORTANT

If your application is using a RTOS interface, once a **µC/Modbus-S** channel has been configured, you do not need to do anything else in your code. In other words, a Modbus master can start communicating with your Modbus slave without having to add any additional code in your application tasks! Refer to section 7 for details on how this works.

If your application is not using a RTOS interface, once a **µC/Modbus-S** channel has been configured, your application needs to call `MB_OS_RxTask()` to poll the Modbus Slave channels. Refer to section 8 for details on how this works.

```
MB_CfgCh( 1,             // ... Modbus Node # for this slave channel
MODBUS_MASTER,         // ... This is a MASTER
OS_TICKS_PER_SEC,      // ... One second timeout waiting for slave response
MODBUS_MODE_ASCII,     // ... Modbus Mode (_ASCII or _RTU)
2,                     // ... Specify UART #3
19200,                 // ... Baud Rate
8,                     // ... Number of data bits 7 or 8
MODBUS_PARITY_NONE,    // ... Parity: _NONE, _ODD or _EVEN
1,                     // ... Number of stop bits 1 or 2
MODBUS_WR_EN);         // ... Enable (_EN) or disable (_DIS) writes
```

IMPORTANT

Once a **µC/Modbus-M** channel has been configured, your application code needs to call `MBM_FC??_???` functions as described in this section in order to obtain data from Modbus slaves connected to that channel. Refer to section 8 for details on how this works.

Your application interfaces to **μC/Modbus** via a number of functions that allow you to change the behavior of channels. For each interface functions **μC/Modbus** applies to both Master or Slave channels, **μC/Modbus-S** applies only to Slave channels and **μC/Modbus-M** applies only to Master channels.

µC/Modbus

3.01 Using µC/Modbus, MB_CfgCh()

This function is used to configure each Modbus channel in your product. `MB_CfgCh()` **MUST** be called **AFTER** calling `MB_Init()`. The function prototype is:

Prototype

```
MODBUS_CH *MB_CfgCh (CPU_INT08U node_addr,  
                    CPU_INT08U master_slave,  
                    CPU_INT32U rx_timeout,  
                    CPU_INT08U modbus_mode,  
                    CPU_INT08U port_nbr,  
                    CPU_INT32U baud,  
                    CPU_INT08U bits,  
                    CPU_INT08U parity,  
                    CPU_INT08U stops,  
                    CPU_INT08U wr_en);
```

Arguments

<code>node_addr</code>	is the node address of the channel as seen by the Modbus master connected to your product. Each channel can be 'seen' as having the same node address or have different node addresses for each channel.
<code>master_slave</code>	specifies whether this channel is a Modbus <i>Master</i> or a Modbus <i>Slave</i> . Values for this argument can either be <code>MODBUS_MASTER</code> or <code>MODBUS_SLAVE</code> .
<code>rx_timeout</code>	specifies the amount of time that a Modbus master will wait for a response from a slave. The time is specified in RTOS ticks (consult your RTOS documentation to determine the tick rate).
<code>modbus_mode</code>	specifies the operating mode (ASCII or RTU) and thus, this argument can either be: <code>MODBUS_MODE_ASCII</code> or <code>MODBUS_MODE_RTU</code> .
<code>port_nbr</code>	specifies which physical connection (i.e. port) is associated with the Modbus channel. In other words, it determines which UART will be associated with the Modbus channel. <code>port_nbr</code> are typically assigned from 0 to the maximum number of physical UARTs you have in your product minus one. For example, if your product has 4 UARTs and all of them can be assigned to a Modbus channel then the UARTs would be numbered from 0 to 3. However, you don't have to number them from 0, the numbering scheme really depends on who writes the <code>MB_BSP.C</code> file.
<code>baud</code>	is the baud rate of the Modbus channel. You would typically specify a 'standard' baud rate such as 9600, 19200, 38400, etc.
<code>bits</code>	specifies the number of data bits used by the UART. For RTU, you'd typically specify 8. For ASCII, you can either specify 7 or 8. If you specify 7 bits, you will probably also need to specify the parity (see next argument).

<code>parity</code>	specifies the type of parity checking used when you use Modbus ASCII mode (if you want to use parity checking). Allowable values for this argument are: MODBUS_PARITY_NONE, MODBUS_PARITY_ODD and MODBUS_PARITY_EVEN.
<code>stops</code>	specifies the number of stop bits used by the UART. You can either specify 1 or 2. The typical value is 1 but check with the Modbus master node to see if you need to specify 2.
<code>wr_en</code>	this argument specifies whether a Modbus master is allowed to send 'write' commands to this Modbus channel. This argument can either be MODBUS_WR_EN or MODBUS_WR_DIS. In other words, if you don't want a Modbus master to change values in your product, simply specify MODBUS_WR_DIS. Note that your application code can actually change this setting at run-time by calling <code>MB_WrEnSet ()</code> (see section 3.06).

Returned Value

The function returns a pointer to the created channel which you can use when calling other functions.

Notes / Warnings

None

Called By

Your Modbus master or slave application.

Example

µC/Modbus

3.02 Using µC/Modbus, MB_ChToPortMap()

This function allows you to change the ‘logical’ mapping to ‘physical’ mapping for each channel. In other words, this function allows you to change the port assignment associated with each **µC/Modbus** channels.

Prototype

```
void MB_ChToPortMap (MODBUS_CH *pch,  
                    CPU_INT08U port_nbr)
```

Arguments

`pch` is a pointer to the channel (returned by `MB_CfgCh()`) to map.

`port_nbr` specifies which physical connection (i.e. port) is associated with the Modbus channel. In other words, it determines which UART will be associated with the Modbus channel. `port_nbr` are typically assigned from 0 to the maximum number of physical UARTs you have in your product minus one. For example, if your product has 4 UARTs and all of them can be assigned to a Modbus channel then the UARTs would be numbered from 0 to 3. However, you don't have to number them from 0, the numbering scheme really depends on who writes the `MB_BSP.C` file.

Returned Value

None

Notes / Warnings

None

Called By

Your Modbus master or slave application.

Example

3.03 Using μC/Modbus, MB_Exit()

`MB_Exit()` should be called if you no longer want to run **μC/Modbus** in your product.

Prototype

```
void MB_Exit (void);
```

Arguments

None

Returned Value

None

Notes / Warnings

None

Called By

Your Modbus master or slave application.

Example

3.04 Using µC/Modbus-M, MBM_FC01_CoilRd()

This function is called from YOUR application code to read coils from a Modbus slave.

Prototype

```
CPU_INT16U MBM_FC01_CoilRd (MODBUS_CH *pch,  
                             CPU_INT08U slave_addr,  
                             CPU_INT16U start_addr,  
                             CPU_INT08U *p_coil_tbl,  
                             CPU_INT16U nbr_coils);
```

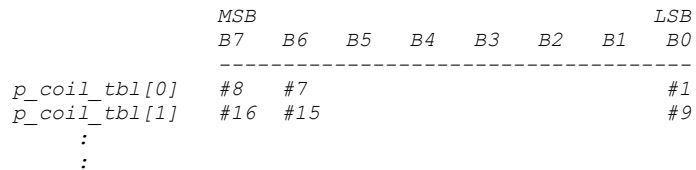
Arguments

`pch` is a pointer to the channel (returned by `MB_CfgCh()`). This pointer specifies onto which channel the Modbus master will be communicating on. Of course, 'pch' must have been configured as a Master when you configured the channel.

`slave_addr` specifies the slave 'node address' that you desire to read the coil information from. This can be a number between 1 and 255 but needs to match the number assigned to the slave node.

`start_addr` specifies the start address of the coil number. This can be from 0 to 65535.

`pcoil_tbl` is a pointer to an array of 8 bit values that will receive the value of all the coils you are reading. The size of the array needs to be at least $(nbr_coils - 1) / 8 + 1$. The format of the table is as follows:



`nbr_coils` specifies the number of coils you want to read from the slave.

Returned Value

MODBUS_ERR_NONE

if the call was successful.

MODBUS_ERR_RX

if a response was not received from the slave within the timeout specified for this channel (see `MB_CfgCh()`).

MODBUS_ERR_SLAVE_ADDR

If the transmitted slave address doesn't correspond to the received slave address

MODBUS_ERR_FC

If the transmitted function code doesn't correspond to the received function code

MODBUS_ERR_BYTE_COUNT

If the expected number of bytes to receive doesn't correspond to the number of bytes received.

Notes / Warnings

None

Called By

Your Modbus master application.

Example

3.05 Using µC/Modbus-M, MBM_FC02_DIRd()

This function is called from YOUR application code to read discrete inputs from a Modbus slave.

Prototype

```
CPU_INT16U  MBM_FC02_DIRd (MODBUS_CH  *pch,  
                           CPU_INT08U  slave_addr,  
                           CPU_INT16U  start_addr,  
                           CPU_INT08U  *p_di_tbl,  
                           CPU_INT16U  nbr_di);
```

Arguments

`pch` is a pointer to the channel (returned by `MB_CfgCh()`). This pointer specifies onto which channel the Modbus master will be communicating on. Of course, 'pch' must have been configured as a Master when you configured the channel.

`slave_addr` specifies the slave 'node address' that you desire to read the coil information from. This can be a number between 1 and 255 but needs to match the number assigned to the slave node.

`start_addr` specifies the start address of the discrete input number. This can be from 0 to 65535.

`p_di_tbl` is a pointer to an array of 8 bit values that will receive the value of all the discrete inputs you are reading. The size of the array needs to be at least $(nbr_di - 1) / 8 + 1$. The format of the table is:

	<i>MSB</i>							<i>LSB</i>
	<i>B7</i>	<i>B6</i>	<i>B5</i>	<i>B4</i>	<i>B3</i>	<i>B2</i>	<i>B1</i>	<i>B0</i>
<code>p_di_tbl[0]</code>	#8	#7						#1
<code>p_di_tbl[1]</code>	#16	#15						#9
	:							
	:							

`nbr_di` specifies the number of discrete inputs you want to read from the slave.

Returned Value

MODBUS_ERR_NONE

if the call was successful.

MODBUS_ERR_RX

if a response was not received from the slave within the timeout specified for this channel (see `MB_CfgCh()`).

MODBUS_ERR_SLAVE_ADDR

If the transmitted slave address doesn't correspond to the received slave address

MODBUS_ERR_FC

If the transmitted function code doesn't correspond to the received function code

MODBUS_ERR_BYTE_COUNT

If the expected number of bytes to receive doesn't correspond to the number of bytes received.

Notes / Warnings

None

Called By

Your Modbus master application.

Example

3.06 Using µC/Modbus-M, MBM_FC03_HoldingRegRd()

This function is called from YOUR application code to read 16-bit holding registers from a Modbus slave.

Prototype

```
CPU_INT16U  MBM_FC03_HoldingRegRd (MODBUS_CH  *pch,  
                                   CPU_INT08U  slave_node,  
                                   CPU_INT16U  start_addr,  
                                   CPU_INT16U  *p_reg_tbl,  
                                   CPU_INT16U  nbr_regs);
```

Arguments

<code>pch</code>	is a pointer to the channel (returned by <code>MB_CfgCh()</code>). This pointer specifies onto which channel the Modbus master will be communicating on. Of course, 'pch' must have been configured as a Master when you configured the channel.
<code>slave_node</code>	specifies the slave 'node address' that you desire to read the registers from. This can be a number between 1 and 255 but needs to match the number assigned to the slave node.
<code>start_addr</code>	specifies the start address of the holding registers. This can be from 0 to 65535. Note that the start address must be a number lower than <code>MODBUS_CFG_FP_START_IX</code> (of the slave) if you intend to have floating-point registers (i.e you set <code>MODBUS_CFG_FP_EN</code> to <code>DEF_ENABLED</code> in <code>mb_cfg.h</code> in the slave).
<code>p_reg_tbl</code>	is a pointer to an array of unsigned 16 bit values that will receive the value of all the registers you are reading. The size of the array needs to be at least <code>nbr_regs</code> . Note that you can 'cast' the unsigned values to signed values. As far as the Modbus protocol is concerned, it sends and receives 16 bit values and the interpretation of what these values mean is application specific.
<code>nbr_regs</code>	specifies the number of registers you want to read from the slave.

Returned Value

MODBUS_ERR_NONE

if the call was successful.

MODBUS_ERR_RX

if a response was not received from the slave within the timeout specified for this channel (see `MB_CfgCh()`).

MODBUS_ERR_SLAVE_ADDR

If the transmitted slave address doesn't correspond to the received slave address

MODBUS_ERR_FC

If the transmitted function code doesn't correspond to the received function code

MODBUS_ERR_BYTE_COUNT

If the expected number of bytes to receive doesn't correspond to the number of bytes received.

Notes / Warnings

`MODBUS_CFG_FP_START_IX` corresponds to that of the slave.

Called By

Your Modbus master application.

Example

3.07 Using µC/Modbus-M, MBM_FC03_HoldingRegRdFP()

This function is called from YOUR application code to read 32-bit floating-point registers from a Modbus slave.

Prototype

```
CPU_INT16U  MBM_FC03_HoldingRegRdFP (MODBUS_CH  *pch,  
                                      CPU_INT08U  slave_node,  
                                      CPU_INT16U  start_addr,  
                                      CPU_FP32   *p_reg_tbl,  
                                      CPU_INT16U  nbr_regs);
```

Arguments

<code>pch</code>	is a pointer to the channel (returned by <code>MB_CfgCh()</code>). This pointer specifies onto which channel the Modbus master will be communicating on. Of course, 'pch' must have been configured as a Master when you configured the channel.
<code>slave_node</code>	specifies the slave 'node address' that you desire to read the registers from. This can be a number between 1 and 255 but needs to match the number assigned to the slave node.
<code>start_addr</code>	specifies the start address of the floating-point holding registers. This can be from <code>MODBUS_CFG_FP_START_IX</code> to 65535 (of the slave) and assumes that you enabled floating-point support by setting <code>MODBUS_CFG_FP_EN</code> to <code>DEF_ENABLED</code> in <code>mb_cfg.h</code> in the slave .
<code>p_reg_tbl</code>	is a pointer to an array of 32-bit IEEE-754 format floating-point values that will receive the value of all the registers you are reading. The size of the array needs to be at least <code>nbr_regs</code> .
<code>nbr_regs</code>	specifies the number of registers you want to read from the slave.

Returned Value

MODBUS_ERR_NONE

if the call was successful.

MODBUS_ERR_RX

if a response was not received from the slave within the timeout specified for this channel (see `MB_CfgCh()`).

MODBUS_ERR_SLAVE_ADDR

If the transmitted slave address doesn't correspond to the received slave address

MODBUS_ERR_FC

If the transmitted function code doesn't correspond to the received function code

MODBUS_ERR_BYTE_COUNT

If the expected number of bytes to receive doesn't correspond to the number of bytes received.

Notes / Warnings

The floating-point format corresponds to the Daniels Flow control extensions. Specifically, a register is assumed to be 32 bits and uses the IEEE-754 format.

Floating-support must have been enabled in the slave you are communicating with and, the start address of the floating-point registers (`MODBUS_CFG_FP_START_IX`) corresponds to that of the slave.

Called By

Your Modbus master application.

Example

3.08 Using µC/Modbus-M, MBM_FC04_InRegRd()

This function is called from YOUR application code to read 16-bit input registers registers from a Modbus slave.

Prototype

```
CPU_INT16U  MBM_FC04_InRegRd (MODBUS_CH  *pch,  
                             CPU_INT08U  slave_node,  
                             CPU_INT16U  start_addr,  
                             CPU_INT16U  *p_reg_tbl,  
                             CPU_INT16U  nbr_regs);
```

Arguments

<code>pch</code>	is a pointer to the channel (returned by <code>MB_CfgCh()</code>). This pointer specifies onto which channel the Modbus master will be communicating on. Of course, 'pch' must have been configured as a Master when you configured the channel.
<code>slave_node</code>	specifies the slave 'node address' that you desire to read the registers from. This can be a number between 1 and 255 but needs to match the number assigned to the slave node.
<code>start_addr</code>	specifies the start address of the registers. This can be from 0 to 65535. Note that the start address must be a number lower than <code>MODBUS_CFG_FP_START_IX</code> (of the slave) if you intend to have floating-point registers (i.e you set <code>MODBUS_CFG_FP_EN</code> to <code>DEF_ENABLED</code> in <code>mb_cfg.h</code> in the slave).
<code>p_reg_tbl</code>	is a pointer to an array of unsigned 16 bit values that will receive the value of all the registers you are reading. The size of the array needs to be at least <code>nbr_regs</code> . Note that you can 'cast' the unsigned values to signed values. As far as the Modbus protocol is concerned, it sends and receives 16 bit values and the interpretation of what these values mean is application specific.
<code>nbr_regs</code>	specifies the number of registers you want to read from the slave.

Returned Value

MODBUS_ERR_NONE

if the call was successful.

MODBUS_ERR_RX

if a response was not received from the slave within the timeout specified for this channel (see `MB_CfgCh()`).

MODBUS_ERR_SLAVE_ADDR

If the transmitted slave address doesn't correspond to the received slave address

MODBUS_ERR_FC

If the transmitted function code doesn't correspond to the received function code

MODBUS_ERR_BYTE_COUNT

If the expected number of bytes to receive doesn't correspond to the number of bytes received.

Notes / Warnings

`MODBUS_CFG_FP_START_IX` corresponds to that of the slave.

Called By

Your Modbus master application.

Example

3.09 Using µC/Modbus-M, MBM_FC05_CoilWr()

This function is called from YOUR application code to write to a single coil on a Modbus slave.

Prototype

```
CPU_INT16U  MBM_FC05_CoilWr (MODBUS_CH  *pch,  
                             CPU_INT08U  slave_node,  
                             CPU_INT16U  slave_addr,  
                             CPU_BOOLEAN  coil_val);
```

Arguments

<code>pch</code>	is a pointer to the channel (returned by <code>MB_CfgCh()</code>). This pointer specifies onto which channel the Modbus master will be communicating on. Of course, 'pch' must have been configured as a Master when you configured the channel.
<code>slave_node</code>	specifies the slave 'node address' that you desire to change the coil value. This can be a number between 1 and 255 but needs to match the number assigned to the slave node.
<code>slave_addr</code>	specifies the address of the coil that you want to change. This can be from 0 to 65535.
<code>coil_val</code>	is the desired value of the coil and can be either: <code>MODBUS_COIL_OFF</code> or <code>MODBUS_COIL_ON</code> .

Returned Value

MODBUS_ERR_NONE

if the call was successful.

MODBUS_ERR_RX

if a response was not received from the slave within the timeout specified for this channel (see `MB_CfgCh()`).

MODBUS_ERR_SLAVE_ADDR

If the transmitted slave address doesn't correspond to the received slave address

MODBUS_ERR_FC

If the transmitted function code doesn't correspond to the received function code

MODBUS_ERR_BYTE_COUNT

If the expected number of bytes to receive doesn't correspond to the number of bytes received.

MODBUS_ERR_COIL_ADDR

If you specified an invalid coil address.

Notes / Warnings

None

Called By

Your Modbus master application.

Example

3.10 Using µC/Modbus-M, MBM_FC06_HoldingRegWr()

This function is called from YOUR application code to write to a single 16-bit holding registers on a Modbus slave.

Prototype

```
CPU_INT16U  MBM_FC06_HoldingRegWr (MODBUS_CH  *pch,  
                                   CPU_INT08U  slave_node,  
                                   CPU_INT16U  slave_addr,  
                                   CPU_INT16U  reg_val);
```

Arguments

<code>pch</code>	is a pointer to the channel (returned by <code>MB_CfgCh()</code>). This pointer specifies onto which channel the Modbus master will be communicating on. Of course, 'pch' must have been configured as a Master when you configured the channel.
<code>slave_node</code>	specifies the slave 'node address' of the holding register you want to change. This can be a number between 1 and 255 but needs to match the number assigned to the slave node.
<code>slave_addr</code>	specifies the address of the holding register that you want to change. This can be from 0 to 65535.
<code>reg_val</code>	is the desired value of the holding register. If the holding register you are changing is a signed value, simply cast the value to unsigned. Modbus reads and writes 16-bit values and doesn't really care about the sign.

Returned Value

MODBUS_ERR_NONE

if the call was successful.

MODBUS_ERR_RX

if a response was not received from the slave within the timeout specified for this channel (see `MB_CfgCh()`).

MODBUS_ERR_SLAVE_ADDR

If the transmitted slave address doesn't correspond to the received slave address

MODBUS_ERR_FC

If the transmitted function code doesn't correspond to the received function code

MODBUS_ERR_BYTE_COUNT

If the expected number of bytes to receive doesn't correspond to the number of bytes received.

Notes / Warnings

None

Called By

Your Modbus master application.

Example

µC/Modbus

3.11 Using µC/Modbus-M, MBM_FC06_HoldingRegWrFP()

This function is called from YOUR application code to write to a single 32-bit floating-point holding registers on a Modbus slave.

Prototype

```
CPU_INT16U  MBM_FC06_HoldingRegWrFP (MODBUS_CH  *pch,  
                                     CPU_INT08U  slave_node,  
                                     CPU_INT16U  slave_addr,  
                                     CPU_FP32   reg_val);
```

Arguments

<code>pch</code>	is a pointer to the channel (returned by <code>MB_CfgCh()</code>). This pointer specifies onto which channel the Modbus master will be communicating on. Of course, 'pch' must have been configured as a Master when you configured the channel.
<code>slave_node</code>	specifies the slave 'node address' of the holding register you want to change. This can be a number between 1 and 255 but needs to match the number assigned to the slave node.
<code>slave_addr</code>	specifies the address of the holding register that you want to change. This can be from 0 to 65535.
<code>reg_val</code>	is the desired floating-point value of the holding register. The floating-point value assumes an IEEE-754 format.

Returned Value

MODBUS_ERR_NONE

if the call was successful.

MODBUS_ERR_RX

if a response was not received from the slave within the timeout specified for this channel (see `MB_CfgCh()`).

MODBUS_ERR_SLAVE_ADDR

If the transmitted slave address doesn't correspond to the received slave address

MODBUS_ERR_FC

If the transmitted function code doesn't correspond to the received function code

MODBUS_ERR_BYTE_COUNT

If the expected number of bytes to receive doesn't correspond to the number of bytes received.

Notes / Warnings

None

Called By

Your Modbus master application.

Example

3.12 Using µC/Modbus-M, MBM_FC08_Diag()

This function is called from YOUR application code to perform a diagnostic check on a Modbus slave.

Prototype

```
CPU_INT16U MBM_FC08_Diag (MODBUS_CH *pch,  
                          CPU_INT08U slave_node,  
                          CPU_INT16U fncnt,  
                          CPU_INT16U sub_fncnt,  
                          CPU_INT16U *pval);
```

Arguments

`pch` is a pointer to the channel (returned by `MB_CfgCh()`). This pointer specifies onto which channel the Modbus master will be communicating on. Of course, 'pch' must have been configured as a Master when you configured the channel.

`slave_node` specifies the slave 'node address' of the slave you want to perform a diagnostic function to. This can be a number between 1 and 255 but needs to match the number assigned to the slave node.

`fncnt` specifies the function you want to perform on the slave and you must specify either:

`MODBUS_FC08_LOOPBACK_CLR_CTR`
You want to clear the loopback counters in the slave.

`MODBUS_FC08_BUS_MSG_CTR`
You want to read the counter of messages received by the slave. This counter keeps track of all messages received whether processed or not.

`MODBUS_FC08_BUS_CRC_CTR`
You want to read the counter of bad CRCs detected by the slave.

`MODBUS_FC08_BUS_EXCEPT_CTR`
You want to read the counter of exceptions detected by the slave.

`MODBUS_FC08_SLAVE_MSG_CTR`
You want to read the number of message received and processed by the slave.

MODBUS_FC08_SLAVE_NO_RESP_CTR

You want to read the number of messages that have not been replied to because of bad CRCs, invalid commands, etc.

`sub_fnct` corresponds to a sub-function argument for the function. At this time, **µC/Modbus** does not support sub-functions.

Returned Value

MODBUS_ERR_NONE

if the call was successful.

MODBUS_ERR_RX

if a response was not received from the slave within the timeout specified for this channel (see `MB_CfgCh()`).

MODBUS_ERR_SLAVE_ADDR

If the transmitted slave address doesn't correspond to the received slave address

MODBUS_ERR_DIAG

If you specified an invalid diagnostic function code (i.e. not one of the function described in the '`fnct`' argument).

MODBUS_ERR_SUB_FNCT

If you specified an invalid sub-function.

Notes / Warnings

None

Called By

Your Modbus master application.

Example

3.13 Using µC/Modbus-M, MBM_FC15_CoilWr()

This function is called from YOUR application code to write to multiple coils on a Modbus slave.

Prototype

```
CPU_INT16U MBM_FC15_CoilWr (MODBUS_CH *pch,  
                             CPU_INT08U slave_node,  
                             CPU_INT16U slave_addr,  
                             CPU_INT08U *p_coil_tbl,  
                             CPU_INT16U nbr_coils);
```

Arguments

`pch` is a pointer to the channel (returned by `MB_CfgCh()`). This pointer specifies onto which channel the Modbus master will be communicating on. Of course, 'pch' must have been configured as a Master when you configured the channel.

`slave_node` specifies the slave 'node address' that you desire to change the coil values. This can be a number between 1 and 255 but needs to match the number assigned to the slave node.

`slave_addr` specifies the start address of the coils that you want to change. This can be from 0 to 65535.

`p_coil_tbl` is an array of values corresponding to the desired values for the coils. The format is assumed to be as follows:

	<i>MSB</i>							<i>LSB</i>
	<i>B7</i>	<i>B6</i>	<i>B5</i>	<i>B4</i>	<i>B3</i>	<i>B2</i>	<i>B1</i>	<i>B0</i>
<code>p_coil_tbl[0]</code>	<code>#8</code>	<code>#7</code>						<code>#1</code>
<code>p_coil_tbl[1]</code>	<code>#16</code>	<code>#15</code>						<code>#9</code>
	<code>:</code>							
	<code>:</code>							

`nbr_coils` specifies the number of coils you are changing. Of course the array pointed to by `p_coil_tbl` must contain the corresponding number of entries.

Returned Value

MODBUS_ERR_NONE

if the call was successful.

MODBUS_ERR_RX

if a response was not received from the slave within the timeout specified for this channel (see `MB_CfgCh()`).

MODBUS_ERR_SLAVE_ADDR

If the transmitted slave address doesn't correspond to the received slave address

MODBUS_ERR_FC

If the transmitted function code doesn't correspond to the received function code

MODBUS_ERR_BYTE_COUNT

If the expected number of bytes to receive doesn't correspond to the number of bytes received.

Notes / Warnings

None

Called By

Your Modbus master application.

Example

3.14 Using µC/Modbus-M, MBM_FC16_HoldingRegWrN ()

This function is called from YOUR application code to write to multiple 16-bit holding registers on a Modbus slave.

Prototype

```
CPU_INT16U  MBM_FC16_HoldingRegWrN (MODBUS_CH  *pch,  
                                     CPU_INT08U  slave_node,  
                                     CPU_INT16U  slave_addr,  
                                     CPU_INT16U  *p_reg_tbl,  
                                     CPU_INT16U  nbr_reg);
```

Arguments

<code>pch</code>	is a pointer to the channel (returned by <code>MB_CfgCh()</code>). This pointer specifies onto which channel the Modbus master will be communicating on. Of course, 'pch' must have been configured as a Master when you configured the channel.
<code>slave_node</code>	specifies the slave 'node address' of the holding registers you want to change. This can be a number between 1 and 255 but needs to match the number assigned to the slave node.
<code>slave_addr</code>	specifies the start address of the holding registers that you want to change. This can be from 0 to 65535.
<code>p_reg_tbl</code>	is an array of values corresponding to the desired values of the holding registers in the slave. If the holding registers you are changing are signed values, simply cast the value to unsigned. Modbus reads and writes 16-bit values and doesn't really care about the sign.
<code>nbr_reg</code>	specifies the number of registers you want to change. Of course the array pointed to by <code>p_reg_tbl</code> must contain the corresponding number of values.

Returned Value

MODBUS_ERR_NONE

if the call was successful.

MODBUS_ERR_RX

if a response was not received from the slave within the timeout specified for this channel (see `MB_CfgCh()`).

MODBUS_ERR_SLAVE_ADDR

If the transmitted slave address doesn't correspond to the received slave address

MODBUS_ERR_FC

If the transmitted function code doesn't correspond to the received function code

MODBUS_ERR_BYTE_COUNT

If the expected number of bytes to receive doesn't correspond to the number of bytes received.

Notes / Warnings

None

Called By

Your Modbus master application.

Example

3.15 Using µC/Modbus-M, MBM_FC16_HoldingRegWrNFP()

This function is called from YOUR application code to write to multiple 32-bit floating-point holding registers on a Modbus slave.

Prototype

```
CPU_INT16U  MBM_FC16_HoldingRegWrNFP (MODBUS_CH  *pch,  
                                       CPU_INT08U  slave_node,  
                                       CPU_INT16U  slave_addr,  
                                       CPU_FP32   *p_reg_tbl,  
                                       CPU_INT16U  nbr_reg);
```

Arguments

<code>pch</code>	is a pointer to the channel (returned by <code>MB_CfgCh()</code>). This pointer specifies onto which channel the Modbus master will be communicating on. Of course, 'pch' must have been configured as a Master when you configured the channel.
<code>slave_node</code>	specifies the slave 'node address' of the floating-point holding registers you want to change. This can be a number between 1 and 255 but needs to match the number assigned to the slave node.
<code>slave_addr</code>	specifies the start address of the floating-point holding registers that you want to change. This can be from 0 to 65535.
<code>p_reg_tbl</code>	is an array of IEEE-754 floating-point values corresponding to the desired values of the holding registers in the slave.
<code>nbr_reg</code>	specifies the number of registers you want to change. Of course the array pointed to by <code>p_reg_tbl</code> must contain the corresponding number of values.

Returned Value

MODBUS_ERR_NONE

if the call was successful.

MODBUS_ERR_RX

if a response was not received from the slave within the timeout specified for this channel (see `MB_CfgCh()`).

MODBUS_ERR_SLAVE_ADDR

If the transmitted slave address doesn't correspond to the received slave address

MODBUS_ERR_FC

If the transmitted function code doesn't correspond to the received function code

MODBUS_ERR_BYTE_COUNT

If the expected number of bytes to receive doesn't correspond to the number of bytes received.

Notes / Warnings

None

Called By

Your Modbus master application.

Example

μC/Modbus

3.16 Using μC/Modbus, MB_Init()

As mentioned in the previous section, `MB_Init()` needs to be called to initialize **μC/Modbus**. When called, `MB_Init()` creates one task that handles processing of all frames sent to your product. See section 7 for details.

Prototype

```
void MB_Init (CPU_INT32U freq);
```

Arguments

`freq` corresponds to the RTU timer interrupt frequency you intend to use. If you don't use Modbus RTU in your product, simply pass 0.

Returned Value

None

Notes / Warnings

None

Called By

Your Modbus master or slave application.

Example

3.17 Using µC/Modbus, MB_ModeSet()

This function allows you to change the Modbus mode of a channel. You would typically not need to use this function because the channel's mode would have been set in `MB_CfgCh()`.

Prototype

```
void MB_ModeSet (MODBUS_CH *pch,  
                CPU_INT08U mode)
```

Arguments

`pch` is a pointer to the channel (returned by `MB_CfgCh()`). This pointer specifies onto which channel the Modbus master will be communicating on.

`mode` specifies whether you want the channel to support ASCII or RTU mode and thus, you must pass either `MODBUS_MODE_ASCII` or `MODBUS_MODE_RTU`, respectively.

Returned Value

None

Notes / Warnings

None

Called By

Your Modbus master or slave application.

Example

µC/Modbus

3.18 Using µC/Modbus-S, MB_NodeAddrSet()

This function allows you to change the 'node address' that the channel will respond to. You would typically not need to use this function because the channel's address would have been set in `MB_CfgCh()`.

```
void MB_NodeAddrSet (MODBUS_CH *pch,  
                    CPU_INT08U addr)
```

Arguments

`pch` is a pointer to the channel (returned by `MB_CfgCh()`). This pointer specifies onto which channel the Modbus master will be communicating on. This channel must have been configured as a Modbus slave.

`addr` is the node number and can be anything from 1 to 255.

Returned Value

None

Notes / Warnings

None

Called By

Your Modbus slave application.

Example

3.19 Using µC/Modbus-S, MB_WrEnSet()

This function allows you to enable or disable writes to parameters in your product. In other words, this allows channels to act as read-only channels. You would typically not need to use this function because the channel read/write privilege would have been set in `MB_CfgCh()`.

```
void MB_WrEnSet (MODBUS_CH *pch,  
                CPU_INT08U wr_en)
```

Arguments

`pch` is a pointer to the channel (returned by `MB_CfgCh()`). This pointer specifies onto which channel the Modbus master will be communicating on. This channel must have been configured as a Modbus slave.

`wr_en` determines whether writes are enabled or not. You must pass either: `MODBUS_WR_EN` or `MODBUS_WR_DIS`.

Returned Value

None

Notes / Warnings

None

Called By

Your Modbus master or slave application.

Example

µC/Modbus

4.00 Configuring µC/Modbus

Configuration of **µC/Modbus** is done at compile time via about 20 `#define` constants. Configuration values are found in `mb_cfg.h` which should be placed in your product's directory or, you can copy the `#define` constants in a header file of your choice. It's recommended that you copy the `mb_cfg.h` file that is provided with the **µC/Modbus** distribution and modify its content instead of creating `mb_cfg.h` from scratch. This way you have a better chance of not forgetting any `#define` constants. Default values are shown in **RED**.

4.01 Configuring µC/Modbus, MODBUS_CFG_SLAVE_EN

This `#define` constant specifies whether your product will support Modbus slave (or server) mode. Set this `#define` to **DEF_ENABLED** to enable SLAVE code. Set this `#define` to **DEF_DISABLED** to disable SLAVE code. You must have purchased the **µC/Modbus-S** package in order to set this `#define` to **DEF_ENABLED**.

4.02 Configuring µC/Modbus, MODBUS_CFG_MASTER_EN

This `#define` constant specifies whether your product will support Modbus master (or client) mode. Set this `#define` to **DEF_ENABLED** to enable MASTER code. Set this `#define` to **DEF_DISABLED** to disable Master code. You must have purchased the **µC/Modbus-M** package in order to set this `#define` to **DEF_ENABLED**.

4.03 Configuring µC/Modbus, MODBUS_CFG_ASCII_EN

This `#define` constant specifies whether your product will support the Modbus ASCII protocol. Setting this value to **DEF_ENABLED** allows any Modbus channel to be configured for Modbus ASCII mode. Note that each channel must be configured to either Modbus ASCII or Modbus RTU mode at run-time. Setting `MODBUS_CFG_ASCII_EN` to **DEF_ENABLED** doesn't mean that your product **MUST** use ASCII mode, it just means that the code to support Modbus ASCII will be included in the compilation.

4.04 Configuring µC/Modbus, MODBUS_CFG_RTU_EN

This `#define` constant specifies whether your product will support the MODBUS RTU protocol. Setting this value to `DEF_ENABLED` allows any Modbus channel to be configured for Modbus RTU mode. Note that each channel must be configured to either MODBUS ASCII or MODBUS RTU mode at run-time. Setting `MODBUS_CFG_RTU_EN` to `DEF_ENABLED` doesn't mean that your product MUST use RTU mode, it just means that the code to support MODBUS RTU will be included in the compilation.

4.05 Configuring µC/Modbus, MODBUS_CFG_MAX_CH

µC/Modbus allows you to provide multiple communication 'channels' in your product. Each channel allows a MODBUS master to request data from your product. If your product only provides one channel, you should set `MODBUS_CFG_MAX_CH` to 1.

4.06 Configuring µC/Modbus, MODBUS_CFG_BUF_SIZE

MODBUS protocol packets can contain up to 256 bytes of data. To hold this data, each **µC/Modbus** channel allocates storage buffers: TWO for received packets and TWO for transmit packets. If your application sends and receives small packets, you can reduce the buffer size in order to conserve RAM. However, we recommend that you leave `MODBUS_CFG_BUF_SIZE` to its default value of 255. With 255, a Modbus channel will require 1020 bytes of RAM for buffers.

4.07 Configuring µC/Modbus, MODBUS_CFG_FP_EN

When set to `DEF_ENABLED`, this `#define` constant is used to enable code generation for floating-point support of the "Daniels Flow Meter Floating-Point Extension". The default value should be `DEF_DISABLED`.

4.08 Configuring µC/Modbus, MODBUS_CFG_FP_START_IX

This `#define` establishes the start address for floating-point numbers use in Input Registers and Holding Registers. Basically, integer input registers and holding registers go from address (or index) 0 to `MODBUS_CFG_FP_START_IX-1` and floating-point input registers and holding registers, from `MODBUS_CFG_FP_START_IX` to 65535.

µC/Modbus

4.09 Configuring µC/Modbus, MODBUS_CFG_FC01_EN

When set to `DEF_ENABLED`, this `#define` determines whether **µC/Modbus** will support Coil Read commands (Function Code #1). When set to `DEF_DISABLED`, code will not be generated for this command.

4.10 Configuring µC/Modbus, MODBUS_CFG_FC02_EN

When set to `DEF_ENABLED`, this `#define` determines whether **µC/Modbus** will support Discrete Input Read commands (Function Code #2). When set to `DEF_DISABLED`, code will not be generated for this command.

4.11 Configuring µC/Modbus, MODBUS_CFG_FC03_EN

When set to `DEF_ENABLED`, this `#define` determines whether **µC/Modbus** will support Holding register Read commands (Function Code #3). When set to `DEF_DISABLED`, code will not be generated for this command.

4.12 Configuring µC/Modbus, MODBUS_CFG_FC04_EN

When set to `DEF_ENABLED`, this `#define` determines whether **µC/Modbus** will support Input register Read commands (Function Code #4). When set to `DEF_DISABLED`, code will not be generated for this command.

4.13 Configuring µC/Modbus, MODBUS_CFG_FC05_EN

When set to `DEF_ENABLED`, this `#define` determines whether **µC/Modbus** will support Coil Write commands (Function Code #5). When set to `DEF_DISABLED`, code will not be generated for this command.

4.14 Configuring µC/Modbus, MODBUS_CFG_FC06_EN

When set to `DEF_ENABLED`, this `#define` determines whether **µC/Modbus** will support writing to a single Holding Register commands (Function Code #6). When set to `DEF_DISABLED`, code will not be generated for this command.

4.15 Configuring µC/Modbus, MODBUS_CFG_FC08_EN

When set to `DEF_ENABLED`, this `#define` determines whether **µC/Modbus** will support diagnostic loopback commands (Function Code #8). When set to `DEF_DISABLED`, code will not be generated for this command.

4.16 Configuring µC/Modbus, MODBUS_CFG_FC15_EN

When set to `DEF_ENABLED`, this `#define` determines whether **µC/Modbus** will support the Multiple Coil Write command (Function Code #15). When set to `DEF_DISABLED`, code will not be generated for this command.

4.17 Configuring µC/Modbus, MODBUS_CFG_FC16_EN

When set to `DEF_ENABLED`, this `#define` determines whether **µC/Modbus** will support the Multiple Holding Register Write command (Function Code #16). When set to `DEF_DISABLED`, code will not be generated for this command.

4.18 Configuring µC/Modbus-S, MODBUS_CFG_FC20_EN

When set to `DEF_ENABLED`, this `#define` determines whether **µC/Modbus** will support the File Read command (Function Code #20). When set to `DEF_DISABLED`, code will not be generated for this command.

4.19 Configuring µC/Modbus-S, MODBUS_CFG_FC21_EN

When set to `DEF_ENABLED`, this `#define` determines whether **µC/Modbus** will support the File Write command (Function Code #21). When set to `DEF_DISABLED`, code will not be generated for this command.

µC/Modbus

4.20 Configuring µC/Modbus, RAM Memory Requirements

The amount of RAM required by each **µC/Modbus** channel is shown in the table below. The table assumes that pointers are 32 bits wide.

Table 3-1, RAM Requirements for each µC/Modbus channel.

Data Type	Data Type Size (Bytes)	#Elements for Specific Data Type	Total Bytes
CPU_BOOLEAN	1	1	1
CPU_INT08U	1	8 + 4 * MODBUS_CFG_BUF_SIZE	1028
CPU_INT16U	2	13 + 2 * MODBUS_CFG_RTU_EN	30
CPU_INT32U	4	4	16
CPU_INT08U *	4	2	8
		Total (per µC/Modbus channel): (see MB_ChSize)	1083

The 'global' variable `MB_TotalRAMSize` contains the total amount of RAM (in bytes) needed by **µC/Modbus** for the configuration you specify. Similarly, `MB_ChSize` contains the amount of RAM (in bytes) needed by each Modbus channel. Both of these 'variables' are 32-bit values and are actually declared as 'const' and thus, use 8 bytes of ROM and no RAM.

5.00 µC/Modbus-S, Accessing application data

µC/Modbus-S accesses your application data via interface functions that are defined in `mb_data.c`. Specifically, functions that **YOU** provided in this file are called by **µC/Modbus-S** to read and write coils, integers, floating-point values and more. It's up to you to decide how your data is accessed. Specifically, you can use tables, functions, `switch` statements, etc. Examples are provided in this section. This flexibility also allows you to execute code whenever a data is read or written.

You must thus write the code for the following functions:

```
MB_CoilRd()  
MB_CoilWr()  
MB_DIRd()  
MB_InRegRd()  
MB_InRegRdFP()  
MB_HoldingRegRd()  
MB_HoldingRegRdFP()  
MB_HoldingRegWr()  
MB_HoldingRegWrFP()  
MB_FileRd()  
MB_FileWr()
```

µC/Modbus

5.01 µC/Modbus-S, MB_CoilRd()

MB_CoilRd() is called when a Modbus master sends a Function Code 1 command. MB_CoilRd() returns the value of a single coil. MB_CoilRd() should only be called by µC/Modbus.

Prototype

```
CPU_BOOLEAN MB_CoilRd (CPU_INT16U coil,  
                       CPU_INT16U *perr)
```

Arguments

coil Is the coil number that you want to read and can be a number between 0 and 65535 (depending on your product). It is up to you to decide which coil is assigned to what variable in your product.

perr Is a pointer to a variable that will contain an error code based on the outcome of the call. Your code thus needs to return one of the following error codes:

MODBUS_ERR_NONE if the coil number you specified is a valid coil and you are able to have code access the value of this coil.

MODBUS_ERR_RANGE if the coil number passed as an argument is not a valid coil number for your product.

Returned Value

MB_CoilRd() returns the current value of the specified coil number (TRUE or FALSE). If an invalid coil number is specified, you should return FALSE.

Notes / Warnings

Code is enabled when MODBUS_CFG_FC01_EN is set to DEF_ENABLED in your product's mb_cfg.h file.

Called By:

MBS_FC01_CoilRd() in mbs_core.c

Example

In this example, our product has 163 coils. 160 coils are placed in a table called `AppCoilTbl[]`. The other three coils are actually variables that we treat as coils to allow a Modbus master to read the status of those values. The first 160 coils are assigned coil numbers 0 to 159. Coil numbers 200, 201 and 202 correspond to the following application variables: `AppStatus`, `AppRunning` and `AppLED`, respectively.

```
CPU_INT08U   AppCoilTbl[20];
CPU_BOOLEAN  AppStatus;
CPU_BOOLEAN  AppRunning;
CPU_BOOLEAN  AppLED;

CPU_BOOLEAN  MB_CoilRd (CPU_INT16U coil, CPU_INT16U *perr)
{
    CPU_INT08U ix;
    CPU_INT08U bit_nbr;

    *perr = MODBUS_ERR_NONE;
    if (coil < 20 * sizeof(CPU_INT08U)) {
        ix      = coil / 8;
        bit_nbr = coil % 8;
        if (AppCoilTbl[ix] & (1 << bit_nbr)) {
            return (TRUE);
        } else {
            return (FALSE);
        }
    }
    return (val);
} else {
    switch (coil) {
        case 200:
            return (AppStatus);

        case 201:
            return (AppRunning);

        case 202:
            return (AppLED);

        default:
            *perr = MODBUS_ERR_RANGE;
            return (0);
    }
}
}
```

µC/Modbus

5.02 µC/Modbus-S, MB_CoilWr()

MB_CoilWr() is called when a Modbus master sends a Function Code 5 and Function Code 15 command. MB_CoilWr() changes the value of a single coil. MB_CoilWr() should only be called by **µC/Modbus**.

Prototype

```
void MB_CoilWr (CPU_INT16U coil,
                CPU_BOOLEAN coil_val;
                CPU_INT16U *perr)
```

Arguments

coil	Is the coil number that you want to change and can be a number between 0 and 65535 (depending on your product). It is up to you to decide which coil is assigned to what variable in your product.
coil_val	Is the value you want to change the coil to and can be either DEF_TRUE or DEF_FALSE.
perr	Is a pointer to a variable that will contain an error code based on the outcome of the call. Your code thus needs to return one of the following error codes: MODBUS_ERR_NONE if the coil number you specified is a valid coil and you are able to have code access the value of this coil. MODBUS_ERR_RANGE if the coil number passed as an argument is not a valid coil number for your product.

Returned Value

None

Notes / Warnings

Code is enabled when either MODBUS_CFG_FC05_EN is set to DEF_ENABLED or MODBUS_CFG_FC15_EN is set to DEF_ENABLED in your product's mb_cfg.h file.

Called By:

MBS_FC05_CoilWr() and MBS_FC15_CoilWrMultiple() in mbs_core.c

Example

In this example, our product has 163 coils. 160 coils are placed in a table called `AppCoilTbl[]`. The other three coils are actually variables that we treat as coils to allow a MODBUS master to read the status of those values. The first 160 coils are assigned coil numbers 0 to 159. Coil numbers 200, 201 and 202 correspond to the following application variables: `AppStatus`, `AppRunning` and `AppLED`, respectively.

```
CPU_INT08U   AppCoilTbl[20];
CPU_BOOLEAN  AppStatus;
CPU_BOOLEAN  AppRunning;
CPU_BOOLEAN  AppLED;

void MB_CoilWr (CPU_INT16U coil, CPU_BOOLEAN coil_val, CPU_INT16U *perr)
{
    CPU_INT08U ix;
    CPU_INT08U bit_nbr;

    *perr = MODBUS_ERR_NONE;
    if (coil < 20 * sizeof(CPU_INT08U)) {
        ix      = coil / 8;
        bit_nbr = coil % 8;
        CPU_CRITICAL_ENTER();
        if (coil_val == TRUE) {
            AppCoilTbl[ix] |= (1 << bit_nbr);
        } else {
            AppCoilTbl[ix] &= ~(1 << bit_nbr);
        }
        CPU_CRITICAL_EXIT();
    } else {
        switch (coil) {
            case 200:
                AppStatus = coil_val;
                break;

            case 201:
                AppRunning = coil_val;
                break;

            case 202:
                AppLED      = coil_val;
                break;

            default:
                *perr = MODBUS_ERR_RANGE;
                break;
        }
    }
}
```

5.03 µC/Modbus-S, MB_DIRd()

MB_DIRd() is called when a Modbus master sends a Function Code 2 command. MB_DIRd() read the value of a single discrete input. MB_DIRd() should only be called by **µC/Modbus**.

Prototype

```
CPU_BOOLEAN MB_DIRd (CPU_INT16U di,  
                    CPU_INT16U *perr)
```

Arguments

di Is the discrete input number that you want to read and can be a number between 0 and 65535 (depending on your product). It is up to you to decide which discrete input is assigned to what variable in your product.

perr Is a pointer to a variable that will contain an error code based on the outcome of the call. Your code thus needs to return one of the following error codes:

MODBUS_ERR_NONE if the discrete input number you specified is a valid discrete input and you are able to have code access the value of this discrete input.

MODBUS_ERR_RANGE if the discrete input number passed as an argument is not a valid discrete input number for your product.

Returned Value

MB_DIRd() returns the current value of the specified discrete input (TRUE or FALSE). If an invalid discrete input number is specified, you should return FALSE.

Notes / Warnings

Code is enabled when MODBUS_CFG_FC02_EN is set to DEF_ENABLED in your product's mb_cfg.h file.

Called By:

MBS_FC02_DIRd() in mbs_core.c

Example

In this example, our product has 19 discrete inputs. 16 of these discrete are placed in `AppDITbl[]` by your application. The other three discrete inputs actually represent the status of three switches that your application reads and places the status into the following variables: `AppSwStart`, `AppSwStop` and `AppSwReset`. A pressed switch is indicated by a `TRUE` and a released switch is represented by a `FALSE`.

Your systems Engineer decided to assign Modbus discrete input numbers 100, 101 and 102 to the three switches and the other discrete inputs to 103 through 118.

```
CPU_BOOLEAN AppDITbl[16];
CPU_BOOLEAN AppSwStart;
CPU_BOOLEAN AppSwStop;
CPU_BOOLEAN AppSwReset;

CPU_BOOLEAN MB_DIRd (CPU_INT16U di, CPU_INT16U *perr)
{
    *perr = MODBUS_ERR_NONE;
    switch (di) {
        case 100:
            return (AppSwStart);

        case 101:
            return (AppSwStop);

        case 102:
            return (AppSwReset);

        case 103:
        case 104:
        case 105:
        case 106:
        case 107:
        case 108:
        case 109:
        case 110:
        case 111:
        case 112:
        case 113:
        case 114:
        case 115:
        case 116:
        case 117:
        case 118:
            return (AppDITbl[di - 103]);

        default:
            *perr = MODBUS_ERR_RANGE;
            return (FALSE);
    }
}
```

5.04 µC/Modbus-S, MB_InRegRd()

`MB_InRegRd()` is called when a Modbus master sends a Function Code 4 command. `MB_InRegRd()` read the value of a single input register. Integer input registers are numbered from 0 through $(\text{MODBUS_CFG_FP_START_IX} - 1)$. `MODBUS_CFG_FP_START_IX` allows you to specify the start of 'floating-point' (see section 5.05, `MD_InRegRdFP()`). `MB_InRegRd()` should only be called by **µC/Modbus**.

Prototype

```
CPU_INT16U MB_InRegRd (CPU_INT16U reg,  
                      CPU_INT16U *perr)
```

Arguments

`reg` Is the desired input register to read and can be a number between 0 and $\text{MODBUS_CFG_FP_START_IX}-1$ (depending on your product). It is up to you to decide what application variable is assigned to each input register number. Note that if your product doesn't have any floating-point registers but a large number of input registers, you can set `MODBUS_CFG_FP_START_IX` to 65535.

`perr` Is a pointer to a variable that will contain an error code based on the outcome of the call. Your code thus needs to return one of the following error codes:

`MODBUS_ERR_NONE` if the input register number you specified is a valid input register and you are able to have code access the value of this input register.

`MODBUS_ERR_RANGE` if the input register number passed as an argument is not a valid input register number for your product.

Returned Value

`MB_InRegRd()` returns the current value of the specified input register as an unsigned value. Of course, you can also return 'signed' values but those need to be cast to `CPU_INT16U`. You should note that the value will not be changed if you cast a signed variable to `CPU_INT16U`. The Modbus master will receive the proper value and it's up to the Modbus master to properly retrieve the signed data. If an invalid input register number is specified, you should return 0.

Notes / Warnings

Code is enabled when `MODBUS_CFG_FC04_EN` is set to `DEF_ENABLED` in your product's `mb_cfg.h` file.

Called By:

`MBS_FC04_InRegRd()` in `mbs_core.c`

Example

In this example, our product has 4 integer variables that we want to assign to input registers. Your systems Engineer decided to assign Modbus input register numbers 1000, 1001, 1002 and 1003 to the four integer values. You will notice that we disable interrupts to access the variables. This is done in case your CPU is an 8-bit CPU and data accesses to 16-bit values are not atomic.

```
CPU_INT16S   AppTemp;
CPU_INT16U   AppCtr;
CPU_INT16S   AppPres;
CPU_INT16U   AppRxPktCtr;

CPU_INT16U   MB_InRegRd (CPU_INT16U reg, CPU_INT16U *perr)
{
    CPU_INT16U   val;

    *perr = MODBUS_ERR_NONE;
    switch (reg) {
        case 1000:
            CPU_CRITICAL_ENTER();
            val = (CPU_INT16U)AppTemp;
            CPU_CRITICAL_EXIT();
            return (val);

        case 1001:
            CPU_CRITICAL_ENTER();
            val = AppCtr;
            CPU_CRITICAL_EXIT();
            return (val);

        case 1002:
            CPU_CRITICAL_ENTER();
            val = (CPU_INT16U)AppPres;
            CPU_CRITICAL_EXIT();
            return (val);

        case 1003:
            CPU_CRITICAL_ENTER();
            val = AppRxPktCtr;
            CPU_CRITICAL_EXIT();
            return (val);

        default:
            *perr = MODBUS_ERR_RANGE;
            return (0);
    }
}
```

5.05 µC/Modbus-S, MB_InRegRdFP()

MB_InRegRdFP() is called when a Modbus master sends a Function Code 4 command. MB_InRegRdFP() read the value of a single input register but, it assumes that you are trying to access a floating-point variable. Floating-point input registers are numbered from MODBUS_CFG_FP_START_IX to 65535 (or less if you don't have a lot of floating-point registers). MODBUS_CFG_FP_START_IX allows you to specify the start of 'floating-point'. MB_InRegRdFP() should only be called by **µC/Modbus**.

Prototype

```
CPU_FP32 MB_InRegRdFP (CPU_INT16U reg,  
                      CPU_INT16U *perr)
```

Arguments

reg Is the desired input register to read and can be a number between MODBUS_CFG_FP_START_IX and 65535 (depending on your product). It is up to you to decide what application variable is assigned to each input register number. Note that if your product doesn't have any floating-point registers but a large number of input registers, you can set MODBUS_CFG_FP_START_IX to 65535.

perr Is a pointer to a variable that will contain an error code based on the outcome of the call. Your code thus needs to return one of the following error codes:

MODBUS_ERR_NONE if the input register number you specified is a valid input register and you are able to have code access the value of this input register.

MODBUS_ERR_RANGE if the input register number passed as an argument is not a valid input register number for your product.

Returned Value

MB_InRegRdFP() returns the current value of the specified floating-point input register as a 32-bit IEEE-754 unsigned value. If an invalid input register number is specified, you should return (CPU_FP32)0.

Notes / Warnings

Code is enabled when both MODBUS_CFG_FC04_EN is set to DEF_ENABLED and MODBUS_CFG_FP_EN is set to DEF_ENABLED in your product's mb_cfg.h file.

Called By:

MBS_FC04_InRegRd() in mbs_core.c

Example

In this example, our product has 4 floating-point variables that we want to assign to input registers. Your systems Engineer decided to assign MODBUS input register numbers MODBUS_CFG_FP_START_IX+0, MODBUS_CFG_FP_START_IX+1, MODBUS_CFG_FP_START_IX+2 and MODBUS_CFG_FP_START_IX+3 to the four floating-point values. You will notice that we disable interrupts to access the variables. This is done in case your CPU does not allow atomic access to the 32-bit floating-point values.

```

CPU_FP32 AppTempAir;
CPU_FP32 AppTempFuel;
CPU_FP32 AppPresAir;
CPU_FP32 AppPresFuel;

CPU_FP32 MB_InRegRdFP (CPU_INT16U reg, CPU_INT16U *perr)
{
    CPU_FP32 val;

    *perr = MODBUS_ERR_NONE;
    switch (reg) {
        case MODBUS_CFG_FP_START_IX + 0:
            CPU_CRITICAL_ENTER();
            val = AppTempAir;
            CPU_CRITICAL_EXIT();
            return (val);

        case MODBUS_CFG_FP_START_IX + 1:
            CPU_CRITICAL_ENTER();
            val = AppTempFuel;
            CPU_CRITICAL_EXIT();
            return (val);

        case MODBUS_CFG_FP_START_IX + 2:
            CPU_CRITICAL_ENTER();
            val = AppPresAir;
            CPU_CRITICAL_EXIT();
            return (val);

        case MODBUS_CFG_FP_START_IX + 3:
            CPU_CRITICAL_ENTER();
            val = AppPresFuel;
            CPU_CRITICAL_EXIT();
            return (val);

        default:
            *perr = MODBUS_ERR_RANGE;
            return ((CPU_FP32)0);
    }
}

```

5.06 µC/Modbus-S, MB_HoldingRegRd()

`MB_HoldingRegRd()` is called when a Modbus master sends a Function Code 3 command. `MB_HoldingRegRd()` read the value of a single holding register. Integer holding registers are numbered from 0 through `(MODBUS_CFG_FP_START_IX - 1)`. `MODBUS_CFG_FP_START_IX` allows you to specify the start of 'floating-point' (see section 5.07, `MD_HoldingRegRdFP()`). `MB_HoldingRegRd()` should only be called by **µC/Modbus**.

Prototype

```
CPU_INT16U  MB_HoldingRegRd (CPU_INT16U  reg,  
                             CPU_INT16U  *perr)
```

Arguments

`reg` Is the desired holding register to read and can be a number between 0 and `MODBUS_CFG_FP_START_IX-1` (depending on your product). It is up to you to decide what application variable is assigned to each holding register number. Note that if your product doesn't have any floating-point registers but a large number of holding registers, you can set `MODBUS_CFG_FP_START_IX` to 65535.

`perr` Is a pointer to a variable that will contain an error code based on the outcome of the call. Your code thus needs to return one of the following error codes:

`MODBUS_ERR_NONE` if the holding register number you specified is a valid holding register and you are able to have code access the value of this holding register.

`MODBUS_ERR_RANGE` if the holding register number passed as an argument is not a valid holding register number for your product.

Returned Value

`MB_HoldingRegRd()` returns the current value of the specified holding register as an unsigned value. Of course, you can also return 'signed' values but those need to be cast to `CPU_INT16U`. You should note that the value will not be changed if you cast a signed variable to `CPU_INT16U`. The Modbus master will receive the proper value and it's up to the Modbus master to properly retrieve the signed data . If an invalid holding register number is specified, you should return 0.

Notes / Warnings

Code is enabled when `MODBUS_CFG_FC03_EN` is set to `DEF_ENABLED` in your product's `mb_cfg.h` file.

Called By:

`MBS_FC03_HoldingRegRd()` in `mbs_core.c`

Example

In this example, our product has 4 integer variables that we want to assign to holding registers. Your systems Engineer decided to assign Modbus holding register numbers 1000, 1001, 1002 and 1003 to the four integer values. You will notice that we disable interrupts to access the variables. This is done in case your CPU is an 8-bit CPU and data accesses to 16-bit values are not atomic.

```
CPU_INT16S   AppTemp;
CPU_INT16U   AppCtr;
CPU_INT16S   AppPres;
CPU_INT16U   AppRxPktCtr;

CPU_INT16U   MB_HoldingRegRd (CPU_INT16U reg, CPU_INT16U *perr)
{
    CPU_INT16U   val;

    *perr = MODBUS_ERR_NONE;
    switch (reg) {
        case 1000:
            CPU_CRITICAL_ENTER();
            val = (CPU_INT16U)AppTemp;
            CPU_CRITICAL_EXIT();
            return (val);

        case 1001:
            CPU_CRITICAL_ENTER();
            val = AppCtr;
            CPU_CRITICAL_EXIT();
            return (val);

        case 1002:
            CPU_CRITICAL_ENTER();
            val = (CPU_INT16U)AppPres;
            CPU_CRITICAL_EXIT();
            return (val);

        case 1003:
            CPU_CRITICAL_ENTER();
            val = AppRxPktCtr;
            CPU_CRITICAL_EXIT();
            return (val);

        default:
            *perr = MODBUS_ERR_RANGE;
            return (0);
    }
}
```

5.07 µC/Modbus-S, MB_HoldingRegRdFP()

`MB_HoldingRegRdFP()` is called when a Modbus master sends a Function Code 3 command. `MB_HoldingRegRdFP()` read the value of a single holding register but, it assumes that you are trying to access a floating-point variable. Floating-point holding registers are numbered from `MODBUS_CFG_FP_START_IX` to 65535 (or less if you doesn't have a lot of floating-point registers). `MODBUS_CFG_FP_START_IX` allows you to specify the start of 'floating-point'. `MB_HoldingRegRdFP()` should only be called by **µC/Modbus**.

Prototype

```
CPU_FP32 MB_HoldingRegRdFP (CPU_INT16U reg,  
CPU_INT16U *perr)
```

Arguments

`reg` Is the desired holding register to read and can be a number between `MODBUS_CFG_FP_START_IX` and 65535 (depending on your product). It is up to you to decide what application variable is assigned to each holding register number. Note that if your product doesn't have any floating-point registers but a large number of holding registers, you can set `MODBUS_CFG_FP_START_IX` to 65535.

`perr` Is a pointer to a variable that will contain an error code based on the outcome of the call. Your code thus needs to return one of the following error codes:

`MODBUS_ERR_NONE` if the holding register number you specified is a valid holding register and you are able to have code access the value of this holding register.

`MODBUS_ERR_RANGE` if the holding register number passed as an argument is not a valid holding register number for your product.

Returned Value

`MB_HoldingRegRdFP()` returns the current value of the specified floating-point holding register as a 32-bit IEEE-754 unsigned value. If an invalid holding register number is specified, you should return `(CPU_FP32)0`.

Notes / Warnings

Code is enabled when both `MODBUS_CFG_FC03_EN` is set to `DEF_ENABLED` and `MODBUS_CFG_FP_EN` is set to `DEF_ENABLED` in your product's `mb_cfg.h` file.

Holding registers and input registers are completely different and can be assigned to different variables.

Called By:

`MBS_FC03_HoldingRegRd()` in `mbs_core.c`

Example

In this example, our product has 4 floating-point variables that we want to assign to holding registers. Your systems Engineer decided to assign Modbus holding register numbers `MODBUS_CFG_FP_START_IX+0`, `MODBUS_CFG_FP_START_IX+1`, `MODBUS_CFG_FP_START_IX+2` and `MODBUS_CFG_FP_START_IX+3` to the four floating-point values. You will notice that we disable interrupts to access the variables. This is done in case your CPU does not allow atomic access to the 32-bit floating-point values.

```
CPU_FP32 AppTempAir;
CPU_FP32 AppTempFuel;
CPU_FP32 AppPresAir;
CPU_FP32 AppPresFuel;

CPU_FP32 MB_HoldingRegRdFP (CPU_INT16U reg, CPU_INT16U *err)
{
    CPU_FP32 val;

    *perr = MODBUS_ERR_NONE;
    switch (reg) {
        case MODBUS_CFG_FP_START_IX + 0:
            CPU_CRITICAL_ENTER();
            val = AppTempAir;
            CPU_CRITICAL_EXIT();
            return (val);

        case MODBUS_CFG_FP_START_IX + 1:
            CPU_CRITICAL_ENTER();
            val = AppTempFuel;
            CPU_CRITICAL_EXIT();
            return (val);

        case MODBUS_CFG_FP_START_IX + 2:
            CPU_CRITICAL_ENTER();
            val = AppPresAir;
            CPU_CRITICAL_EXIT();
            return (val);

        case MODBUS_CFG_FP_START_IX + 3:
            CPU_CRITICAL_ENTER();
            val = AppPresFuel;
            CPU_CRITICAL_EXIT();
            return (val);

        default:
            *perr = MODBUS_ERR_RANGE;
            return ((CPU_FP32)0);
    }
}
```

5.08 µC/Modbus-S, MB_HoldingRegWr()

MB_HoldingRegWr() is called when a Modbus master sends a Function Code 6 and Function Code 16 command. MB_HoldingRegWr() writes a single holding register value. Integer holding registers are numbered from 0 through (MODBUS_CFG_FP_START_IX - 1). MODBUS_CFG_FP_START_IX allows you to specify the start of 'floating-point' (see section 5.09, MD_HoldingRegWrFP()). MB_HoldingRegWr() should only be called by **µC/Modbus**.

Prototype

```
void MB_HoldingRegWr (CPU_INT16U reg,  
                    CPU_INT16U reg_val,  
                    CPU_INT16U *perr)
```

Arguments

reg Is the desired holding register to read and can be a number between 0 and MODBUS_CFG_FP_START_IX-1 (depending on your product). It is up to you to decide what application variable is assigned to each holding register number. Note that if your product doesn't have any floating-point registers but a large number of holding registers, you can set MODBUS_CFG_FP_START_IX to 65535.

reg_val Is the desired value for the specified holding register and can be a number between 0 and 65535. Note that your product could have a signed 16-bit integer but this function will 'temporarily' treat it as an unsigned value. However, the assignment is performed correctly and your application variable will have the sign set correctly.

perr Is a pointer to a variable that will contain an error code based on the outcome of the call. Your code thus needs to return one of the following error codes:

MODBUS_ERR_NONE if the holding register number you specified is a valid holding register and you are able to have code access the value of this holding register.

MODBUS_ERR_RANGE if the holding register number passed as an argument is not a valid holding register number for your product.

Returned Value

None

Notes / Warnings

Code is enabled when either `MODBUS_CFG_FC06_EN` is set to `DEF_ENABLED` or `MODBUS_CFG_FC16_EN` is set to `DEF_ENABLED` in your product's `mb_cfg.h` file.

Called By:

`MBS_FC06_HoldingRegWr()` and `MBS_FC16_HoldingRegWr()` in `mbs_core.c`

Example

In this example, our product has 2 integer variables that we want to assign to holding registers. Your systems Engineer decided to assign Modbus holding register numbers 1004 and 1005 to the two integer values. You will notice that we disable interrupts to access the variables. This is done in case your CPU is an 8-bit CPU and data accesses to 16-bit values are not atomic.

```
CPU_INT16U  AppCtrl1;
CPU_INT16U  AppCtrl2;

void MB_HoldingRegWr (CPU_INT16U reg, CPU_INT16U reg_val, CPU_INT16U *err)
{
    *perr = MODBUS_ERR_NONE;
    switch (reg) {
        case 1004:
            CPU_CRITICAL_ENTER();
            AppCtrl1 = reg_val;
            CPU_CRITICAL_EXIT();
            Break;

        case 1005:
            CPU_CRITICAL_ENTER();
            AppCtrl = reg_val;
            CPU_CRITICAL_EXIT();
            break;

        default:
            *perr = MODBUS_ERR_RANGE;
            break;
    }
}
```

5.09 µC/Modbus-S, MB_HoldingRegWrFP()

MB_HoldingRegWrFP() is called when a Modbus master sends a Function Code 6 and Function Code 16 command. MB_HoldingRegWrFP() writes a single floating-point holding register value. Floating-point holding registers are numbered from MODBUS_CFG_FP_START_IX to 65535. In other words, MODBUS_CFG_FP_START_IX allows you to specify the start of 'floating-point' holding register addresses. MB_HoldingRegWrFP() should only be called by **µC/Modbus**.

Prototype

```
void MB_HoldingRegWrFP (CPU_INT16U  reg,  
                        CPU_FP32    reg_val,  
                        CPU_INT16U  *perr)
```

Arguments

reg Is the desired holding register to read and can be a number between MODBUS_CFG_FP_START_IX and 65535 (depending on your product). It is up to you to decide what application variable is assigned to each floating-point holding register number. Note that if your product doesn't have any floating-point registers but a large number of integer holding registers, you can set MODBUS_CFG_FP_START_IX to 65535.

reg_val Is the desired value for the specified holding register and can be any IEEE-754 floating point value.

perr Is a pointer to a variable that will contain an error code based on the outcome of the call. Your code thus needs to return one of the following error codes:

MODBUS_ERR_NONE if the floating-point holding register number you specified is a valid floating-point holding register and you are able to have code access the value of this floating-point holding register.

MODBUS_ERR_RANGE if the floating-point holding register number passed as an argument is not a valid floating-point holding register number for your product.

Returned Value

None

Notes / Warnings

Code is enabled when either `MODBUS_CFG_FC06_EN` is set to `DEF_ENABLED` or `MODBUS_CFG_FC16_EN` is set to `DEF_ENABLED` in your product's `mb_cfg.h` file.

Called By:

`MBS_FC06_HoldingRegWr()` and `MBS_FC16_HoldingRegWr()` in `mbs_core.c`

Example

In this example, our product has 2 floating-point integer variables that we want to assign to floating-point holding registers. Your systems Engineer decided to assign MODBUS floating-point holding register numbers `MODBUS_CFG_FP_START_IX+0` and `MODBUS_CFG_FP_START_IX+1` to the two floating-point variables. You will notice that we disable interrupts to access the variables. This is done in case your CPU does not perform floating-point data accesses atomically.

```
CPU_FP32 AppDiameter;          /* Modbus Holding Register # MODBUS_CFG_FP_START_IX + 0 */
CPU_FP32 AppCircumference;     /* Modbus Holding Register # MODBUS_CFG_FP_START_IX + 1 */
CPU_FP32 AppTempDegC;         /* Modbus Holding Register # MODBUS_CFG_FP_START_IX + 1 */
CPU_FP32 AppTempDegF;

void MB_HoldingRegWrFP (CPU_INT16U reg, CPU_FP32 reg_val, CPU_INT16U *perr)
{
    CPU_FP32 temp_val;

    *perr = MODBUS_ERR_NONE;
    switch (reg) {
        case MODBUS_CFG_FP_START_IX + 0:
            temp_val = reg_val * (CPU_FP32)3.141592654; /* Compute circumference */
            CPU_CRITICAL_ENTER();
            AppDiameter = reg_val;
            AppCircumference = temp_val;
            CPU_CRITICAL_EXIT();
            Break;

        case MODBUS_CFG_FP_START_IX + 1:
            temp_val = reg_val * (CPU_FP32)1.8 + (CPU_FP32)32.0; /* C -> F Conversion */
            CPU_CRITICAL_ENTER();
            AppTempDegC = reg_val;
            AppTempDegF = temp_val;
            CPU_CRITICAL_EXIT();
            break;

        default:
            *perr = MODBUS_ERR_RANGE;
            break;
    }
}
```

As shown in the example above, computations are performed when a value is changed.

5.10 µC/Modbus-S, MB_FileRd()

`MB_FileRd()` is called when a Modbus master sends a Function Code 20 command. `MB_FileRd()` reads a single integer value from a file. As mentioned in the Modbus specifications, a file is an organization of records. Each file can contain up to 10,000 records (addressed from 0 to 9999). You must 'map' the File/Record/ix to the actual application's corresponding data. `MB_FileRd()` should only be called by **µC/Modbus**.

Prototype

```
CPU_INT16U  MB_FileRd (CPU_INT16U  file_nbr,  
                      CPU_INT16U  record_nbr,  
                      CPU_INT16U  ix,  
                      CPU_INT08U  record_len,  
                      CPU_INT16U  *perr)
```

Arguments

<code>file_nbr</code>	Is the number of the desired file.
<code>record_nbr</code>	Is the desired record within the file, a number between 0 and 9999.
<code>ix</code>	Is the desired entry in the specified record.
<code>record_len</code>	Is the total length of the record.
<code>perr</code>	Is a pointer to a variable that will contain an error code based on the outcome of the call. Your code thus needs to return one of the following error codes: <code>MODBUS_ERR_NONE</code> the specified file/record/entry is valid and your code is returning its current value. <code>MODBUS_ERR_FILE</code> if the specified <code>file_nbr</code> is not a valid file number in your product. <code>MODBUS_ERR_RECORD</code> if the specified <code>record_nbr</code> is not a valid record number in the specified file. <code>MODBUS_ERR_IX</code> if the specified <code>ix</code> is not a valid index into the specified record.

Returned Value

MB_FileRd() returns the current value of the element in the file as an unsigned value. Of course, you can also return 'signed' values but those need to be cast to CPU_INT16U. You should note that the value will not be changed if you cast a signed variable to CPU_INT16U. The Modbus master will receive the proper value and it's up to the Modbus master to properly retrieve the signed data . If an error is detected, you should return 0.

Notes / Warnings

Code is enabled when MODBUS_CFG_FC20_EN is set to DEF_ENABLED in your product's mb_cfg.h file.

Called By:

MBS_FC20_FileRd() in mbs_core.c

Example

In this example, we have two 'files' that we implemented as an array of 16-bit integers.

```
#define APP_MAX_FILES 2
#define APP_FILE_MAX_RECORDS 10
#define APP_FILE_MAX_VALUES 100

CPU_INT16U AppFile[APP_MAX_FILES][APP_FILE_MAX_RECORDS][APP_FILE_MAX_VALUES];

CPU_INT16U MB_FileRd (CPU_INT16U file_nbr,
                     CPU_INT16U record_nbr,
                     CPU_INT16U ix,
                     CPU_INT08U record_len,
                     CPU_INT16U *perr)
{
    CPU_INT16U val;

    *perr = MODBUS_ERR_NONE;
    if (file_nbr >= APP_MAX_FILES) {
        *perr = MODBUS_ERR_FILE;
        return (0);
    }
    if (record_nbr >= APP_FILE_MAX_RECORDS) {
        *perr = MODBUS_ERR_RECORD;
        return (0);
    }
    if (ix >= APP_FILE_MAX_VALUES) {
        *perr = MODBUS_ERR_IX;
        return (0);
    }
    CPU_CRITICAL_ENTER();
    val = AppFile[file_nbr][record_nbr][ix];
    CPU_CRITICAL_EXIT();
    return (val);
}
```

5.11 µC/Modbus-S, MB_FileWr()

MB_FileWr() is called when a Modbus master sends a Function Code 21 command. MB_FileWr() writes a single integer value to a file. As mentioned in the Modbus specifications, a file is an organization of records. Each file can contain up to 10,000 records (addressed from 0 to 9999). You must 'map' the File/Record/Ix to the actual application's corresponding data. MB_FileWr() should only be called by **µC/Modbus**.

Prototype

```
void MB_FileWr (CPU_INT16U   file_nbr,  
                CPU_INT16U   record_nbr,  
                CPU_INT16U   ix,  
                CPU_INT08U   record_len,  
                CPU_INT16U   val,  
                CPU_INT16U   *perr)
```

Arguments

file_nbr	Is the number of the desired file.
record_nbr	Is the desired record within the file, a number between 0 and 9999.
ix	Is the desired entry in the specified record.
record_len	Is the total length of the record.
val	Is the value to write to the file/record.
perr	Is a pointer to a variable that will contain an error code based on the outcome of the call. Your code thus needs to return one of the following error codes:

MODBUS_ERR_NONE the specified file/record/entry is valid and your code is returning its current value.

MODBUS_ERR_FILE if the specified file_nbr is not a valid file number in your product.

MODBUS_ERR_RECORD if the specified record_nbr is not a valid record number in the specified file.

MODBUS_ERR_IX if the specified ix is not a valid index into the specified record.

Returned Value

None.

Notes / Warnings

Code is enabled when MODBUS_FC21_EN is set to DEF_ENABLED in your product's mb_cfg.h file.

Called By:

MBS_FC21_FileWr() in mbs_core.c

Example

In this example, we have two 'files' that we implemented as an array of 16-bit integers.

```
#define APP_MAX_FILES 2
#define APP_FILE_MAX_RECORDS 10
#define APP_FILE_MAX_VALUES 100

CPU_INT16U AppFile[APP_MAX_FILES][APP_FILE_MAX_RECORDS][APP_FILE_MAX_VALUES];

CPU_INT16U MB_FileWr (CPU_INT16U file_nbr,
                     CPU_INT16U record_nbr,
                     CPU_INT16U ix,
                     CPU_INT08U record_len,
                     CPU_INT16U val,
                     CPU_INT16U *perr)
{
    *perr = MODBUS_ERR_NONE;
    if (file_nbr >= APP_MAX_FILES) {
        *perr = MODBUS_ERR_FILE;
        return;
    }
    if (record_nbr >= APP_FILE_MAX_RECORDS) {
        *perr = MODBUS_ERR_RECORD;
        return;
    }
    if (ix >= APP_FILE_MAX_VALUES) {
        *perr = MODBUS_ERR_IX;
        return;
    }
    CPU_CRITICAL_ENTER();
    AppFile[file_nbr][record_nbr][ix] = val;
    CPU_CRITICAL_EXIT();
}
```

µC/Modbus

6.00 Board Support Package (BSP)

µC/Modbus can work with just about any UART. **You** need to provide a few simple interface functions to work with your hardware. These functions should be placed in a file called `mb_bsp.c`. Micrium provides examples of `mb_bsp.c` as part of the **µC/Modbus** release.

6.01 BSP, MB_CommExit()

This function is called by `MB_Exit()` to close all serial interfaces used by **µC/Modbus**. Your application **DOES NOT** need to call this function. The pseudo-code for this function is shown below:

```
void MB_CommExit (void)
{
    /* Disable all uC/Modbus Rx interrupts */
    /* Disable all uC/Modbus Tx interrupts */
    /* Remove interrupt vectors (if needed) */
}
```


6.02 BSP, MB_CommPortCfg()

This function is called by `MB_CfgCh()` to configure the UART communication settings for a channel. `MB_CommPortCfg()` must **NOT** be called by your application. The function prototype is shown below:

```
void MB_CommPortCfg (MODBUS_CH *pch,  
                    CPU_INT08U port_nbr,  
                    CPU_INT32U baud,  
                    CPU_INT08U bits,  
                    CPU_INT08U parity,  
                    CPU_INT08U stops);
```

`pch` is a pointer to the communication channel to configure. This pointer is returned to your application when you call `MB_CfgCh()`.

`port_nbr` is the 'physical' port number associated with the **µC/Modbus** communication channel. For example, **µC/Modbus** channel #0 could be associated with your 5th UART. In other words, **µC/Modbus** channels can be assigned to any 'physical' serial port in your system – there doesn't need to be a one-to-one correspondence.

`baud` is the desired baud rate for the channel. You should write code to support the standard baud rates: 9600, 19200, 38400, 76800, 115200 and 256000 baud.

`bits` is the number of bits used for the UART. It's typically 7 or 8. The most common is 8 bits.

`parity` is the type of parity checking scheme used for the serial port. The choices are: `MODBUS_PARITY_NONE`, `MODBUS_PARITY_ODD` and `MODBUS_PARITY_EVEN`. The most common is `MODBUS_PARITY_NONE`.

`stops` specifies the number of stop bits used. The choices are typically 1 or 2. 1 stop bit is the most common.

6.03 BSP, MB_CommRxTxISR_x_Handler()

Most UARTs allow you to generate an interrupt when either a byte is received or when a byte has been sent. If your UART generates an interrupt when either a byte is received or when one has been sent then, you would need to write a function that determines whether the interrupt was caused by a received by or by a byte sent. In this case, you would write a function called `MBS_CommRxTxISR_x_Handler()` where the 'x' indicates the physical UART (example 1, 2, 3 ...). The pseudo-code for this function is shown below. The code in RED is code that you have to write. You should COPY all the other code as is.

```
void MB_CommRxTxISR_x_Handler (void)
{
    CPU_INT08U    c;
    CPU_INT08U    ch;
    MODBUS_CH     *pch;

    pch = &MB_ChTbl[0];
    for (ch = 0; ch < MODBUS_MAX_CH; ch++) {
        if (pch->PortNbr == port_nbr) {
            if (Rx Interrupt) {
                c = Read byte from UART;
                Clear Rx Interrupt;
                pch->RxCtr++;
                MB_RxByte(pch, c);    // Pass byte to Modbus to process
            }
            if (Tx Interrupt) {
                pch->TxCtr++;
                MB_TxByte(pch);    // Send next byte in response
                Clear Tx Interrupt;
            }
            break;
        } else {
            pch++;
        }
    }
    Clear spurious interrupts;
}
```

6.04 BSP, MB_CommRxIntEn()

This function is called by **µC/Modbus** to enable Rx interrupts from a UART.

```
void MB_CommRxIntEn(MODBUS_CH *pch)
{
    switch (pch->PortNbr) {
        /* Enable Rx interrupts for specified UART */
    }
}
```

6.05 BSP, MB_CommRxIntDis()

This function is called by **µC/Modbus** to disable Rx interrupts from a UART.

```
void MB_CommRxIntDis(MODBUS_CH *pch)
{
    switch (pch->PortNbr) {
        /* Disable Rx interrupts for specified UART */
    }
}
```

6.06 BSP, MB_CommTx1()

This function is called by **µC/Modbus** to send a SINGLE byte to the UART associated with the **µC/Modbus** channel.

```
void MB_CommTx1 (MODBUS_CH *pch,
                 CPU_INT08U c)
{
    switch (pch->PortNbr) {
        /* Write byte 'c' to specified UART */
    }
}
```

μC/Modbus

6.07 BSP, MB_CommTxIntEn()

This function is called by **μC/Modbus** to enable Tx interrupts from a UART.

```
void MB_CommTxIntEn(MODBUS_CH *pch)
{
    switch (pch->PortNbr) {
        /* Enable Tx interrupts from specified UART */
    }
}
```

6.08 BSP, MB_CommTxIntDis()

This function is called by **μC/Modbus** to disable Tx interrupts from a UART.

```
void MB_CommTxIntDis(MODBUS_CH *pch)
{
    switch (pch->PortNbr) {
        /* Disable Tx interrupts from specified UART */
    }
}
```

6.09 BSP, MB_RTU_TmrInit()

This function is called by `MB_Init()` to initialize the RTU timer. `freq` specifies the frequency used for the RTU timer interrupts.

```
void MB_RTU_TmrInit(CPU_INT32U freq);
```

6.10 BSP, MB_RTU_TmrExit()

This function is called by `MB_Exit()` to stop RTU timer interrupts.

```
void MB_RTU_TmrExit(void);
```

6.11 BSP, MB_RTU_TmrISR_Handler()

This function is the ISR handler for RTU timer interrupts. The pseudo-code for this function is shown below:

```
void MB_RTU_TmrISR_Handler (void)
{
    Clear the RTU timer interrupt source;
    MB_RTU_TmrCtr++;    // Indicate that we had activities on this interrupt
    MB_RTU_TmrUpdate(); // Check for RTU timers that have expired
}
```

µC/Modbus

7.00 RTOS Interface

µC/Modbus-S might use an RTOS interface, **µC/Modbus-M** assumes the presence of an RTOS but, it doesn't assume any specific RTOS. In fact, **µC/Modbus** was designed to work with just about commercial RTOS by providing a simple RTOS interface layer.

µC/Modbus is provided with a **µC/Modbus** RTOS interface layer so you can start using **µC/Modbus** if you are also using **µC/OS-II** or **µC/OS-III** in your product or, use this interface layer as an example for your own RTOS.

Figure 7-1 shows a flow diagram of receive model.

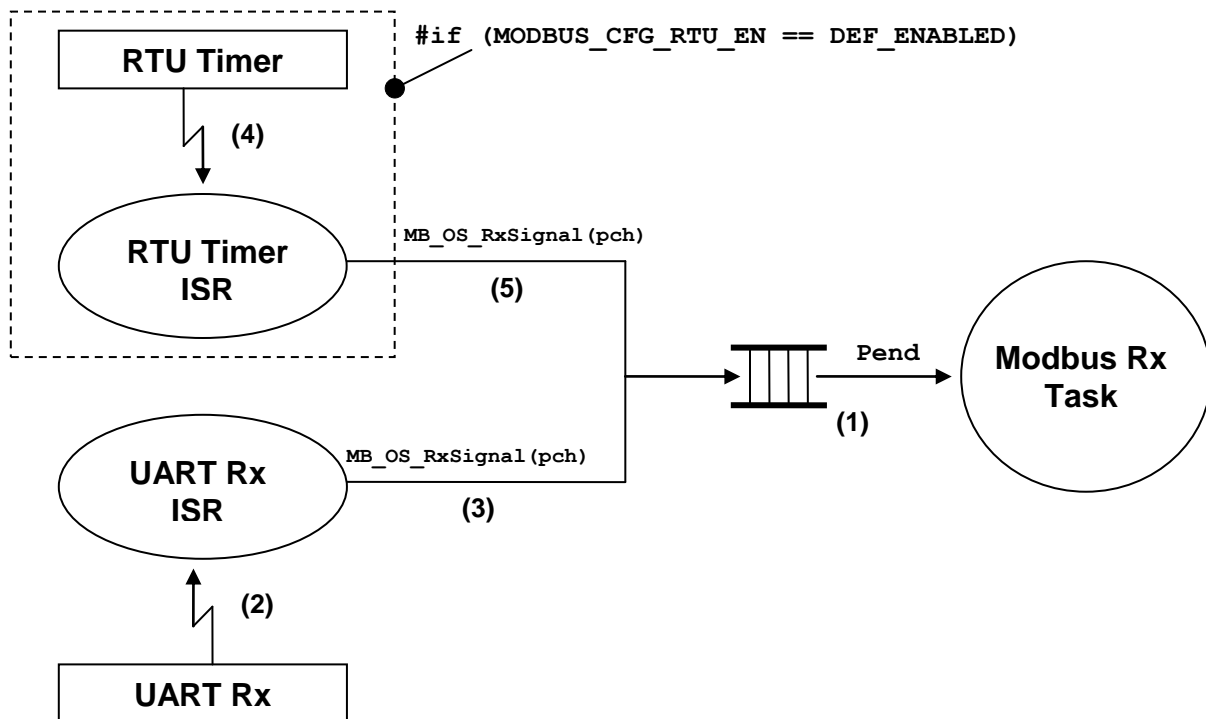


Figure 7-1, µC/Modbus Rx Tasking Model.

- F7-1(1) **µC/Modbus** uses a single task to receive packets from any channel. The 'Modbus Rx Task' simply waits for a Modbus packet from any channel. Assuming **µC/OS-II** as the RTOS, a message queue is used for this purpose. For **µC/OS-III**, the message queue is built into the task. When a packet is received, a pointer to the channel that received the packet is posted to the message queue indicating to the 'Modbus Rx Task' which channel received the packet. The 'Modbus Rx Task' then simply parses the packet and formulates a response that will be forwarded appropriately.
- F7-1(2) We assume that byte reception from a UART is interrupt driven. Received bytes are placed in a receive buffer until a complete packet is received. If the channel is configured for Modbus ASCII, an end of packet is signaled by a line feed character (i.e. 0x0A). If the channel is configured for Modbus RTU then the end of a packet is signaled by not receiving bytes for at least the time it takes to send 3.5 bytes (see Modbus RTU specification).
- F7-1(3) Assuming Modbus ASCII, the end of a packet is signaled by calling `MB_OS_RxSignal()` and specifying a pointer to the channel on which a packet was received.
- F7-1(4) If your product needs to support the Modbus RTU mode, you will need to provide a timer that interrupts the CPU in order to keep track of end of packets. Basically, when bytes are received on a channel, an RTU counter for that channel is reset to a value based on the baud rate of the channel (see table 7-1).

Table 7-1, RTU Timeouts based on channel Baud Rate.

Baud Rate	RTU Timeout (Time for 3.5 Bytes)	RTU Timeout (Counts at 1 KHz)
9,600	3646 µS	5
19,200	1823 µS	3
38,400	911 µS	2
76,800	456 µS	2
115,200	304 µS	2
256,000	137 µS	2

For example, if a channel is configured for 19,200 Baud then, an end of packet (in RTU mode) is assumed to occur when no bytes are received after 1800 µS (microseconds). If your RTU timer is setup to interrupt every millisecond then you would need roughly two such interrupts before you conclude that a packet was received. We decided to assume that a packet is received after at least the time it would take to receive 5.0 bytes instead of 3.5 bytes. Also, because of the asynchronous feature of the

μC/Modbus

timer with respect to received bytes, we decided to count at least TWO RTU interrupts to conclude that a packet was received.

You can have better granularity for the timeout if you increase the RTU timer interrupt rate. However, this also increases the amount of overhead you are placing on your CPU.

F7-1(5) When the RTU timer interrupt occurs, the timeout counter for each of the channels that are configured for RTU mode are decremented. When a counter reaches 0, a signal is set to the 'Modbus Rx Task' for that channel. This tells the 'Modbus Rx Task' that a packet was received on that channel and needs to be processed. The signal is also performed by calling `MB_OS_RxSignal()`.

In order to provide the RTOS functionality described above, you need to define three functions in a file called `MB_OS.C`:

```
MB_OS_Init()  
MB_OS_Exit()  
MB_OS_RxSignal()  
MB_OS_RxWait()
```


7.01 RTOS Interface, MB_OS_Init()

This function is called by **μC/Modbus** to initialize the RTOS interface for the RTOS you are using. You would typically create the 'Modbus Rx Task' and setup the mechanism needed to signal this task when a packet is received or an RTU timeout occurred for the channel.

Prototype

```
void MB_OS_Init(void);
```

Arguments

None.

Returned Value

None.

Notes / Warnings

None.

Called By:

MB_Init() in mb.c

Example

μC/Modbus

7.02 RTOS Interface, MB_OS_Exit()

This function is called by `MB_Exit()` (see `mb.c`) to gracefully terminate the Modbus task. In the case of **μC/OS-II**, we would simply delete the ‘Modbus Rx Task’ and the message queue. In the case of **μC/OS-III**, we would simply delete the ‘Modbus Rx Task’ since the message queue is built into the task.

Prototype

```
void MB_OS_Exit(void);
```

Arguments

None.

Returned Value

None.

Notes / Warnings

None.

Called By:

`MB_Exit()` in `mb.c`

Example

7.03 RTOS Interface, MB_OS_RxSignal()

This function signals the reception of a complete packet. It is called by either the RTU timer interrupt for each channel that has not received characters within the timeout period or, by Modbus ASCII channels when a line feed character (i.e. 0x0A) is received.

Prototype

```
void MB_OS_RxSignal(MODBUS_CH *pch);
```

Arguments

`pch` specifies a pointer to the Modbus channel data structure associated with the received packet.

Returned Value

None.

Notes / Warnings

None.

Called By:

`MB_RTU_TmrUpdate()` or `MB_ASCII_RxByte()` in `mb.c`

Example

7.04 RTOS Interface, MB_OS_RxWait()

This function waits for a response from a slave. `MB_OS_RxWait()` is called from a Modbus master task after it sent a command to a slave and is waiting for a response. If the response is not received within the timeout specified when the channel was configured (see `MB_CfgCh()`) then this function returns to the caller and notifies it of the timeout.

Prototype

```
void MB_OS_RxWait(MODBUS_CH *pch, CPU_INT16U *perr);
```

Arguments

`pch` specifies a pointer to the Modbus channel data structure associated with the received packet.

`perr` is a pointer to an error code indicating the outcome of the call and can be one of the following errors:

`MODBUS_ERR_NONE`
the call was successful

`MODBUS_ERR_TIMED_OUT`
A response was not received within the specified timeout.

`MODBUS_ERR_NOT_MASTER`
You called this function from a non-master channel

`MODBUS_ERR_INVALID`
An invalid error occurred. Refer to `MB_OS.C` for details.

Notes / Warnings

None.

Called By:

`MBM_FC??_???` () in `MBM_CORE.C`

Example

7.05 RTOS Interface, Configuration

If you use **µC/OS-II**, you need to configure the following `#define` constants:

<code>OS_Q_EN</code>	The size needs to be as large as the number of Modbus channels.
<code>OS_SEM_EN</code>	If you use Modbus Master, you need to enable semaphore services.
<code>MB_OS_CFG_RX_TASK_ID</code>	
<code>MB_OS_CFG_RX_TASK_PRIO</code>	
<code>MB_OS_CFG_RX_TASK_STK_SIZE</code>	

If you use **µC/OS-III**, you need to configure the following `#define` constants:

<code>OS_CFG_Q_EN</code>	The size of the message queue will be set to the number of channels (i.e. <code>MODBUS_CFG_MAX_CH</code>) in <code>mb_os.c</code> .
<code>OS_CFG_SEM_EN</code>	If you use Modbus Master, you need to enable semaphore services.
<code>MB_OS_CFG_RX_TASK_PRIO</code>	
<code>MB_OS_CFG_RX_TASK_STK_SIZE</code>	

These constants need to be defines in you application.

8.00 No-OS Interface

µC/Modbus-S can be configured to work in a single threaded environment (no RTOS needed).

The No-OS port uses the same RTOS interface layer provided by µC/Modbus. This layer is explained in Section 7.00.

Figure 8-1 shows a flow diagram of receive model in a environment that doesn't use an RTOS.

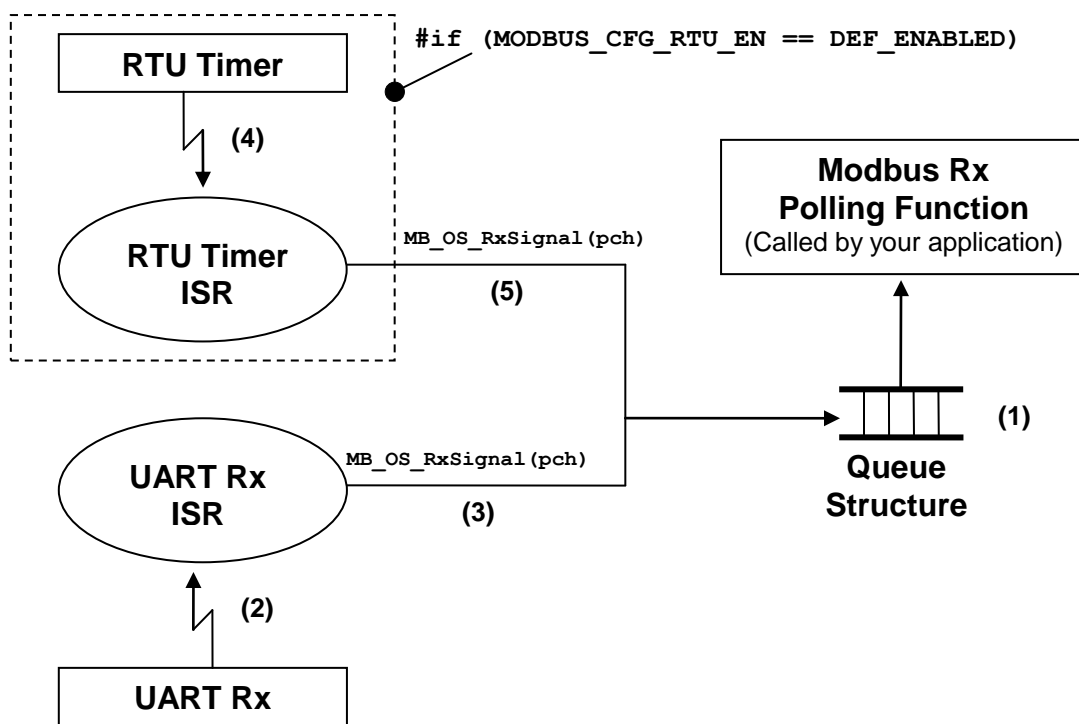


Figure 8-1, µC/Modbus Rx Polling Model.

F8-1(1) **µC/Modbus** uses a queue structure indicating the channel that has received a packet. Your application must call `MB_OS_RxTask()` to poll the status of the queue, if the queue contains at least one element then this function will call `MB_RxTask()` which simply parses the packet and formulates a response that will be forwarded appropriately. The frequency at which the polling function is called is defined by your application.

- F8-1(2) We assume that byte reception from a UART is interrupt driven. Received bytes are placed in a receive buffer until a complete packet is received. If the channel is configured for Modbus ASCII, an end of packet is signaled by a line feed character (i.e. 0x0A). If the channel is configured for Modbus RTU then the end of a packet is signaled by not receiving bytes for at least the time it takes to send 3.5 bytes (see Modbus RTU specification).

- F8-1(3) Assuming Modbus ASCII, the end of a packet is signaled by calling `MB_OS_RxSignal()` and specifying a pointer to the channel on which a packet was received.

- F8-1(4) If your product needs to support the Modbus RTU mode, you will need to provide a timer that interrupts the CPU in order to keep track of end of packets. Basically, when bytes are received on a channel, an RTU counter for that channel is reset to a value based on the baud rate of the channel (see table 7-1).

Table 7-1, RTU Timeouts based on channel Baud Rate.

Baud Rate	RTU Timeout (Time for 3.5 Bytes)	RTU Timeout (Counts at 1 KHz)
9,600	3646 µS	5
19,200	1823 µS	3
38,400	911 µS	2
76,800	456 µS	2
115,200	304 µS	2
256,000	137 µS	2

For example, if a channel is configured for 19,200 Baud then, an end of packet (in RTU mode) is assumed to occur when no bytes are received after 1800 µS (microseconds). If your RTU timer is setup to interrupt every millisecond then you would need roughly two such interrupts before you conclude that a packet was received. We decided to assume that a packet is received after at least the time it would take to receive 5.0 bytes instead of 3.5 bytes. Also, because of the asynchronous feature of the timer with respect to received bytes, we decided to count at least TWO RTU interrupts to conclude that a packet was received.

You can have better granularity for the timeout if you increase the RTU timer interrupt rate. However, this also increases the amount of overhead you are placing on your CPU.

μC/Modbus

F8-1(5) When the RTU timer interrupt occurs, the timeout counter for each of the channels that are configured for RTU mode are decremented. When a counter reaches 0, a signal is set to the 'Modbus Rx Task' for that channel. This tells the 'Modbus Rx Task' that a packet was received on that channel and needs to be processed. The signal is also performed by calling `MB_OS_RxSignal()`.

9.00 µC/Modbus Program Flow

This section describes the path taken by messages received and replied to by a Modbus channel. Each channel contains 4 buffers as shown in figure 9-1 along with variables used to manage these buffers.

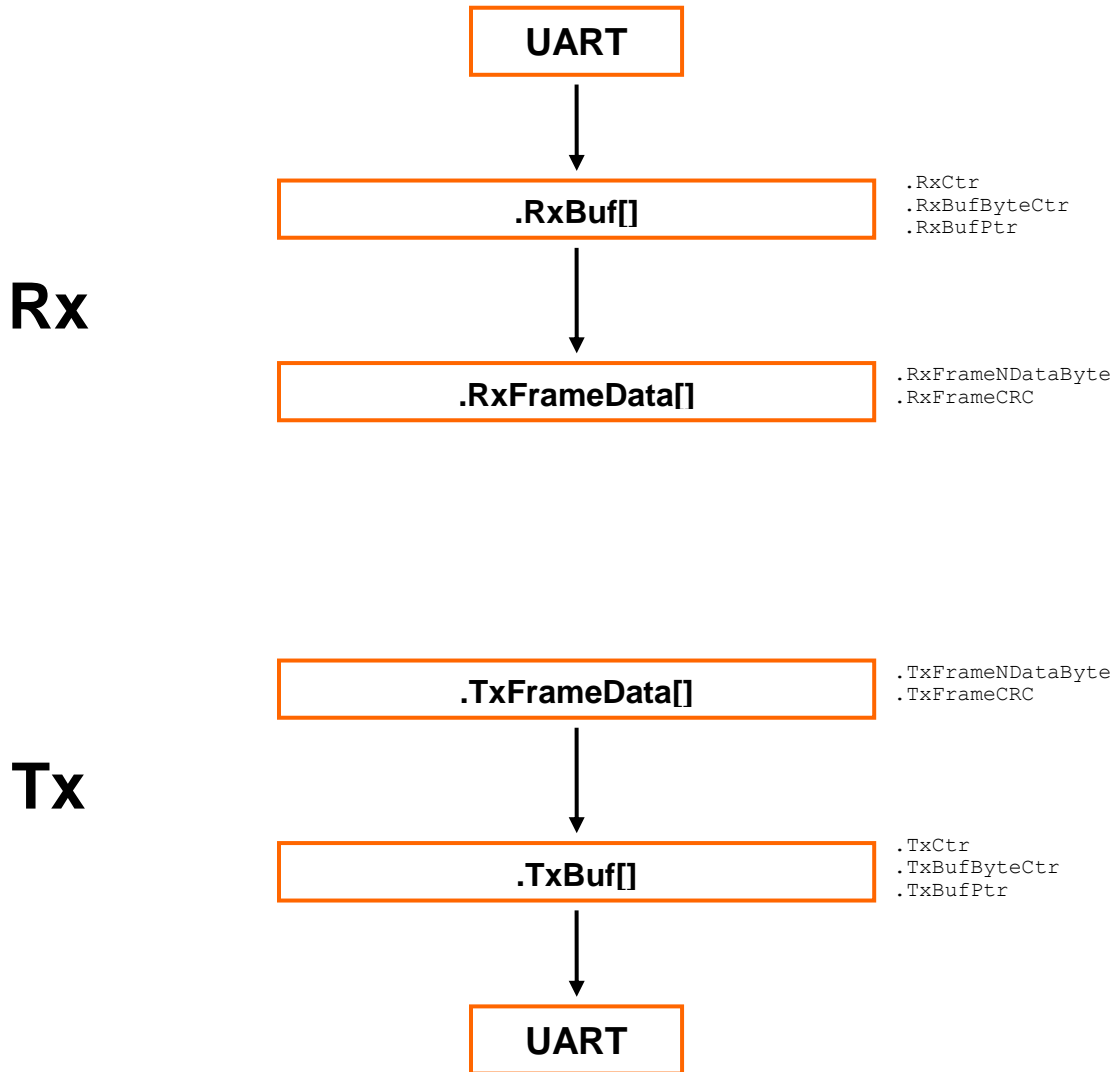


Figure 8-1, µC/Modbus Buffer Management

9.01 µC/Modbus-S, ASCII Rx and Tx

It might be useful to follow the code for the description provided below.

MB_CommRxTxISR_Handler() – mb_bsp.c

Characters received on a UART are processed by the `MB_CommRxTxISR_Handler()` unless the UART has a separate interrupt for Rx and Tx. In this case, the function would be called `MB_CommRxISR_Handler()`. The received character is extracted from the UART and passed to the `MB_RxByte()` function for processing.

MB_RxByte() – mb.c

`MB_RxByte()` determines whether the character received needs to be passed to the ASCII or RTU handler. If ASCII, the character is passed to `MB_ASCII_RxByte()`.

MB_ASCII_RxByte() – mb.c

`MB_ASCII_RxByte()` places received characters in `.RxBuf[]`. If the received character is a 'colon' character (i.e. ':'), we reset the pointer to the beginning of the `.RxBuf[]` because this signals a new message from a Modbus master. We signal the Rx Task if the character received is a 'line feed' (i.e. `0x0A`) and the message received is destined for the matching node address of the channel. Signaling of the task is done by calling `MB_OS_RxSignal()` (`mb_os.c`).

MB_OS_RxTask() – mb_os.c

All Modbus communications is handled by a single Rx Task called `MB_OS_RxTask()`. The task waits for a message to be sent to it by `MB_ASCII_RxByte()`. The message is actually a pointer to the Modbus channel where the message was received from. `MB_OS_RxTask()` calls `MB_RxTask()` (`mb.c`) which in turn calls `MBS_RxTask()` (`mbs_core.c`). `MBS_RxTask()` determines whether the message was an ASCII or RTU message and calls `MBS_ASCII_Task()` (`mbs_core.c`) or `MBS_RTU_Task()` (`mbs_core.c`), respectively to do the actual processing of the message received.

MBS_ASCII_Task() – mbs_core.c

At this point, we received a message from a Modbus master which was directed to the node address of the channel. However, we don't know yet whether the message is valid. `MBS_ASCII_Task()` calls `MB_ASCII_Rx()` (`mb.c`) which converts the ASCII frame to a binary format. The converted message is placed in `.RxFrameData[]`.

`MBS_ASCII_Task()` then calls `MB_ASCII_RxCalcLRC()` to determine whether the received LRC which is part of the message matches the calculated LRC of the message. Note that the LRC is computed by summing up ALL the ASCII characters in the received message except the colon, LRC and CR/LF and then doing a twos complement. In other words, the LRC consist only of the node address, function code and data sent by the Modbus master.

If we have a valid message, we then call `MBS_FCxx_Handler()` to parse the received message and formulate a response back to the master.

The response is sent to the master by calling `MB_ASCII_Tx()`.

MBS_FCxx_Handler() – mbs_core.c

This function determines what the master wants by looking at the 'Function Code' in the received message. The appropriate Modbus function code handler is called accordingly: `MBS_FC??_???`. The response is placed in the `.TxFrameData[]` buffer in binary format.

MB_ASCII_Tx() – mb.c

This function is called when we need to send a response back to a Modbus master. `MB_ASCII_Tx()` simply converts the response which was placed in `.TxFrameData[]` and converts it to ASCII. The converted data is placed in the `.TxBuf[]`.

The LRC of the outgoing frame is calculated by calling `MB_ASCII_TxCalcLRC()`. Note that the LRC is computed by summing up ALL the ASCII characters to be transmitted except the colon, LRC and CR/LF and then doing a twos complement. In other words, the LRC consist only of the node address, function code and data sent to the Modbus master.

`MB_ASCII_Tx()` then calls `MB_Tx()` to setup transmission.

MB_Tx() – mb.c

This function is called to send a message to a Modbus master. Here, we simply point the `.TxBufPtr` at the beginning of the `.TxBuf[]` and transmit the first byte by calling `MB_TxByte()` (`mb.c`) in order to 'kick start' transmission interrupts. Note that in a lot of cases, transmission interrupts occur ONLY after a character has been transmitted.

MB_TxByte() – mb.c

`MB_TxByte()` in turn calls `MB_CommTx1()` (`mb_bsp.c`) which sends a byte to the UART and enables Tx interrupts.

9.02 µC/Modbus-S, RTU Rx and Tx

It might be useful to follow the code for the description provided below.

MB_CommRxTxISR_Handler() – mb_bsp.c

Bytes received on a UART are processed by the `MB_CommRxTxISR_Handler()` unless the UART has a separate interrupt for Rx and Tx. In this case, the function would be called `MB_CommRxISR_Handler()`. The received byte is extracted from the UART and passed to the `MB_RxByte()` function for processing.

MB_RxByte() – mb.c

`MB_RxByte()` determines whether the byte received needs to be passed to the ASCII or RTU handler. If RTU, the byte is passed to `MB_RTU_RxByte()`.

MB_RTU_RxByte() – mb.c

`MB_RTU_RxByte()` places received bytes in `.RxBuf[]`. Because in RTU, frames are delimited by time, `MB_RTU_RxByte()` resets the RTU timer for the channel indicating that we didn't receive an end of frame yet. The received byte is simply placed in the receive buffer, `.RxBuf[]`. Signaling of a complete frame is done by timing out on the RTU timer for that channel (See `MB_RTU_TmrUpdate()` in `mb.c`).

MB_OS_RxTask() – mb_os.c

All Modbus communications is handled by a single Rx Task called `MB_OS_RxTask()`. The task waits for a message from the RTU timer handler that indicates that a complete frame has been received. The message is actually a pointer to the Modbus channel where the message was received from. `MB_OS_RxTask()` calls `MB_RxTask()` (`mb.c`) which in turn calls `MBS_RxTask()` (`mbs_core.c`). `MBS_RxTask()` determines whether the message was an ASCII or RTU message and calls `MBS_ASCII_Task()` (`mbs_core.c`) or `MBS_RTU_Task()` (`MBS_CORE.C`), respectively to do the actual processing of the message received.

MBS_RTU_Task() – mbs_core.c

At this point, we received a message from a Modbus master which was directed to the node address of the channel. However, we don't know yet whether the message is valid. `MBS_RTU_Task()` calls `MB_RTU_Rx()` (`mb.c`) which copies the frame received from the `.RxBuf[]` to the `.RxFrameData[]` buffer.

`MBS_RTU_Task()` then calls `MB_RTU_RxCalcCRC()` to determine whether the received CRC which is part of the message matches the calculated CRC of the message. Note that the CRC is computed for ALL the bytes received except for the CRC portion itself. In other words, the CRC consist only of the node address, function code and data sent by the Modbus master.

If we have a valid message, we then call `MBS_FCxx_Handler()` (`mbs_core.c`) to parse the received message and formulate a response back to the master.

The response is sent to the master by calling `MB_RTU_Tx()`.

MBS_FCxx_Handler() – mbs_core.c

This function determines what the master wants by looking at the 'Function Code' in the received message. The appropriate Modbus function code handler is called accordingly: `MBS_FC??_???`. The response is placed in the `.TxFrameData[]` buffer in binary format.

MB_RTU_Tx() – mb.c

This function is called when we need to send a response back to a Modbus master. MB_RTU_Tx() simply copies the response which was placed in .TxFrameData[] into the .TxBuf[].

The CRC of the outgoing frame is calculated by calling MB_RTU_TxCalcCRC(). Note that the CRC is computed on ALL the bytes to be transmitted except the CRC itself. In other words, the CRC consist only of the node address, function code and data sent to the Modbus master.

MB_RTU_Tx() then calls MB_Tx() to setup transmission.

MB_Tx()

This function is called to send a message to a Modbus master. Here, we simply point the .TxBufPtr at the beginning of the .TxBuf[] and transmit the first byte by calling MB_TxByte() (mb.c) in order to 'kick start' transmission interrupts. Note that in a lot of cases, transmission interrupts occur ONLY after a character has been transmitted.

MB_TxByte()

MB_TxByte() in turn calls MB_CommTx1() which sends a byte to the UART and enables Tx interrupts.

9.03 µC/Modbus-M, ASCII Rx and Tx

It might be useful to follow the code for the description provided below.

MBM_FC??_????() – mbm_core.c

Your Modbus master application calls one of the `MBM_FC??_????()` functions (see section 3) to send a command to a slave. This function creates a command frame to send to the Modbus slave which is sent by calling `MBM_TxCmd()`.

MBM_TxCmd() – mbm_core.c

This function determines whether the Master channel is configured for Modbus ASCII or RTU and calls `MB_ASCII_Tx()` or `MB_RTU_Tx()` accordingly.

MB_ASCII_Tx() – mb.c

In ASCII mode, this function is called to send the command to a Modbus slave. `MB_ASCII_Tx()` simply converts the command which was placed in `.TxFrameData[]` and converts it to ASCII. The converted data is placed in the `.TxBuf[]`.

The LRC of the outgoing frame is calculated by calling `MB_ASCII_TxCalcLRC()`. Note that the LRC is computed by summing up ALL the ASCII characters to be transmitted except the colon, LRC and CR/LF and then doing a twos complement. In other words, the LRC consist only of the node address, function code and data sent to the Modbus slave.

`MB_ASCII_Tx()` then calls `MB_Tx()` to setup transmission.

MB_Tx() – mb.c

This function is called to send a message to a Modbus slave. Here, we simply point the `.TxBufPtr` at the beginning of the `.TxBuf[]` and transmit the first byte by calling `MB_TxByte()` (`mb.c`) in order to 'kick start' transmission interrupts. Note that in a lot of cases, transmission interrupts occur ONLY after a character has been transmitted.

MB_TxByte() – mb.c

`MB_TxByte()` in turn calls `MB_CommTx1()` (`MB_BSP.C`) which sends a byte to the UART and enables Tx interrupts.

MB_OS_Wait() – mb_os.c

When the command is sent, `MBM_FC??_????()` calls `MB_OS_Wait()` to wait for a response from the slave but with a timeout. If the response is not received within the specified timeout (see `MB_CfgCh()`) then we flush the Rx buffer. If a response is received, we call `MBM_RxReply()` to parse the response.

MB_CommRxTxISR_Handler() – mb_bsp.c

Characters received on a UART are processed by the `MB_CommRxTxISR_Handler()` unless the UART has a separate interrupt for Rx and Tx. In this case, the function would be called `MB_CommRxISR_Handler()`. The received character is extracted from the UART and passed to the `MB_RxByte()` function for processing.

MB_RxByte() – mb.c

`MB_RxByte()` determines whether the character received needs to be passed to the ASCII or RTU handler. If ASCII, the character is passed to `MB_ASCII_RxByte()`.

MB_ASCII_RxByte() – mb.c

MB_ASCII_RxByte() places received characters in .RxBuf[]. If the received character is a 'colon' character (i.e. ':'), we reset the pointer to the beginning of the .RxBuf[] because this signals a new message from a Modbus master. We call MB_OS_RxSignal() (mb_os.c) if the character received is a 'line feed' (i.e. 0x0A) to indicate that the response was received. This wakes up the task that sent the command to the slave and thus, the MBM_FC??_???() function is resumed (right after the MB_OS_RxWait() call).

MBM_RxReply() – mbm_core.c

MBM_RxReply() determines whether the channel is set for ASCII or RTU and calls MB_ASCII_Rx() or MB_RTU_Rx() to receive the packet.

MB_ASCII_Rx() – mb.c

MB_ASCII_Rx() determines if the packet received contains the proper format and checksum. If we received a valid packet, MB_ASCII_Rx() returns to MBM_RxReply() which in turns returns to the MBM_FC??_???() function.

MBM_FC??_???() – mbm_core.c

MBM_FC??_???() then parses the response and returns the requested information to its caller.

9.04 µC/Modbus-M, RTU Rx and Tx

It might be useful to follow the code for the description provided below.

MBM_FC??_????() – mbm_core.c

Your Modbus master application calls one of the `MBM_FC??_????()` functions (see section 3) to send a command to a slave. This function creates a command frame to send to the Modbus slave which is sent by calling `MBM_TxCmd()`.

MBM_TxCmd() – mbm_core.c

This function determines whether the Master channel is configured for Modbus ASCII or RTU and calls `MB_ASCII_Tx()` or `MB_RTU_Tx()` accordingly.

MB_RTU_Tx() – mb.c

This function is called when we need to send a command to a Modbus slave. `MB_RTU_Tx()` simply copies the command which was placed in `.TxFrameData[]` into the `.TxBuf[]`.

The CRC of the outgoing frame is calculated by calling `MB_RTU_TxCalcCRC()`. Note that the CRC is computed on ALL the bytes to be transmitted except the CRC itself. In other words, the CRC consist only of the node address, function code and data sent to the Modbus slave.

`MB_RTU_Tx()` then calls `MB_Tx()` to setup transmission.

MB_Tx()

This function is called to send a message to a Modbus slave. Here, we simply point the `.TxBufPtr` at the beginning of the `.TxBuf[]` and transmit the first byte by calling `MB_TxByte()` (`mb.c`) in order to 'kick start' transmission interrupts. Note that in a lot of cases, transmission interrupts occur ONLY after a character has been transmitted.

MB_TxByte()

`MB_TxByte()` in turn calls `MB_CommTx1()` which sends a byte to the UART and enables Tx interrupts.

MB_OS_Wait() – mb_os.c

When the command is sent, `MBM_FC??_????()` calls `MB_OS_Wait()` to wait for a response from the slave but with a timeout. If the response is not received within the specified timeout (see `MB_CfgCh()`) then we flush the Rx buffer. If a response is received, we call `MBM_RxReply()` to parse the response.

MB_CommRxTxISR_Handler() – mb_bsp.c

Characters received on a UART are processed by the `MB_CommRxTxISR_Handler()` unless the UART has a separate interrupt for Rx and Tx. In this case, the function would be called `MB_CommRxISR_Handler()`. The received character is extracted from the UART and passed to the `MB_RxByte()` function for processing.

MB_RxByte() – mb.c

`MB_RxByte()` determines whether the character received needs to be passed to the ASCII or RTU handler. If RTU, the character is passed to `MB_RTU_RxByte()`.

MB_RTU_RxByte() – mb.c

MB_RTU_RxByte() places received bytes in .RxBuf[]. Because in RTU, frames are delimited by time, MB_RTU_RxByte() resets the RTU timer for the channel indicating that we didn't receive an end of frame yet. The received byte is simply placed in the receive buffer, .RxBuf[]. Signaling of a complete frame is done by timing out on the RTU timer for that channel (See MB_RTU_TmrUpdate() in mb.c).

MBM_RxReply() – mbm_core.c

MBM_RxReply() determines whether the channel is set for ASCII or RTU and calls MB_ASCII_Rx() or MB_RTU_Rx() to receive the packet.

MB_RTU_Rx() – mb.c

MB_RTU_Rx() determines if the packet received contains the proper format and checksum. If we received a valid packet, MB_RTU_Rx() returns to MBM_RxReply() which in turns returns to the MBM_FC??_???() function.

MBM_FC??_???() – mbm_core.c

MBM_FC??_???() then parses the response and returns the requested information to its caller.

10.00 Acronyms, Abbreviations and Mnemonics

µC/Modbus includes a number of acronyms, abbreviations and mnemonics and some are listed in Table 10-1.

This ...	Means ...
An	Analog
App	Application
Buf	Buffer
Cfg	Configuration
Ch	Channel
Comm	Communication
Ctr	Counter
DI	Discrete Input
Dis	Disable
DO	Discrete Output
En	Enable
Err	Error
FC	Function Code
FP	Floating Point
Id	Identifier
In	Input
Init	Initialization
ISR	Interrupt Service Routine
Ix	Index
MB	Modbus
MBM	Modbus Master
MBS	Modbus Slave
Nbr	Number
OS	Operating System
Out	Output
Pkt	Packet
Prio	Priority

Rd	Read
Reg	Register
RTU	Remote Terminal Unit
Rx	Receive
Stk	Stack
Tmr	Timer
Tx	Transmit
Val	Value
Wr	Write

μC/Modbus

Licensing

μC/Modbus is licensed on a per end-product basis. Specifically, each different product that embeds **μC/Modbus** in a commercial product requires a different license. A license allows you to manufacture an unlimited number of units of the product that embeds **μC/Modbus** for the life of that product. In other words, a **μC/Modbus** license is royalty free. Contact Micrium for pricing information.

References

μC/OS-II, The Real-Time Kernel, 2nd Edition

Jean J. Labrosse
Elsevier, 2002
ISBN 978-1578201037

μC/OS-III, The Real-Time Kernel

Jean J. Labrosse
MicriumPress, 2009
ISBN 978-0-9823375-3-0

Modicon Modbus Protocol Reference Guide

PI-MBUS-300 Rev. J
http://www.modicon.com/TECHPUBS/TECHPUBNEW/PI_MBUS_300.pdf

Contacts

Micrium

949 Crestview Circle
Weston, FL 33327
USA
+1 954 217 2036
+1 954 217 2037 (FAX)
e-mail: uC-Modbus@Micrium.com
WEB: www.Micrium.com

MODICON, Inc.

Industrial Automation Systems
One High Street
North Andover, Massachusetts 01845
USA

Mouser Electronics

Authorized Distributor

Click to View Pricing, Inventory, Delivery & Lifecycle Information:

[Micrium:](#)

[MBX-MBMX-SERIAL-P-P1-SNGL](#) [MBX-MBMX-SERIAL-P-P1-PDLN](#) [MBX-MBMX-SERIAL-P-P1-PTFM](#) [MBX-MBSX-SERIAL-P-P1-SNGL](#) [MBX-MBSX-SERIAL-P-P1-PDLN](#) [MBX-MBSX-SERIAL-P-P1-PTFM](#) [MBX-MBSX-SERIAL-P-P1-A](#)
[MBX-MBMX-SERIAL-P-P1-A](#)