



■ Features :

- Universal AC input / Full range
- AC input active surge current limiting
- Built-in active PFC function
- Protections: Short circuit / Overload / Over voltage / Over temperature
- Built-in constant current limiting circuit
- Current sharing up to 2 units or 2000W
- Built-in remote ON-OFF control
- Built-in remote sense function
- Built-in active current sharing and parallel function
- 3 years warranty

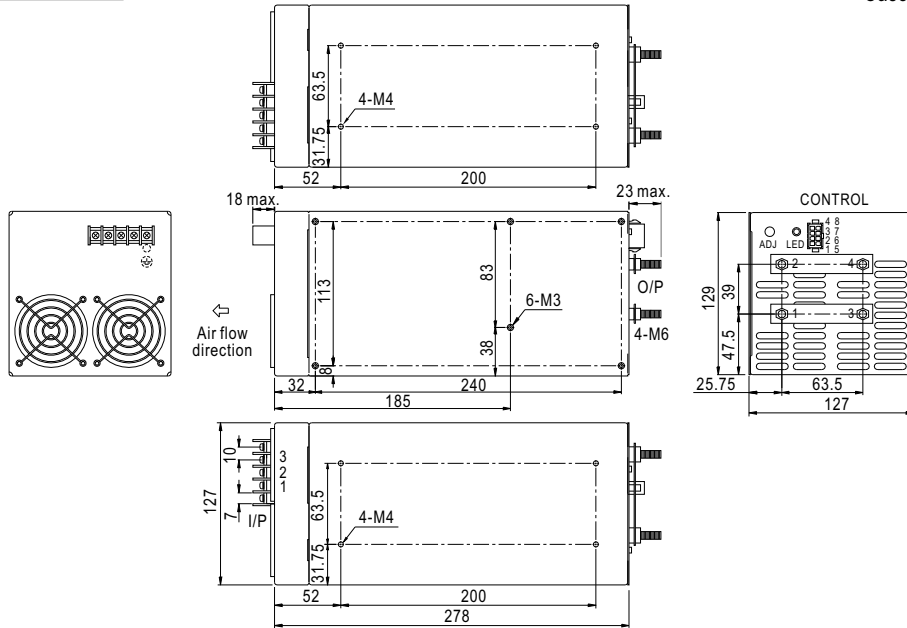


SPECIFICATION

MODEL	PSP-1000-5	PSP-1000-12	PSP-1000-13.5	PSP-1000-15	PSP-1000-24	PSP-1000-27	PSP-1000-48	
OUTPUT	DC VOLTAGE	5V	12V	13.5V	15V	24V	27V	48V
	RATED CURRENT	145A	75A	67A	60A	37.6A	33.6A	19A
	CURRENT RANGE	0 ~ 145A	0 ~ 75A	0 ~ 67A	0 ~ 60A	0 ~ 37.6A	0 ~ 33.6A	0 ~ 19A
	RATED POWER	725W	900W	904.5W	900W	902.4W	907.2W	912W
	PEAK LOAD <small>Note.4</small>	800W	1000W	1000W	1000W	1000W	1000W	1000W
	RIPPLE & NOISE (max.) <small>Note.2</small>	100mVp-p	150mVp-p	150mVp-p	150mVp-p	150mVp-p	150mVp-p	200mVp-p
	VOLTAGE ADJ. RANGE	4.75 ~ 5.5V	10 ~ 13.2V	12 ~ 15V	13.5 ~ 18V	20 ~ 26.4V	24 ~ 30V	41 ~ 56V
	VOLTAGE TOLERANCE <small>Note.3</small>	±6.0%	±3.0%	±2.0%	±2.0%	±1.0%	±1.0%	±1.0%
	LINE REGULATION	±0.5%	±0.3%	±0.3%	±0.3%	±0.2%	±0.2%	±0.2%
	LOAD REGULATION	±2.0%	±0.5%	±0.5%	±0.5%	±0.5%	±0.5%	±0.5%
	SETUP, RISE TIME	1500ms, 50ms/230VAC 1500ms, 50ms/115VAC at full load						
HOLD UP TIME (Typ.)	24ms/230VAC 24ms/115VAC at full load							
INPUT	VOLTAGE RANGE <small>Note.6</small>	90 ~ 264VAC 127 ~ 370VDC						
	FREQUENCY RANGE	47 ~ 63Hz						
	POWER FACTOR (Typ.)	0.96/230VAC 0.96/115VAC at full load						
	EFFICIENCY (Typ.)	77%	84%	84%	84%	85%	86%	86%
	AC CURRENT (Typ.)	11.2A/115AVC 5.6A/230VAC						
	INRUSH CURRENT (Typ.)	32A/115VAC 63A/230VAC						
	LEAKAGE CURRENT	<2mA / 240VAC						
PROTECTION	OVERLOAD	115 ~ 140% rated output power Protection type : Constant current limiting, recovers automatically after fault condition is removed						
	OVER VOLTAGE	5.75 ~ 6.75V	13.8 ~ 16.2V	15.5 ~ 18.2V	18 ~ 21V	27.6 ~ 32.4V	31 ~ 36.5V	57.6 ~ 67.2V
	OVER TEMPERATURE	95°C (TSW1) detect on the heatsink of PFC MOSFET 90°C (TSW2) detect the winding of output choke Protection type : Shut down o/p voltage, recovers automatically after temperature goes down						
FUNCTION	REMOTE CONTROL	RC+/RC-: 0 ~ 0.8V=power on ; 4 ~ 10V=power off sink current <20mA						
ENVIRONMENT	WORKING TEMP.	-10 ~ +60°C (Refer to "Derating Curve")						
	WORKING HUMIDITY	20 ~ 90% RH non-condensing						
	STORAGE TEMP., HUMIDITY	-20 ~ +85°C, 10 ~ 95% RH						
	TEMP. COEFFICIENT	±0.03%/°C (0 ~ 50°C)						
	VIBRATION	10 ~ 500Hz, 2G 10min./1cycle, 60min. each along X, Y, Z axes						
SAFETY & EMC <small>(Note 5)</small>	SAFETY STANDARDS	Design refer to UL60950-1, TUV EN60950-1						
	WITHSTAND VOLTAGE	I/P-O/P:3KVAC I/P-FG:1.5KVAC O/P-FG:0.5KVAC						
	ISOLATION RESISTANCE	I/P-O/P, I/P-FG, O/P-FG:100M Ohms / 500VDC / 25°C / 70% RH						
	EMC EMISSION	Compliance to EN55022 (CISPR22) Class B, EN61000-3-2,-3						
	EMC IMMUNITY	Compliance to EN61000-4-2,3,4,5,6,8,11, EN55024, light industry level, criteria A						
OTHERS	MTBF	59.6K hrs min. MIL-HDBK-217F (25°C)						
	DIMENSION	278*129*127mm (L*W*H)						
	PACKING	5.2Kg; 3pcs/16.3Kg/1.42CUFT						
NOTE	<ol style="list-style-type: none"> 1. All parameters NOT specially mentioned are measured at 230VAC input, rated load and 25°C of ambient temperature. 2. Ripple & noise are measured at 20MHz of bandwidth by using a 12" twisted pair-wire terminated with a 0.1uf & 47uf parallel capacitor. 3. Tolerance : includes set up tolerance, line regulation and load regulation. 4. 10% Duty cycle maximum within every 30 seconds(max.). Average output power should not exceed the rated power. 5. The power supply is considered a component which will be installed into a final equipment. The final equipment must be re-confirmed that it still meets EMC directives. For guidance on how to perform these EMC tests, please refer to "EMI testing of component power supplies." (as available on http://www.meanwell.com) 6. Derating may be needed under low input voltages. Please check the derating curve for more details. 							

Case No. 924A Unit:mm

Mechanical Specification



AC Input Terminal Pin No. Assignment

Pin No.	Assignment
1	AC/L
2	AC/N
3	FG \perp

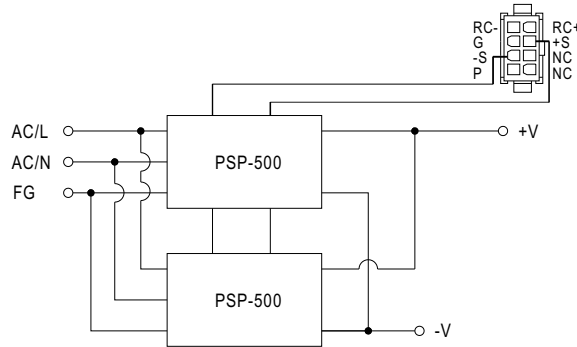
DC Output Terminal Pin No. Assignment

Pin No.	Assignment
1,3	DC OUTPUT +V
2,4	DC OUTPUT -V

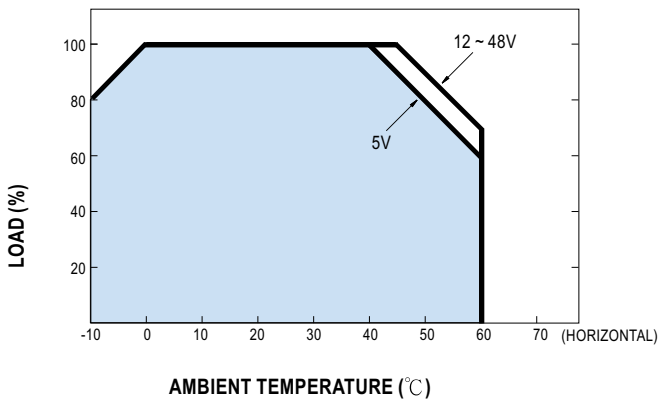
Control Pin No. Assignment : MOLEX 5559-NP uses 5558male crimp terminal

Pin No.	Assignment	Pin No.	Assignment	Mating connector	Terminal
1	P(Current share)	5	NC	MOLEX 5557-NR	MOLEX 5556 Female crimp Terminal receptacle
2	-S	6	NC		
3	G	7	+S		
4	RC-	8	RC+		

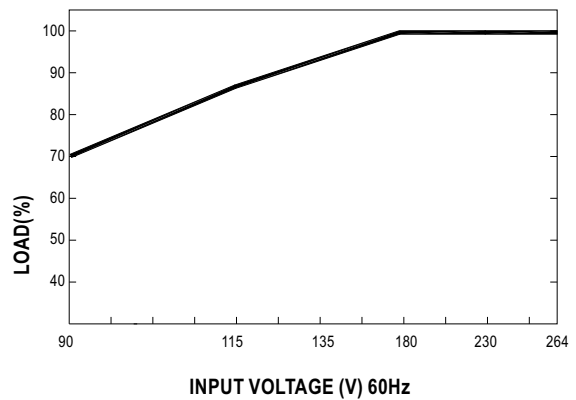
Block Diagram



Derating Curve



Output Derating VS Input Voltage



Mouser Electronics

Authorized Distributor

Click to View Pricing, Inventory, Delivery & Lifecycle Information:

[Mean Well:](#)

[PSP-1000-5](#)

[MEAN WELL:](#)

[PSP-1000-12](#) [PSP-1000-13.5](#) [PSP-1000-15](#) [PSP-1000-24](#) [PSP-1000-27](#) [PSP-1000-48](#)