



■ Features :

- Universal AC input / Full range (up to 280VAC)
- High efficiency 92%
- Protections: Short circuit / Overload / Over voltage / Over temperature
- Built-in active PFC function
- Cooling by free air convection
- OCP point adjustable through output cable or internal potential meter
- Suitable for LED lighting and moving sign applications
- IP65 / IP67 design for indoor or outdoor installations
- Damp / wet location outdoor application
- Compliance to worldwide safety regulations for lighting
- 3 years warranty



CLG-150-12 [A] Blank : IP67 rated. Cable for I/O connection. (Optional)  
 A : IP65 rated. Output voltage and constant current level can be adjusted through internal potential meter.  
 B : IP67 rated. Constant current level adjustable through output cable. (Optional)  
 C : Terminal block for I/O connection. Output voltage and constant current level can be adjusted through internal potential meter. (Optional)

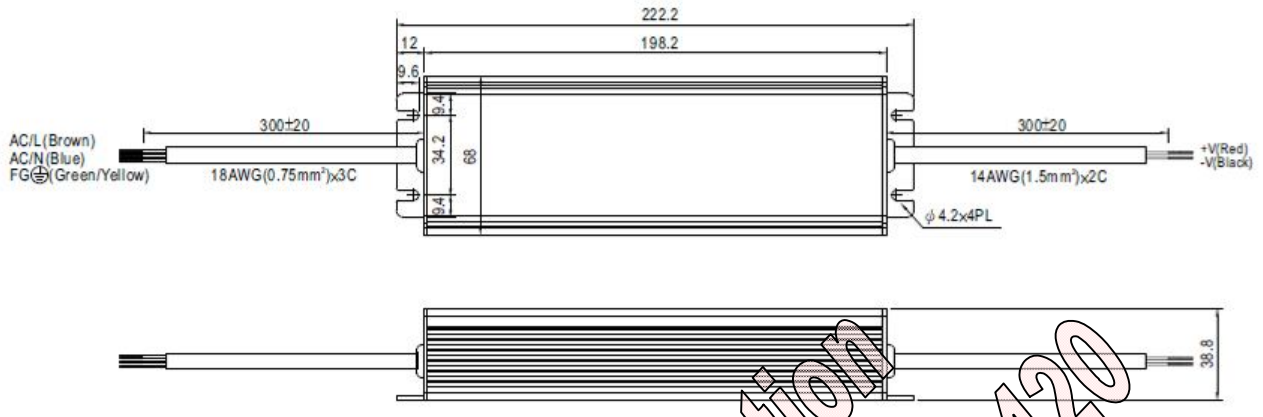
SPECIFICATION

MODEL	CLG-150-12	CLG-150-15	CLG-150-20	CLG-150-24	CLG-150-30	CLG-150-36	CLG-150-48	
OUTPUT	DC VOLTAGE	12V	15V	20V	24V	30V	36V	48V
	CONSTANT CURRENT REGION Note.4	9 ~ 12V	11.25 ~ 15V	15 ~ 20V	18 ~ 24V	22.5 ~ 30V	27 ~ 36V	36 ~ 48V
	RATED CURRENT	11A	9.5A	7.5A	6.3A	5.2A	4.2A	3.2A
	RATED POWER	132W	142.5W	150W	151.2W	156W	151.2W	153.6W
	RIPPLE & NOISE (max.) Note.2	150mVp-p	150mVp-p	150mVp-p	150mVp-p	150mVp-p	150mVp-p	150mVp-p
	VOLTAGE ADJ. RANGE Note.6	9 ~ 13V	13 ~ 17V	17 ~ 22V	18 ~ 24V	22.5 ~ 32V	31 ~ 41V	36 ~ 48V
	CURRENT ADJ. RANGE	Can be adjusted by internal potential meter or through output cable.						
	VOLTAGE TOLERANCE Note.3	±2.0%	±2.0%	±2.0%	±2.0%	±1.0%	±1.0%	±1.0%
	LINE REGULATION	±0.5%	±0.5%	±0.5%	±0.5%	±0.5%	±0.5%	±0.5%
	LOAD REGULATION	±1.0%	±1.0%	±1.0%	±1.0%	±0.5%	±0.5%	±0.5%
INPUT	SETUP, RISE TIME	3000ms, 80ms at full load 230VAC / 230VAC						
	HOLD UP TIME (Typ.)	50ms / 230VAC 16ms / 230VAC						
	VOLTAGE RANGE Note.5	90 ~ 295VAC 127 ~ 415VDC						
	FREQUENCY RANGE	47 ~ 63Hz						
	POWER FACTOR	PF ≥ 0.95 / 230VAC PF ≥ 0.95 / 230VAC at full load and rated output voltage PF ≥ 0.9 at 75 ~ 100% load						
	EFFICIENCY (Typ.)	88% 88% 90% 90% 91% 91% 92%						
	AC CURRENT	2A / 115VAC 1A / 230VAC						
	INRUSH CURRENT(max.)	COLD START / 230VAC						
	LEAKAGE CURRENT	≤ 1mA						
	PROTECTION	OVER CURRENT (Typ.) Note.4	Constant current limiting, recovers automatically after fault condition is removed					
SHORT CIRCUIT		No damage, recovers automatically after fault condition is removed						
OVER VOLTAGE		33 ~ 36V	42 ~ 48V	57 ~ 65V	33 ~ 36V	42 ~ 48V	57 ~ 65V	33 ~ 36V
OVER TEMPERATURE		Protection type: Shut down and auto-off output voltage, re-power on to recover						
ENVIRONMENT	WORKING TEMP. Note.7	-30 ~ +55°C @ full load, +40 ~ 60°C @ 50% load						
	WORKING HUMIDITY	20 ~ 95% RH non-condensing						
	STORAGE TEMP, HUMIDITY	-40 ~ +80°C, 10 ~ 95% RH						
	SHOCK RESISTANCE	±0.03% / 2000°C						
SAFETY & EMC	VIBRATION	10 ~ 50Hz, 0.5g, 1/cycle, period for 72min, each along X, Y, Z axes						
	SAFETY STANDARDS Note.9	UL1950, EN60950-1, EN61347-2-13 independent (except for CLG-150 C type); UL60950-1, TUV EN60950-1 (TBD)						
	WITHSTAND VOLTAGE	I/P-O/P: 500VAC I/P-FG: 1.88KVAC O/P-FG: 0.5KVAC						
	ISOLATION RESISTANCE	I/P-O/P, I/P-FG, O/P-FG: 100M Ohms / 500VDC / 25°C / 70% RH						
	EMI CONDUCTION & RADIATION	Compliance to EN55015, EN55022 (CISPR22) Class B						
	HARMONIC CURRENT	Compliance to EN61000-3-2 Class C (≥ 75% load); EN61000-3-3						
OTHERS	EMS IMMUNITY	Compliance to EN61000-4-2, 3, 4, 5, 6, 8, 11; ENV50204, EN61547, EN55024, light industry level (surge 4KV), criteria A						
	MTBF	303.7Khrs min. MIL-HDBK-217F (25°C)						
	DIMENSION	22.2*68*38.8mm (L*W*H)(CLG-150-Blank/A/B)			22.9*68*38.8mm (L*W*H)(CLG-150-C)			
NOTE	PACKING	1.0Kg; 12pcs/13Kg/0.49CUFT (CLG-150-Blank/A/B)			1Kg; 12pcs/13Kg/0.96CUFT (CLG-150-C)			
	<p>1. All parameters NOT specially mentioned are measured at 230VAC input, rated load and 25°C of ambient temperature.</p> <p>2. Setup time are measured at 20MHz of bandwidth by using a 12" twisted pair-wire terminated with a 0.1uf &amp; 4.7uf parallel capacitor.</p> <p>3. Temperature : includes set up tolerance, line regulation and load regulation.</p> <p>4. Constant current operation region is within 75% ~ 100% rated output voltage. This is the suitable operation region for LED related applications, but please reconfirm special electrical requirements for some specific system design.</p> <p>5. Derating may be needed under low input voltages. Please check the derating curve for more details.</p> <p>6. Type A and type C only.</p> <p>7. Please refer to derating curve.</p> <p>8. Please refer to OLP characteristics.</p> <p>9. Safety and EMC design refer to EN60598-1, subject 8750(UL), CNS15233, GB7000.1, FCC part18.</p> <p>10. The power supply is considered as a component that will be operated in combination with final equipment. Since EMC performance will be affected by the complete installation, the final equipment manufacturers must re-qualify EMC Directive on the complete installation again.</p>							

**Mechanical Specification**

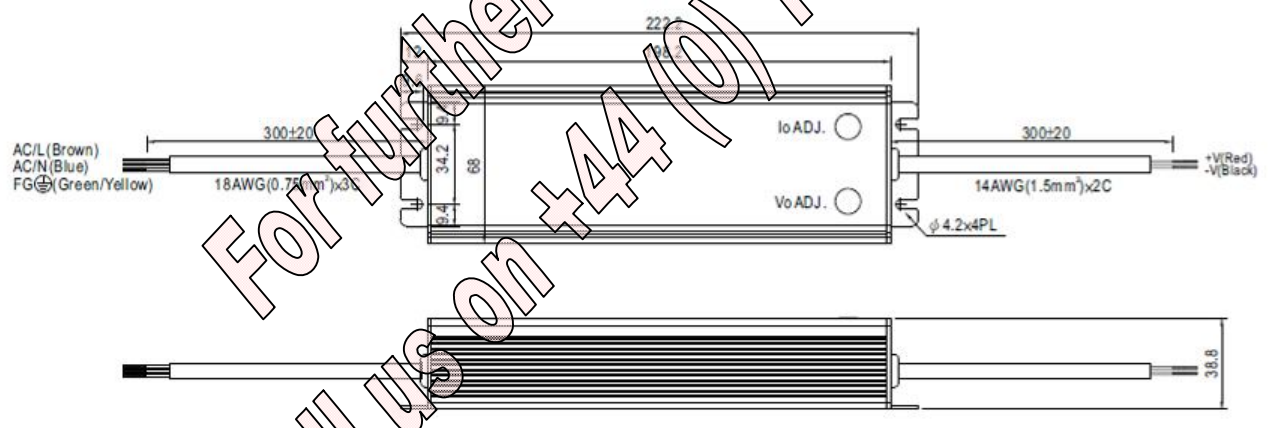
Case No. 954A Unit:mm

Blank:(CLG-150)



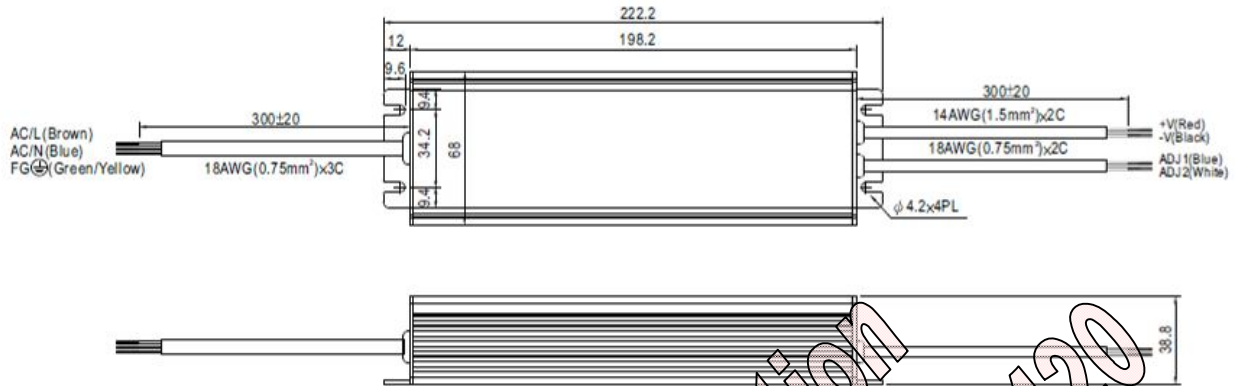
※IP67 rated. Cable for I/O connection.

A Type:(CLG-150\_A)



※ IP65 rated. Output voltage and constant current level can be adjusted through internal potential meter.  
(Can access by removing the rubber stopper on the case.)

**B Type:(CLG-150\_B)**



- ※ IP67 rated. Output constant current level can be adjusted through output terminals by connecting a resistor between ADJ1 and ADJ2.
- ※ Reference resistance value for output current adjustment (Typical)

Resistance	Percentage of rated current
Open	Slightly > 100%
4.7KΩ	100%
620Ω	75%
82Ω	50%
Short	Slightly < 50%

**C Type:(CLG-150\_C)**



**AC Input Terminal Pin No. Assignment**

Pin No.	Assignment
1	FG $\perp$
2	AC/N
3	AC/L

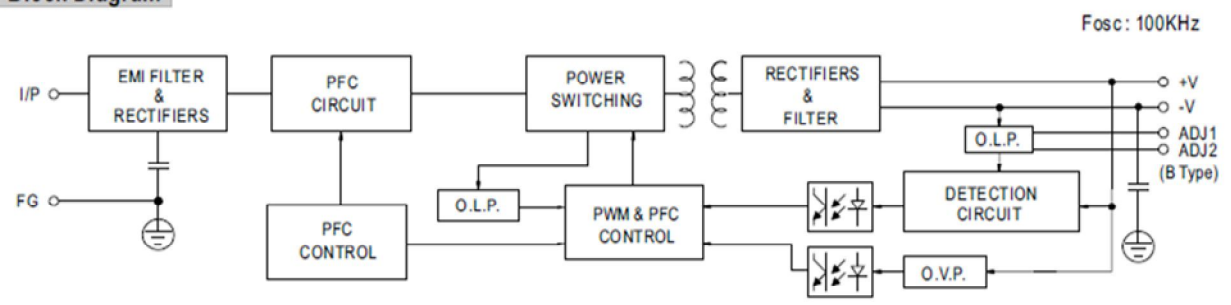
**DC Output Terminal Pin No. Assignment**

Pin No.	Assignment
1	+V
2	-V

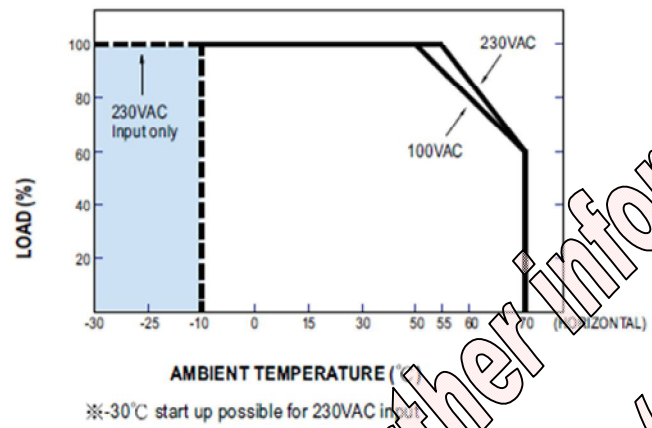
- ※ Output voltage and constant current level can be adjusted through internal potential meter. (Can access by removing the rubber stopper on the case.)



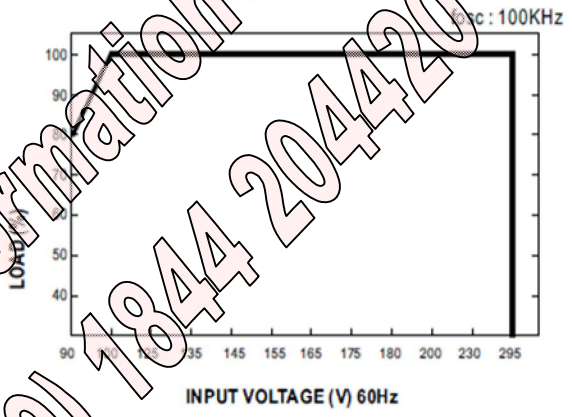
■ Block Diagram



■ Derating Curve



■ Static Characteristics



For further information  
call us on +44 (0) 1844 204420

# Mouser Electronics

Authorized Distributor

Click to View Pricing, Inventory, Delivery & Lifecycle Information:

## Mean Well:

[CLG-150-30A](#) [CLG-150-20A](#) [CLG-150-36A](#) [CLG-150-24A](#) [CLG-150-12A](#) [CLG-150-15A](#) [CLG-150-48A](#) [CLG-150-48C](#) [CLG-150-20](#) [CLG-150-12](#) [CLG-150-12B](#) [CLG-150-12C](#) [CLG-150-15](#) [CLG-150-15B](#) [CLG-150-15C](#) [CLG-150-20B](#) [CLG-150-20C](#) [CLG-150-24](#) [CLG-150-24B](#) [CLG-150-24C](#) [CLG-150-30](#) [CLG-150-30B](#) [CLG-150-30C](#) [CLG-150-36](#) [CLG-150-36B](#) [CLG-150-36C](#) [CLG-150-48](#) [CLG-150-48B](#)