

IF series

Sealed pushbutton switches
with \varnothing 25 mm actuator • bushing dia. 16 mm



DISTINCTIVE FEATURES

- Can be operated with gloved hands
- Snap-in and threaded bushing models
- Resistant to frost
- Sealed to IP54 or IP67



ENVIRONMENTAL SPECIFICATIONS

- Front panel sealing (switches mounted on panel) :
 - IP67 (threaded bushing models)
 - IP54 (snap-in models)
- Operating temperature : -20 °C to +85 °C (-4 °F to +185 °F)



ELECTRICAL SPECIFICATIONS

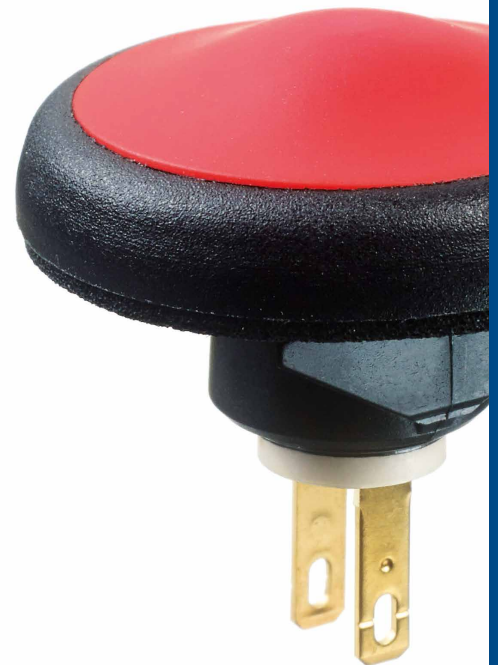
- Max. current/voltage rating with resistive load :
 - 400 mA 32 VAC - 100 mA 48 VDC
- Initial contact resistance : 50 m Ω max.
- Insulation resistance : 1 G Ω min. at 500 VDC
- Dielectric strength : 1,000 VAC rms. between terminals and frame
1,500 VAC between terminals
- Electrical life at full load : 500,000 cycles



GENERAL SPECIFICATIONS

- Panel thickness :
 - Snap-in models : 0.8 mm (.031) min. - 2.5 mm (.098) max.
 - Threaded bushing models : 0.8 mm (.031) min. - 5 mm (.196) max.
- Total travel : 4 mm (.157)
- Typical operating force : 6.5 N \pm 2 N
- Low level or mechanical life : 1,000,000 cycles
- Torque : 1.5 Nm max. applied to nut
- Soldering : 320 °C (608 °F) max. for 3 seconds

The company reserves the right to change specifications without notice.



MATERIALS

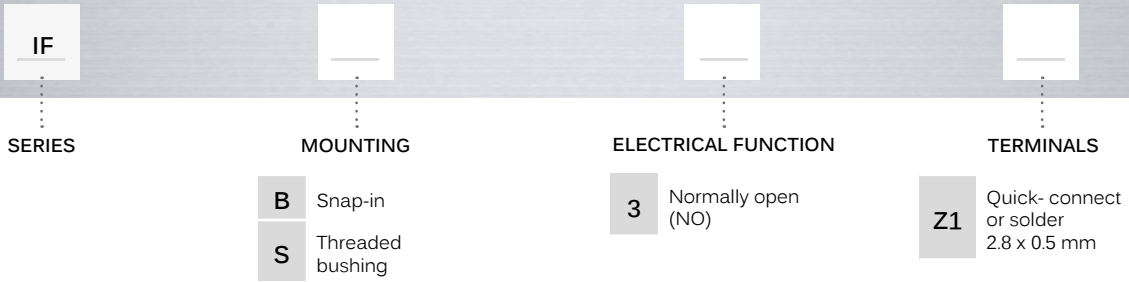
- Case : thermoplastic UL94-V0
- Actuator : polyamide 12, rubber filled
- Bushing/bezel : polyamide 6/6
- Contacts : solid silver, gold plated
- Terminal seal : epoxy

IF series

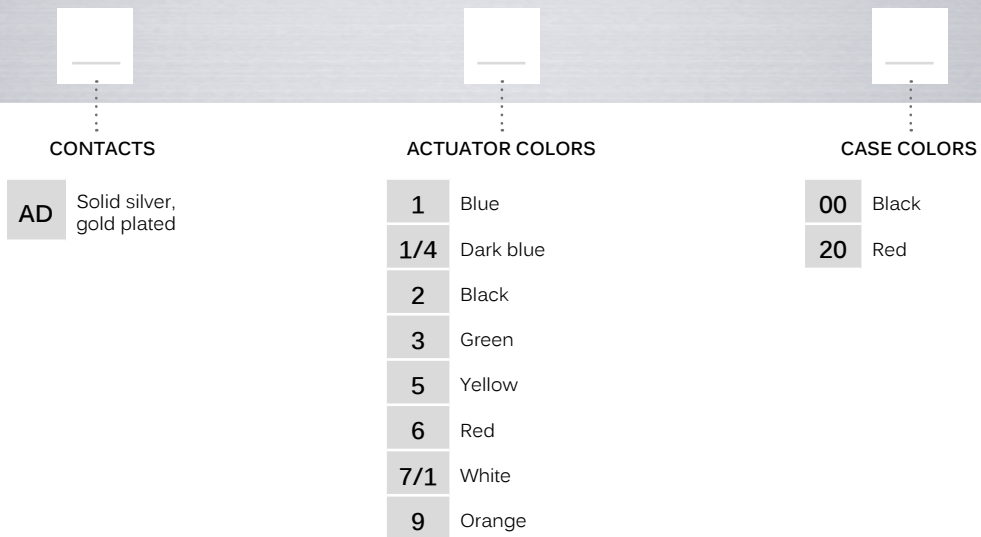
Sealed pushbutton switches
with Ø 25 mm actuator • bushing dia. 16 mm

BUILD YOUR PART NUMBER

BASIC PART NUMBER



OPTIONS

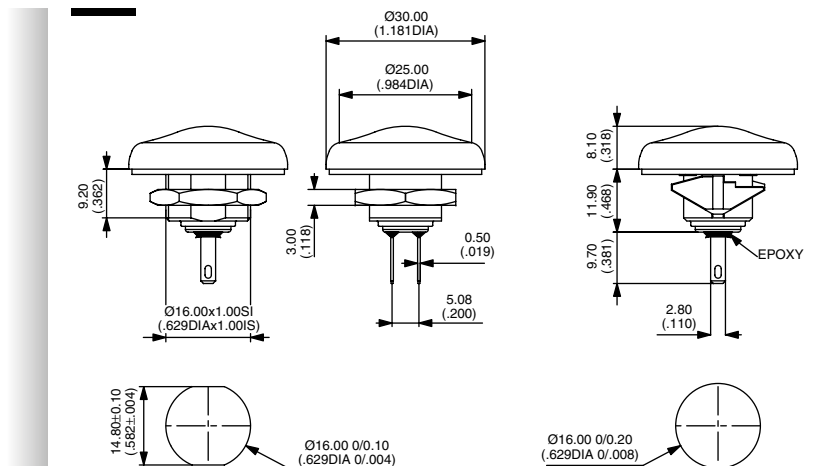
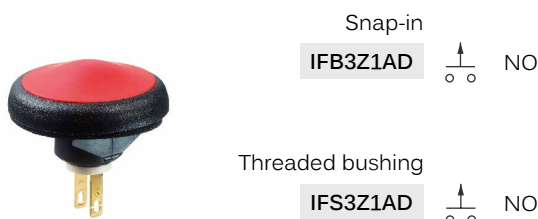


Grey RAL7040 : on request

ABOUT THIS SERIES

Mounting accessories : Standard hardware supplied : 1 flat seal (IFB series), 1 flat seal and 1 hex nut 19 mm (.748) across flats (IFS series) . Hex nut part number : 10-621.

MODELS



Mouser Electronics

Authorized Distributor

Click to View Pricing, Inventory, Delivery & Lifecycle Information:

[Apem:](#)

[IFB3Z1AD100](#) [IFS3Z1AD300](#) [IFB3Z1AD200](#) [IFS3Z1AD900](#) [IFS3Z1AD200](#) [IFS3Z1AD600](#) [IFB3Z1AD220](#)
[IFS3Z1AD100](#) [IFS3Z1AD500](#) [IFB3Z1AD500](#) [IFB3Z1AD600](#) [IFB3Z1AD300](#) [IFS3Z1AD7/100](#)